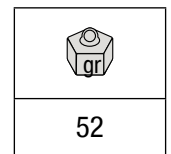




341 Mini Postrite® Level Post, Pipe and Sign Level

FEATURES

- Convenient, compact size with 3 easy to-read vials
- Powerful magnetic strips for metal surfaces
- Adjustable elastic strap for non-magnetic surfaces
- Nail hole for mounting to wooden posts
- Polymer body is durable, lightweight, and scratchproof

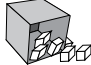









Available in 12 piece display

LEVELS

341 Mini Postrite® Level Post, Pipe and Sign Level

| |  unit |  in/cm |  ft ³ /m ³ |  lb/kg |  EAN |  UPC |
|------------------------|--|---|--|---|---|---|
| 341 Card | 10 pcs carton | 30 x 12.5 x 15 cm 12" x 5" x 6" | 0.0056m ³ 0.0003ft ³ | 0.9 kg 2 lb | 7290100845752 | 739632721433 |
| 341 12 pcs. Display | 12 pcs per display | 22 x 22 x 8.5 cm 8.7" x 8.7" x 3.3" | 0.004m ³ 0.0002ft ³ | 0.75 kg 1.65 lb | 7290100845752 | 739632721440 |

