

**Інструмент  
не призначений  
для професійного  
використання.**

???????

Переклад оригінальних інструкцій

[www.blackanddecker.eu](http://www.blackanddecker.eu)

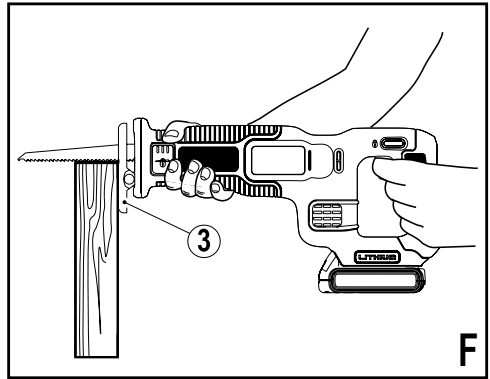
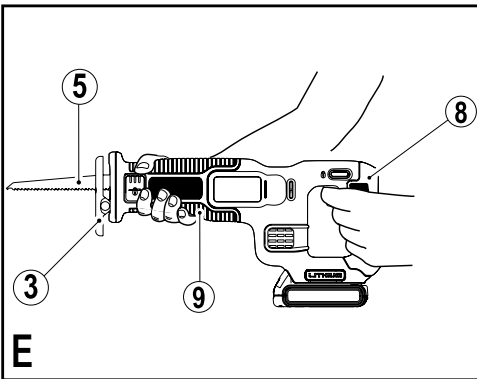
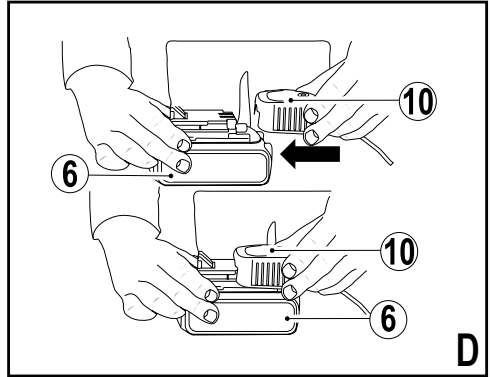
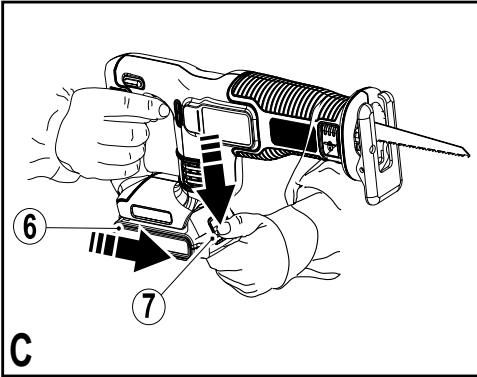
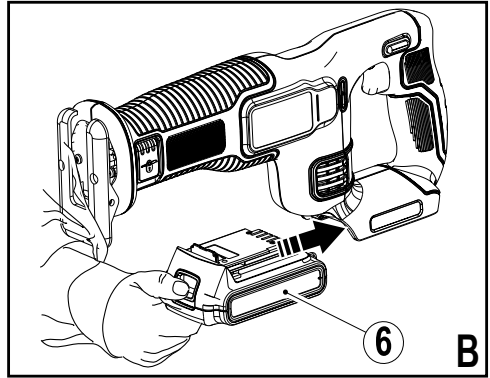
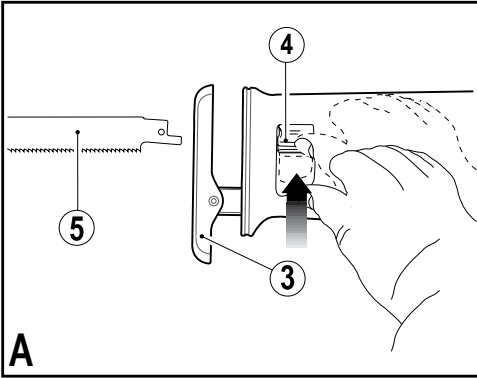
**BDCR18**

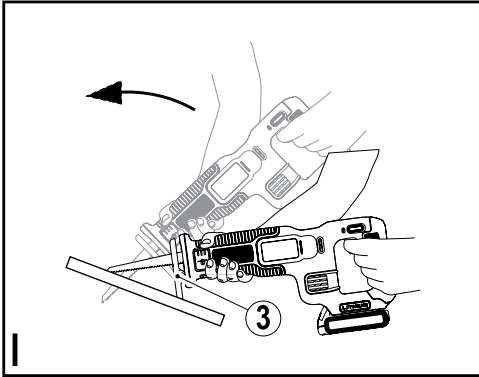
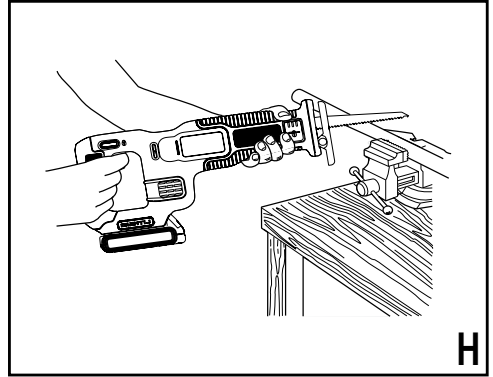
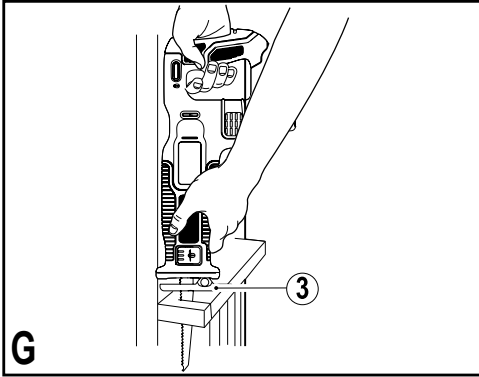
**English (original instructions)**

**5**

**Українська (переклад оригінальних інструкцій)**

**13**







## Intended use

Your BLACK+DECKER BDCR18 - Reciprocating Saw has been designed for sawing wood, plastics and sheet metal. This tool is intended for consumer use only.

## Safety instructions

### General power tool safety warnings



**Warning!** Read all safety warnings and all instructions. Failure to follow the warnings and instructions listed below may result in electric shock, fire and/or serious injury.

**Save all warnings and instructions for future reference.** The term “power tool” in all of the warnings listed below refers to your mains operated (corded) power tool or battery operated (cordless) power tool.

#### 1. Work area safety

- a. **Keep work area clean and well lit.** Cluttered or dark areas invite accidents.
- b. **Do not operate power tools in explosive atmospheres, such as in the presence of flammable liquids, gases or dust.** Power tools create sparks which may ignite the dust or fumes.
- c. **Keep children and bystanders away while operating a power tool.** Distractions can cause you to lose control.

#### 2. Electrical safety

- a. **Power tool plugs must match the outlet. Never modify the plug in any way. Do not use any adapter plugs with earthed (grounded) power tools.** Unmodified plugs and matching outlets will reduce risk of electric shock.
- b. **Avoid body contact with earthed or grounded surfaces such as pipes, radiators, ranges and refrigerators.** There is an increased risk of electric shock if your body is earthed or grounded.
- c. **Do not expose power tools to rain or wet conditions.** Water entering a power tool will increase the risk of electric shock.
- d. Do not abuse the cord. Never use the cord for carrying, pulling or unplugging the power tool. **Keep cord away from heat, oil, sharp edges or moving parts.** Damaged or entangled cords increase the risk of electric shock.

- e. **When operating a power tool outdoors, use an extension cord suitable for outdoor use.** Use of a cord suitable for outdoor use reduces the risk of electric shock.
- f. **If operating a power tool in a damp location is unavoidable, use a residual current device (RCD) protected supply.** Use of an RCD reduces the risk of electric shock.

#### 3. Personal safety

- a. **Stay alert, watch what you are doing and use common sense when operating a power tool. Do not use a power tool while you are tired or under the influence of drugs, alcohol or medication.** A moment of inattention while operating power tools may result in serious personal injury.
- b. **Use personal protective equipment. Always wear eye protection.** Protective equipment such as dust mask, non-skid safety shoes, hard hat, or hearing protection used for appropriate conditions will reduce personal injuries.
- c. **Prevent unintentional starting. Ensure the switch is in the off-position before connecting to power source and/or battery pack, picking up or carrying the tool.** Carrying power tools with your finger on the switch or energising power tools that have the switch on invites accidents.
- d. **Remove any adjusting key or wrench before turning the power tool on.** A wrench or a key left attached to a rotating part of the power tool may result in personal injury.
- e. **Do not overreach. Keep proper footing and balance at all times.** This enables better control of the power tool in unexpected situations.
- f. **Dress properly. Do not wear loose clothing or jewellery. Keep your hair, clothing and gloves away from moving parts.** Loose clothes, jewellery or long hair can be caught in moving parts.
- g. **If devices are provided for the connection of dust extraction and collection facilities, ensure these are connected and properly used.** Use of dust collection can reduce dust-related hazards.

## 4. Power tool use and care

- a. **Do not force the power tool. Use the correct power tool for your application.** The correct power tool will do the job better and safer at the rate for which it was designed.
- b. **Do not use the power tool if the switch does not turn it on and off.** Any power tool that cannot be controlled with the switch is dangerous and must be repaired.
- c. **Disconnect the plug from the power source and/or the battery pack from the power tool before making any adjustments, changing accessories, or storing power tools.** Such preventive safety measures reduce the risk of starting the power tool accidentally.
- d. **Store idle power tools out of the reach of children and do not allow persons unfamiliar with the power tool or these instructions to operate the power tool.** Power tools are dangerous in the hands of untrained users.
- e. **Maintain power tools. Check for misalignment or binding of moving parts, breakage of parts and any other condition that may affect the power tools operation. If damaged, have the power tool repaired before use.** Many accidents are caused by poorly maintained power tools.
- f. **Keep cutting tools sharp and clean.** Properly maintained cutting tools with sharp cutting edges are less likely to bind and are easier to control.
- g. **Use the power tool, accessories and tool bits etc. in accordance with these instructions, taking into account the working conditions and the work to be performed.** Use of the power tool for operations different from those intended could result in a hazardous situation.

## 5. Battery tool use and care

- a. **Recharge only with the charger specified by the manufacturer.** A charger that is suitable for one type of battery pack may create a risk of fire when used with another battery pack.
- b. **Use power tools only with specifically designated battery packs.** Use of any other battery packs may create a risk of injury and fire.
- c. **When battery pack is not in use, keep it away from other metal objects, like paper clips, coins, keys, nails, screws, or other small metal objects, that can make**

**a connection from one terminal to another.**

Shorting the battery terminals together may cause burns or a fire.

- d. **Under abusive conditions, liquid may be ejected from the battery; avoid contact. If contact accidentally occurs, flush with water. If liquid contacts eyes, additionally seek medical help.** Liquid ejected from the battery may cause irritation or burns.

## 6. Service

- a. **Have your power tool serviced by a qualified repair person using only identical replacement parts.** This will ensure that the safety of the power tool is maintained.

## Additional power tool safety warnings



**Warning!** Additional safety warnings for hand-held saws

- ◆ **Hold power tool by insulated gripping surfaces when performing an operation where the cutting accessory may contact hidden wiring.** Cutting accessory contacting a “live” wire may make exposed metal parts of the power tool “live” and could give the operator an electric shock.
- ◆ **Hold power tool by insulated gripping surfaces, when performing an operation where the fastener may contact hidden wiring.** Fasteners contacting a “live” wire may make exposed metal parts of the power tool “live” and could give the operator an electric shock.
- ◆ **Use clamps or another practical way to secure and support the workpiece to a stable platform.** Holding the work by hand or against your body leaves it unstable and may lead to loss of control.
- ◆ **Keep hands away from cutting area.** Never reach underneath the work piece any reason. Do not insert fingers or thumb into the vicinity of the reciprocating blade and blade clamp. Do not stabilize the saw by gripping the shoe. Do not stabilize the saw by gripping the shoe.
- ◆ **Keep blades sharp.** Dull or damaged blades may cause the saw to swerve or stall under pressure. Always use the appropriate type of saw blade for the workpiece material and type of cut.
- ◆ **When cutting pipe or conduit, make sure that they are free from water, electrical wiring, etc.**

- ◆ **Do not touch the workpiece or the blade immediately after operating the tool.** They can become very hot.
- ◆ **Be aware of hidden hazards, before cutting into walls, floors or ceilings, check for the location of wiring and pipes.**
- ◆ **The blade will continue to move after releasing the switch.** Always switch the tool off and wait for the saw blade to come to a complete standstill before putting the tool down.

**Warning!** The vibration emission value during actual use of the power tool can differ from the declared value depending on the ways in which the tool is used. The vibration level may increase above the level stated.

- ◆ The intended use is described in this instruction manual. The use of any accessory or attachment or performance of any operation with this tool other than those recommended in this instruction manual may present a risk of personal injury and/or damage to property.

### Safety of others

- ◆ This appliance is not intended for use by persons (including children) with reduced physical, sensory or mental capabilities, or lack of experience and knowledge, unless they have been given supervision or instruction concerning use of the appliance by a person responsible for their safety.
- ◆ Children should be supervised to ensure that they do not play with the appliance.

### Residual risks.

Additional residual risks may arise when using the tool which may not be included in the enclosed safety warnings.

These risks can arise from misuse, prolonged use etc.

Even with the application of the relevant safety regulations and the implementation of safety devices, certain residual risks can not be avoided. These include:

- ◆ Injuries caused by touching any rotating/moving parts.
- ◆ Injuries caused when changing any parts, blades or accessories.
- ◆ Injuries caused by prolonged use of a tool. When using any tool for prolonged periods ensure you take regular breaks.

- ◆ Impairment of hearing.
- ◆ Health hazards caused by breathing dust developed when using your tool (example:- working with wood, especially oak, beech and MDF.)

### Vibration

The declared vibration emission values stated in the technical data and the declaration of conformity have been measured in accordance with a standard test method provided by EN 60745 and may be used for comparing one tool with another. The declared vibration emission value may also be used in a preliminary assessment of exposure.

**Warning!** The vibration emission value during actual use of the power tool can differ from the declared value depending on the ways in which the tool is used. The vibration level may increase above the level stated.

When assessing vibration exposure to determine safety measures required by 2002/44/EC to protect persons regularly using power tools in employment, an estimation of vibration exposure should consider, the actual conditions of use and the way the tool is used, including taking account of all parts of the operating cycle such as the times when the tool is switched off and when it is running idle in addition to the trigger time.

### Labels on tool

The following symbols are shown on the tool along with the date code:



**Warning!** To reduce the risk of injury, the user must read the instruction manual.

### Additional safety instructions for batteries and chargers (Not provided with the tool)

#### Batteries

- ◆ Never attempt to open for any reason.
- ◆ Do not expose the battery to water.
- ◆ Do not store in locations where the temperature may exceed 40 °C.
- ◆ Charge only at ambient temperatures between 10 °C and 40 °C.
- ◆ Charge only using the charger provided with the tool.
- ◆ When disposing of batteries, follow the instructions given in the section "Protecting the environment".



Do not attempt to charge damaged batteries.

## Chargers

- ◆ Use your BLACK+DECKER charger only to charge the battery in the tool with which it was supplied. Other batteries could burst, causing personal injury and damage.
- ◆ Never attempt to charge non-rechargeable batteries.
- ◆ Have defective cords replaced immediately.
- ◆ Do not expose the charger to water.
- ◆ Do not open the charger.
- ◆ Do not probe the charger.



The charger is intended for indoor use only.



Read the instruction manual before use.

## Electrical safety



Your charger is double insulated; therefore no earth wire is required. Always check that the mains voltage corresponds to the voltage on the rating plate. Never attempt to replace the charger unit with a regular mains plug.

- ◆ If the supply cord is damaged, it must be replaced by the manufacturer or an authorised BLACK+DECKER Service Centre in order to avoid a hazard.

## Features

This tool includes some or all of the following features.

1. On/Off switch
2. Lock-off button
3. Shoe
4. Blade clamp release lever
5. Blade
6. Battery (where supplied)
7. Battery release button
8. Main handle
9. Secondary gripping handle

## Figure D (where supplied)

10. Charger

## Assembly

**Warning!** Before assembly, remove the battery from the tool and make sure that the saw blade has stopped. Used saw blades may be hot.

### Fitting the saw blade (fig. A)

- ◆ Hold the tool away from the body.
- ◆ Open the blade clamp release lever (4) to the full open position.
- ◆ Insert blade shank from the front.
- ◆ Close blade clamp release lever (4). Check to make sure the blade (5) is clamped securely.

**Note:** The blade can be installed with the teeth up to assist in flush cutting (fig. G).

### Removing the saw blade

**Warning!** Do not touch the blade immediately after use. Used saw blades may be hot.

- ◆ Open the blade clamp release lever (4) to the full open position.
- ◆ Remove the blade.

### Lock-off button

The tool is equipped with a switch lock-off feature to prevent unintentional operation.

- ◆ To switch the tool on, press the lock-off button (2) then squeeze the on/off switch (1).
- ◆ Releasing the on/off switch (1) turns the tool off.

### Fitting and removing the battery (fig. B & C)

- ◆ To fit the battery (6), line it up with the receptacle on the tool. Slide the battery into the receptacle and push until the battery snaps into place (fig. B).
- ◆ To remove the battery (6), push the battery release button (7) while at the same time pulling the battery out of the receptacle on the tool (fig. C).

## Use

**Warning!** Let the tool work at its own pace. Do not overload.

### Charging the battery (Fig. D)

The battery needs to be charged before first use and whenever it fails to produce sufficient power on jobs that were easily done before. The battery may become warm while charging; this is normal and does not indicate a problem.

**Warning!** Do not charge the battery at ambient temperatures below 10 °C or above 40 °C. Recommended charging temperature: approx. 24 °C.

**Note:** The charger will not charge a battery if the cell temperature is below approximately 10 °C or above 40 °C.

**The battery should be left in the charger and the charger will begin to charge automatically when the cell temperature warms up or cools down.**

- ◆ To charge the battery (6), insert it into the charger (10). The battery will only fit into the charger in one way. Do not force. Be sure that the battery is fully seated in the charger.
- ◆ Plug in the charger and switch on at the mains.

The green charging indicator will flash.

The charge is complete when the green charging indicator switches to continuously on. The charger and the battery can be left connected indefinitely.

The green charging indicator will flash as the charger occasionally tops up the battery charge.

- ◆ Charge discharged batteries within 1 week. Battery life will be greatly diminished if stored in a discharged state.

### Leaving the battery in the charger

The charger and battery pack can be left connected with the green charging indicator glowing indefinitely. The charger will keep the battery pack fresh and fully charged.

### Switching on and off

- ◆ To switch the tool on, press the lock-off button (2) then squeeze the on/off switch (1).
- ◆ To switch the tool off, release the on/off switch (1).

### Sawing (fig. E)

- ◆ Always hold the tool with both hands (fig. E).
- ◆ Let the blade (5) run freely for a few seconds before starting the cut.
- ◆ Apply only a gentle pressure to the tool while performing the cut.
- ◆ If possible, work with the shoe (3) pressed against the workpiece. This will improve tool control and reduce tool vibration, as well as prevent the blade from being damaged.

### Hints for optimum use

#### Sawing wood (fig. F)

- ◆ Clamp the workpiece securely and remove all nails and metal objects.
- ◆ Holding the tool with both hands, work with the shoe (3) pressed against the workpiece.

### Flush cutting (fig. G)

The compact design of the reciprocating saw motor housing and pivoting shoe (3) permit close cutting to floors, corners and other difficult areas.

To maximize flush cutting capabilities:

- ◆ Insert the blade shaft into the blade clamp with the teeth of the blade facing up.
- ◆ Adjust the angle of the handle on the tool so you are as close to the work surface as possible.

### Sawing metal (fig. H)

- ◆ Use a saw blade suitable for sawing metal. Use a fine-tooth saw blade for ferrous metals and a coarser saw blade for non-ferrous metals.
- ◆ When cutting thin sheet metal, clamp a piece of scrap wood to the back surface of the workpiece and cut through this sandwich.
- ◆ Spread a film of oil along the intended line of cut.

### Pocket cutting in wood (fig. I)

- ◆ Measure and mark the required pocket cut.
- ◆ Fit a saw blade suitable for pocket cutting.
- ◆ Rest the shoe (3) on the workpiece in such a position that the blade forms an appropriate angle for the pocket cut.
- ◆ Switch on the tool and slowly feed the blade into the workpiece. Make sure that the shoe (3) remains in contact with the workpiece at all times.

### Cutting branches

Branches up to 25 mm in diameter can be cut with this tool.

**Warning!** Do not use the tool while in a tree, on a ladder or on any other unstable surface. Be aware of where the branch will fall.

- ◆ Cut downward and away from your body.
- ◆ Make the cut close to the main branch or tree body.

### Vertical cutting

The tool allows close cutting to corners and other difficult areas.

- ◆ Insert the shank of the saw blade into the blade holder with the teeth of the blade facing upward.
- ◆ Hold the tool with the shoe (3) facing downward so that you are as close to the work surface as possible.
- ◆ Cut forward and away from your body.

## Accessories

The performance of your tool depends on the accessory used.

BLACK+DECKER accessories are engineered to high quality standards and designed to enhance the performance of your tool. By using these accessories you will get the very best from your tool.

## Blades

The saw will accept a blade up to 30 cm long. Always use the shortest blade suitable for your project but long enough to keep the blade cutting through the material. Longer blades are more likely to be bent or damaged during use. During operation some longer blades may vibrate or shake if the saw is not kept in contact with the workpiece.

## Maintenance

Your BLACK+DECKER tool has been designed to operate over a long period of time with a minimum of maintenance. Continuous satisfactory operation depends upon proper tool care and regular cleaning.

Your charger does not require any maintenance apart from regular cleaning.

**Warning!** Before performing any maintenance on the tool, remove the battery from the tool. Unplug the charger before cleaning it.

- ◆ Regularly clean the ventilation slots in your tool and charger using a soft brush or dry cloth.
- ◆ Regularly clean the motor housing using a damp cloth. Do not use any abrasive or solvent-based cleaner.
- ◆ Regularly open the chuck and tap it to remove any dust from the interior.

## Protecting the environment



Separate collection. This product must not be disposed of with normal household waste.

Should you find one day that your BLACK+DECKER product needs replacement, or if it is of no further use to you, do not dispose of it with household waste. Make this product available for separate collection.



Separate collection of used products and packaging allows materials to be recycled and used again.

Re-use of recycled materials helps prevent environmental pollution and reduces the demand for raw materials.

Local regulations may provide for separate collection of electrical products from the household, at municipal waste sites or by the retailer when you purchase a new product.

BLACK+DECKER provides a facility for the collection and recycling of BLACK+DECKER products once they have reached the end of their working life. To take advantage of this service please return your product to any authorised repair agent who will collect them on our behalf.

You can check the location of your nearest authorised repair agent by contacting your local BLACK+DECKER office at the address indicated in this manual. Alternatively, a list of authorised BLACK+DECKER repair agents and full details of our after-sales service and contacts are available on the Internet at: [www.2helpU.com](http://www.2helpU.com)

## Batteries



There are no user serviceable parts inside.

- ◆ At the end of your products life return the whole unit to your service agent or to a local recycling station to have the battery recycled. Do not throw the unit out with household waste.

**Technical data**

BDCR18 (H1)		
Input voltage	V <sub>DC</sub>	18
No-load speed	Min <sup>-1</sup>	0-3000
Stroke length	mm	22
Weight	kg	1.5

Charger	905902** Type 2	905998** Type 1	
Input voltage	V <sub>AC</sub>	100-240	230
Output voltage	V <sub>DC</sub>	8-20	18
Current	mA	400	1
Approx. charge time	Hours	3 - 5	1 - 5

Battery	BL1518	BL2018	BL4018	
Voltage	V <sub>DC</sub>	18	18	
Capacity	Ah	1.5	2.0	4.0
Type	Li-Ion	Li-Ion	Li-Ion	

Level of sound pressure according to EN 60745:	
Sound pressure (L <sub>PA</sub> )	79.5 dB(A), uncertainty (K) 3 dB(A)
Sound power (L <sub>WA</sub> )	90.5 dB(A), uncertainty (K) 3 dB(A)

Vibration total values (triax vector sum) according to EN 60745:	
Cutting boards (a <sub>h,B</sub> )	17.9 m/s <sup>2</sup> , uncertainty (K) 1.5 m/s <sup>2</sup>
Cutting wooden beams (a <sub>h,WB</sub> )	19.7 m/s <sup>2</sup> , uncertainty (K) 1.5 m/s <sup>2</sup>

**EC declaration of conformity**  
MACHINERY DIRECTIVE



BDCR18 - Reciprocating Saw

Black & Decker declares that these products described under "technical data" are in compliance with:

2006/42/EC, EN 60745-1, EN 60745-2-11

These products also comply with Directive 2004/108/EC (until 19/04/2016) 2014/30/EU (from 20/04/2016) and 2011/65/EU. For more information, please contact Black & Decker at the following address or refer to the back of the manual.

The undersigned is responsible for compilation of the technical file and makes this declaration on behalf of Black & Decker.

R. Laverick  
Engineering Manager  
Black & Decker Europe, 210 Bath Road, Slough,  
Berkshire, SL1 3YD  
United Kingdom  
24/03/2015

## Guarantee

Black & Decker is confident of the quality of its products and offers an outstanding guarantee. This guarantee statement is in addition to and in no way prejudices your statutory rights. The guarantee is valid within the territories of the Member States of the European Union and the European Free Trade Area.

If a Black & Decker product becomes defective due to faulty materials, workmanship or lack of conformity, within 24 months from the date of purchase, Black & Decker guarantees to replace defective parts, repair products subjected to fair wear and tear or replace such products to ensure minimum inconvenience to the customer unless:

- ◆ The product has been used for trade, professional or hire purposes;
- ◆ The product has been subjected to misuse or neglect;
- ◆ The product has sustained damage through foreign objects, substances or accidents;
- ◆ Repairs have been attempted by persons other than authorised repair agents or Black & Decker service staff.

To claim on the guarantee, you will need to submit proof of purchase to the seller or an authorised repair agent. You can check the location of your nearest authorised repair agent by contacting your local Black & Decker office at the address indicated in this manual. Alternatively, a list of authorised Black & Decker repair agents and full details of our after-sales service and contacts are available on the Internet at: [www.2helpU.com](http://www.2helpU.com)

Please visit our website [www.blackanddecker.co.uk](http://www.blackanddecker.co.uk) to register your new BLACK+DECKER product and to be kept up to date on new products and special offers. Further information on the BLACK+DECKER brand and our range of products is available at [www.blackanddecker.co.uk](http://www.blackanddecker.co.uk)



## Сфера застосування

Ваша шабельна пилка виробництва компанії BLACK+DECKER BDCR18 була розроблена для розпилювання дерева, пластмаси та листового металу. Цей інструмент призначений лише для побутового використання.

## Інструкції з техніки безпеки

### Загальні правила безпеки для електричного інструмента



**ОБЕРЕЖНО!** Прочитайте всі попередження та інструкції. Невиконання наведених нижче попереджень та інструкцій може призвести до ураження електричним струмом, пожежі та/або серйозних травм.

### Збережіть всі попередження та інструкції для використання в майбутньому.

Термін «електричний інструмент» у всіх попередженнях, зазначених нижче, стосується використовуваних вами інструментів, що працюють від мережі енергоживлення (з використанням електричного кабелю) або акумуляторів (без кабелю).

#### 1. Безпека робочої зони

- a. **Тримайте робочу зону чистою та добре освітленою.** Невпорядковані й темні робочі зони збільшують імовірність нещасного випадку.
- b. **Не використовуйте електричні інструменти у вибухонебезпечній атмосфері, наприклад у присутності займих рідин, газів та пилу.** Електричні інструменти створюють іскри, що можуть запалити пил або випаровування.
- c. **Тримайте дітей та сторонніх подалі під час використання інструмента.** Відвернення уваги може призвести до втрати контролю.

#### 2. Електрична безпека

- a. **Вилка електричного інструмента має відповідати розетці. Ніколи жодним чином не змінюйте вилку. Не використовуйте адаптери із заземленими електричними інструментами.** Немодифіковані вилки та розетки, що відповідають їм, зменшують ризик ураження електричним струмом.

- b. **Уникайте контакту тіла із заземленими поверхнями, такими як труби, радіатори, плити та холодильники.** Якщо Ваше тіло заземлене, збільшується ризик ураження електричним струмом.
  - c. **Не залишайте електричні інструменти під дощем або за умов підвищеної вологості.** Вода, що потрапляє в електричний інструмент, підвищує ризик ураження електричним струмом.
  - d. **Не використовуйте кабель живлення не за призначенням. Ніколи не використовуйте шнур для перенесення, витягування та відключення від розетки живлення електричного інструмента.**  
**Тримайте шнур подалі від високих температур, мастила, гострих предметів та рухомих деталей.** Пошкоджені або перекручені шнури підвищують ризик ураження електричним струмом.
  - e. **Під час експлуатації електричного інструмента на вулиці використовуйте подовжувальний шнур, що призначений для використання поза приміщенням.** Використання шнура, що призначений для використання поза приміщенням, знижує ризик ураження електричним струмом.
  - f. **Якщо неможливо уникнути використання електричного інструмента за умов підвищеної вологості, використовуйте джерело живлення, захищене пристроєм з керуванням диференційним струмом (RCD).** Використання RCD знижує ризик ураження електричним струмом.
- #### 3. Особиста безпека
- a. **Будьте в стані готовності, дивіться, що ви робите, та будьте розсудливі, працюючи з електричним інструментом. Не використовуйте електричний інструмент, коли ви втомлені або знаходитесь під впливом наркотичних речовин, алкоголю або ліків.** Втрата уваги під час роботи з електричними інструментами може призвести до серйозних травм.
  - b. **Використовуйте особисті засоби безпеки. Завжди використовуйте засоби захисту очей.** Засоби безпеки, такі як протипилова маска, неслизькі безпечні черевики, захисний шолом та засоби захисту слухового апарату, які використані для відповідних умов, зменшують імовірність особистих травм.

- с. Уникайте випадкового запуску.** Переконайтесь в тому, що вимикач знаходиться в позиції Вимк. перед підключенням до джерела живлення та/або акумулятора, переміщенням або перенесенням пристрою. Якщо ви переносите інструмент, тримаючи палець на вимикачі, або підключаєте живлення з перемикачем в позиції Увімк., це може призвести до нещасного випадку.
- d. Зніміть усі налаштувальні ключі або гайкові ключі перед вмиканням електричного інструмента.** Гайковий ключ, що залишився прикріпленим до якоїсь деталі електричного пристрою, що обертається, може призвести до травм.
- e. Не перенапружуйтеся. Завжди утримуйте правильну постановку ніг і рівновагу.** Це дає вам змогу краще контролювати інструмент в непередбачуваних ситуаціях.
- f. Вдягайте відповідний одяг. Не вдягайте вільний одяг або прикраси. Тримайте ваше волосся, одяг та рукавички подалі від рухомих деталей.** Вільний одяг, прикраси або довге волосся можуть зачепитися за рухомі деталі.
- g. Якщо передбачені пристрої для підключення до засобів виділення та збирання пилу, переконайтеся, що вони правильно підключені та використовуються.** Використання таких пристроїв зменшує ризик виникнення небезпечних ситуацій, що пов'язані з потрапленням пилу.
- 4. Використання електричного інструмента та догляд за ним**
- a. Не застосовуйте надмірні зусилля під час роботи з інструментом. Використовуйте відповідний електричний інструмент для вашого застосування.** Правильний обраний інструмент виконає завдання краще та безпечніше за умов, для яких він був розроблений.
- b. Не використовуйте інструмент, вмикач якого не вмикає та не вмикає його.** Будь-який електричний інструмент, який не може управлятися вмикачем, є небезпечним і має бути відремонтований.
- с. Відключіть вилку від джерела живлення та/або зніміть акумуляторний блок з електричного інструмента перед**
- тим, як робити будь-які налаштування, змінювати додаткове обладнання чи зберігати електричні інструменти.** Ці профілактичні заходи зменшують ризик випадкового запуску електричного інструмента.
- d. Зберігайте вимкнені електричні інструменти подалі від дітей та не дозволяйте особам, що не знайомі з електричним інструментом або цими інструкціями, використовувати електричний інструмент.** Електричні інструменти є небезпечними, якщо вони використовуються некваліфікованими користувачами.
- e. Технічне обслуговування електричних інструментів. Перевіряйте несумісність або заїдання рухомих деталей, наявність ушкоджених частин та інших умов, що можуть впливати на роботу електричного інструмента.** Якщо є ушкодження, відремонтуйте електричний інструмент перед використанням. Багато нещасних випадків є результатом того, що інструмент не пройшов відповідного технічного обслуговування.
- f. Тримайте різальні інструменти гострими та чистими.** Правильно доглянуті різальні інструменти з гострими різальними кромками мають меншу ймовірність заїдання, та ними легше керувати.
- g. Використовуйте електричний інструмент, приладдя та деталі інструмента тощо у відповідності до цих інструкцій, зважаючи на умови використання та роботу, яка має бути виконана.** Використання електричних інструментів не за призначенням може призвести до виникнення небезпечних ситуацій.
- 5. Використання та догляд за інструментом, що працює від акумулятора**
- a. Заряджайте інструмент лише за допомогою зарядного пристрою, що вказаний виробником.** Зарядний пристрій, передбачений для одного типу акумуляторів, може призвести до пожежі, коли використовується з іншим акумулятором.
- b. Використовуйте електричні інструменти лише зі спеціально розробленим акумулятором.** Використання інших

акумуляторів може призвести до травм або пожежі.

**с. Коли акумулятори не використовуються, зберігайте їх подалі від металевих предметів, як скріпки, монети, ключі, цвяхи, гвинти або інші невеликі предмети, що можуть призвести до замикання двох контактів.** Замикання виводів акумулятора може призвести до вибуху або пожежі.

**д. За невідповідних умов використання рідина може витікати з батареї, уникайте контакту з цією рідиною. У разі випадкового контакту змийте відповідне місце водою. Якщо рідина потрапила в очі, необхідно звернутися до лікаря.** Рідина, що витікає з батареї, може призвести до подразнень та опіків.

## 6. Обслуговування

**а. Передавайте електричний інструмент для обслуговування кваліфікованим спеціалістам з ремонту та використовуйте тільки ідентичні заміні деталі.** Це забезпечить безпеку електричного пристрою, що обслуговується.

## Додаткові правила безпеки для електричного інструмента



**ОБЕРЕЖНО!** Додаткові застереження щодо використання ручних пил

- ♦ **Тримайте інструмент за ізольовану поверхню під час виконання операцій, коли різальне приладдя може торкнутися схованої проводки.** У разі контакту різального приладдя з дротом під напругою може з'явитися напруга в металевих деталях інструмента, що може призвести до ураження оператора електричним струмом.
- ♦ **Тримайте інструмент за ізольовану поверхню під час виконання операцій, коли кріпильний елемент може торкнутися схованої проводки.** Контакт кріпильних елементів з дротом під напругою може призвести до появи напруги в інструменті й ураження оператора електричним струмом.
- ♦ **Використовуйте струбцини або інший спосіб закріплення деталі, що оброблюється, на стійкій платформі.** Утримування заготовки

в руці та притискання її до тіла робить її нестабільною та може призвести до втрати контролю.

- ♦ **Тримайте руки подалі від зони різання.** Ніколи не підкладайте руки під заготовку з будь-якої причини. Не підносьте пальці до пильного полотна зі зворотно-поступальним рухом та до фіксатора пильного полотна. Не намагайтесь зробити пилку більш стійкою, тримаючись за опорну пластину.
- ♦ **Пильні полотна мають бути гострими.** Затуплені або пошкоджені пильні полотна спричиняють відхилення лобзика від прямої лінії та заїдання під навантаженням. Завжди використовуйте відповідні пильні полотна залежно від матеріалу заготовки й типу розрізу.
- ♦ **У разі розпилювання труб або трубопроводів переконайтесь, що в них немає води, електричних кабелів тощо.**
- ♦ **Не торкайтесь заготовки й пильного полотна одразу ж після використання інструмента.** Вони можуть бути дуже гарячими.
- ♦ **Перед розпилюванням стін, підлоги та стелі пам'ятайте про сховану небезпеку, перевірте розташування кабелів та труб.**
- ♦ **Пильне полотно продовжує рухатись після вивільнення перемикача.** Перед тим як покласти інструмент, необхідно вимкнути його та зачекати, щоб пильне полотно повністю зупинилося.

**ОБЕРЕЖНО!** Значення вібрації під час використання інструмента може відрізнятись від задекларованого в залежності від способів використання інструмента. Рівень вібрації може перевищувати вказані значення.

- ♦ Використання за призначенням описане в цьому посібнику з експлуатації. Використання будь-якого приладдя чи додаткового обладнання або виконання будь-яких дій з інструментом, що суперечать рекомендаціям цього посібника, може призвести до ризику травмування людини та/або пошкодження майна.

## Безпека оточуючих

- ♦ Цей пристрій не призначений для використання особами (у тому числі дітьми) зі зниженими фізичними, сенсорними або розумовими можливостями або особами,

яким бракує досвіду або знань, за винятком випадків, коли такі особи працюють під наглядом або отримали інструкції щодо використання пристрою від особи, яка несе відповідальність за їхню безпеку.

- ♦ Діти повинні знаходитись під контролем, щоб гарантувати, що вони не будуть грати з пристроєм.

## Залишкові ризики

Під час використання інструмента можуть виникнути додаткові залишкові ризики, які не внесено до попереджень щодо техніки безпеки в цьому посібнику.

Ці ризики можуть виникнути як результат неправильного використання, тривалого використання тощо.

Незважаючи на виконання всіх відповідних правил техніки безпеки та використання пристроїв безпеки, неможливо уникнути деяких залишкових ризиків. Сюди належать:

- ♦ травми через контакт з деталями, що рухаються/обертаються;
- ♦ травми під час заміни деталей, насадок або приладдя;
- ♦ травми через занадто тривале використання інструмента. У разі використання будь-якого інструмента протягом тривалого періоду часу не забувайте робити регулярні перерви;
- ♦ розлади слуху;
- ♦ небезпека для здоров'я через вдихання пилу, що утворюється під час використання інструмента (наприклад, під час роботи з деревом, особливо з дубом, березою та ДВП).

## Вібрація

Значення вібрації, указані в технічних даних та в декларації про відповідність виміряні з дотриманням стандартних методів тестування, наданих в EN 60745, та їх можна використовувати для порівняння одного інструмента з іншим. Задекларовані значення вібрації можна також використовувати для попереднього оцінювання впливу вібрації.

**ОБЕРЕЖНО!** Значення вібрації під час використання інструмента може відрізнятись від задекларованого в залежності від способів використання інструмента. Рівень вібрації може перевищувати вказані значення.

Оцінюючи вплив вібрації для визначення заходів безпеки за вимогами 2002/44/ЕС, щоб захистити людей, які регулярно використовують інструменти в роботі, необхідно враховувати реальні умови та способи використання інструмента, у тому числі всі періоди робочого циклу, наприклад часу, коли інструмент вимкнено та коли він знаходиться в режимі очікування, а також часу реальної роботи інструмента.

## Написи на інструменті

Наведені нижче символи нанесені на інструмент разом з кодом дати.



**ОБЕРЕЖНО!** Щоб зменшити ризик травм, користувач повинен прочитати посібник з експлуатації.

## Додаткові інструкції з техніки безпеки для акумуляторів та зарядних пристроїв (не надаються з інструментом)

### Акумуляторні батареї

- ♦ Ніколи не намагайтесь відкривати батарею.
- ♦ Не піддавайте батарею впливу води.
- ♦ Не зберігайте в місцях, де температура може перевищувати 40 °C.
- ♦ Заряджайте лише за температури навколишнього середовища між 10 °C та 40 °C.
- ♦ Заряджайте лише за допомогою зарядного пристрою, що надається з інструментом.
- ♦ Під час утилізації батарей виконуйте інструкції, наведені в розділі «Захист навколишнього середовища».



Не заряджайте пошкоджені батареї.

### Зарядні пристрої

- ♦ Використовуйте ваш зарядний пристрій BLACK+DECKER лише для зарядки батарей того інструмента, з яким він продавався. Інші батареї можуть вибухнути, спричинивши травми та пошкодження.
- ♦ Ніколи не намагайтесь заряджати батареї, що не підлягають зарядці.
- ♦ Негайно замініть пошкоджені кабелі.
- ♦ Не піддавайте зарядний пристрій впливу води.
- ♦ Не відкривайте корпус зарядного пристрою.
- ♦ Не розбирайте зарядний пристрій.



Зарядний пристрій призначений лише для використання в приміщенні.



Прочитайте інструкції цього посібника перед використанням.

## Електрична безпека



Цей зарядний пристрій має подвійну ізоляцію; тому заземлення не є необхідним. Завжди перевіряйте відповідність джерела живлення напрузі, що вказана на табличці з паспортними даними. Ніколи не намагайтесь замінити зарядний пристрій звичайним мережним штепселем.

- ♦ Якщо шнур живлення пошкоджений, його необхідно замінити у виробника або в офіційному сервісному центрі компанії BLACK+DECKER для уникнення небезпеки.

## Компоненти

Цей пристрій оснащено всіма або кількома з указаних нижче компонентів.

1. Вимикач
2. Кнопка блокування
3. Підшова
4. Важіль вивільнення фіксатора полотна
5. Полотно
6. Батарея (за наявності)
7. Кнопка фіксатора батареї
8. Основна ручка
9. Допоміжна ручка

## Рисунок D (за наявності)

10. Зарядний пристрій

## Монтаж

**ОБЕРЕЖНО!** Перед збиранням від'єднайте батарею від інструмента та переконайтесь, що пильне полотно зупинилось. Пильні полотна, що використовувались, можуть бути гарячими.

## Встановлення пильного полотна (рис. А)

- ♦ Утримуйте інструмент на відстані від тіла.
- ♦ Відкрийте важіль вивільнення фіксатора полотна (4) до повністю відкритого положення.
- ♦ Вставте хвостовик полотна спереду.
- ♦ Закрийте важіль вивільнення фіксатора полотна (4). Перевірте, щоб пересвідчитись, що полотно (5) надійно зафіксоване.

**Примітка.** Полотно можна встановлювати зубцями догори для полегшення відрізання врівень (рис. G).

## Знімання пильного полотна

**ОБЕРЕЖНО!** Не торкайтесь полотна відразу після використання. Пильні полотна, що використовувались, можуть бути гарячими.

- ♦ Відкрийте важіль вивільнення фіксатора полотна (4) до повністю відкритого положення.
- ♦ Вийміть полотно.

## Кнопка блокування у вимкненому стані

Інструмент оснащений функцією блокування у вимкненому положенні для запобігання непередбачуваному запуску.

- ♦ Щоб увімкнути інструмент, натисніть кнопку блокування у вимкненому положенні (2), а потім натисніть перемикач Увімк./Вимк. (1).
- ♦ Відпускання перемикача Увімк./Вимк. (1) вимикає інструмент.

## Установлення та знімання акумулятора (рис. В та С)

- ♦ Щоб установити акумулятор (6), вирівняйте його відповідно до відсіку в інструменті. Установіть акумулятор у відсік та натискайте, доки акумулятор не стане на місце (рис. В).
- ♦ Щоб видалити акумулятор (6), натисніть на кнопку фіксатора (7), одночасно витягуючи акумулятор з відсіку (рис. С).

## Використання

**ОБЕРЕЖНО!** Інструмент повинен працювати із рекомендованою швидкістю. Не перевантажуйте його.

## Заряджання батареї (рис. D)

Необхідно зарядити батарею перед першим використанням, а також коли вона не може забезпечити достатню потужність для виконання завдань, які легко виконувались раніше. Батарея може стати гарячою під час зарядки; це нормально та не є ознакою проблеми.

**ОБЕРЕЖНО!** Не заряджайте батарею за температури навколишнього середовища нижче 10 °С або вище 40 °С. Рекомендована температура заряджання — близько 24 °С.

**Примітка. Зарядний пристрій не заряджає батарею, якщо її температура нижче приблизно 10 °C або вище 40 °C.**

**Батарею потрібно залишити в зарядному пристрої, який автоматично почне її заряджати, коли температура батареї підвищиться або знизиться.**

- ◆ Для заряджання батареї (6) вставте її в зарядний пристрій (10). Батарею можна вставити в зарядний пристрій лише одним способом. Не перевантажуйте його. Переконайтесь, що батарея вставлена в зарядний пристрій до упору.
- ◆ Підключіть зарядний пристрій до розетки мережі живлення.

Почне блимати зелений світловий індикатор. Коли заряджання завершиться, зелений світловий індикатор почне горіти постійно. Батарею можна залишати підключеною до зарядного пристрою на необмежений час. Зелений індикатор заряджання буде час від часу блимати тоді, коли зарядний пристрій підзаряджатиме батарею до необхідного рівня.

- ◆ Не зберігайте розряджені батареї більше 1 тижня. Термін служби батареї значно зменшується, якщо вона зберігається в незарядженому стані.

## Залишення батареї в зарядному пристрої

Батареї можна залишити в зарядному пристрої на необмежений час з індикатором, що горить. Зарядний пристрій підтримуватиме елементи батареї в повній зарядженому стані.

## Вмикання та вимикання

- ◆ Щоб увімкнути інструмент, натисніть кнопку блокування у вимкненому положенні (2), а потім натисніть перемикач Увімк./Вимк. (1).
- ◆ Щоб вимкнути інструмент, натисніть перемикач Увімк./Вимк. (1).

## Пиляння (рис. Е)

- ◆ Завжди тримайте інструмент обома руками (рис. Е).
- ◆ Полотно (5) має спочатку попрацювати декілька секунд вхолосту перед початком різання.
- ◆ Застосовуйте лише легкий тиск на інструмент під час розпилюванні.
- ◆ За можливості забезпечуйте, щоб підшова (3) була притиснута до поверхні заготовки. Це покращує контроль над інструментом та

зменшує вібрацію, а також дає можливість запобігти пошкодженню пильного полотна.

## Підказки для оптимального використання

### Пиляння деревини (рис. F)

- ◆ Надійно закріпіть заготовку і витягніть з неї всі цвяхи та інші металеві предмети.
- ◆ Утримуючи лобзик двома руками, притисніть підшову (3) до заготовки.

### Пиляння врівень (рис. G)

Компактний дизайн корпусу електродвигуна шабельної пилки та поворотна опора (3) дають можливість виконувати розрізи близько біля підлоги, кутів та в інших важкодоступних місцях. Для оптимізації можливостей пиляння врівень:

- ◆ вставте основу пильного полотна в фіксатор так, щоб зубці були спрямовані угору;
- ◆ відрегулюйте кут ручки інструмента так, щоб ви знаходились якомога ближче до оброблюваної поверхні.

### Розпилювання металу (рис. H)

- ◆ Використовуйте спеціальне пильне полотно для металу. Використовуйте пильне полотно з дрібними зубцями для чорних металів та з більшими зубцями — для кольорових металів.
- ◆ Під час розрізання листового металу закріпіть шматочок дерева до задньої поверхні заготовки та розрізуйте цей «сендвіч».
- ◆ Нанесіть шар мастила вздовж необхідної лінії розрізу.

### Виконання гніздових розрізів в дереві (рис. I)

- ◆ Виміряйте та позначте необхідний гніздовий розріз.
- ◆ Установіть пильне полотно, призначене для виконання гніздових розрізів.
- ◆ Притисніть підшову (3) до заготовки так, щоб полотно було під відповідним кутом, необхідним для гніздового розрізу.
- ◆ Увімкніть інструмент та повільно введіть пильне полотно в заготовку. Стежте за тим, щоб підшова (3) весь час спиралася на заготовку.

## Обрізання гілок

Цим інструментом можна відрізати гілки до 25 мм у діаметрі.

**ОБЕРЕЖНО!** Не використовуйте цей інструмент, знаходячись на дереві, на драбині або на іншій нестійкій поверхні. Стежте за тим, куди може впасти гілка.

- ◆ Ріжте у напрямку донизу та від тіла.
- ◆ Робіть розріз близько до основної гілки або до стовбура дерева.

## Вертикальне різання

Інструментом можна робити розрізи близько до кутів та інших важкодоступних місць.

- ◆ Вставте хвостик пильного полотна в тримач так, що зубці були спрямовані вгору.
- ◆ Тримайте інструмент так, щоб підшва (3) була спрямована донизу, тобто знаходилася якомога ближче до робочої поверхні.
- ◆ Ріжте у напрямку вперед та від тіла.

## Приладдя

Продуктивність роботи інструмента залежить від приладдя, яке ви використовуєте.

Витратні матеріали виробництва компанії BLACK+DECKER розроблені з дотриманням високих стандартів якості та створені для підвищення ефективності використання вашого інструмента. Використовуючи це приладдя, ви отримаєте максимум ефективності від вашого інструмента.

## Полотна

В пилку можна вставляти пильні полотна довжиною до 30 см. Завжди використовуйте якомога коротше пильне полотно, що підходить для виконання певного завдання, але достатньо довге для того, щоб воно могло розпилити певний матеріал. Більш довгі полотна частіше згинаються та пошкоджуються під час використання. Під час роботи довші полотна можуть сильніше вібрувати, якщо лобзик не торкається заготовки.

## Технічне обслуговування

Ваш інструмент виробництва компанії BLACK+DECKER призначений для роботи протягом тривалого часу з мінімальним обслуговуванням. Тривала задовільна робота приладу залежить від належного обслуговування приладу та регулярного його очищення.

Зарядний пристрій не вимагає технічного обслуговування, лише необхідно проводити регулярне очищення.

**ОБЕРЕЖНО!** Перед виконанням будь-якого обслуговування необхідно витягнути батарею з інструмента. Витягніть зарядний пристрій з розетки перед очищенням.

- ◆ Регулярно очищуйте вентиляційні отвори інструмента та зарядного пристрою, використовуючи м'яку щітку або суху ганчірку.
- ◆ Регулярно очищуйте корпус електродвигуна, використовуючи вологу ганчірку. Не використовуйте абразивні очищувачі та засоби, що містять розчинники.
- ◆ Регулярно відкривайте затискний патрон та струшуйте його, щоб видалити пил із середини.

## Захист навколишнього середовища



Роздільний збір. Цей продукт не можна викидати разом зі звичайним побутовим сміттям.

Якщо якимось чином ви вирішите, що ваш виріб фірми BLACK+DECKER має бути замінено, або він вам більше не потрібний, не викидайте його на смітний побутовий сміття. Забезпечте утилізацію цього виробу шляхом роздільного збирання сміття.



Окремий збір використаних виробів та упаковок дає можливість повторно переробляти та використовувати матеріали.

Переробка повторно використаних матеріалів допомагає попередити забруднення навколишнього середовища та зменшує потребу в сировині.

Місцеві законодавчі акти можуть передбачати окремих збір електричного обладнання в муніципальних місцях для збору сміття або продавцями під час купівлі нового обладнання. Компанія BLACK+DECKER має можливість для збору та переробки продуктів власного виробництва після закінчення їхнього терміну служби. Щоб скористатися цією послугою, поверніть виріб компанії в один з офіційних сервісних центрів, які збирають відпрацьовані продукти за наш рахунок.

Ви можете знайти місцезнаходження найближчого до вас сервісного центру, зв'язавшись з місцевим офісом компанії BLACK+DECKER за адресою, що вказана у цих інструкціях. Крім того, список офіційних сервісних центрів компанії BLACK+DECKER з усіма подробицями нашого післяпродажного обслуговування та контактною інформацією міститься в Інтернеті за адресою: [www.2helpU.com](http://www.2helpU.com).

## Акумуляторні батареї



Усеверидині відсутні деталі, які користувач може обслуговувати самостійно.

- ◆ Наприкінці терміну служби батареї поверніть її агенту з обслуговування або на місцеву станцію переробки для переробки батареї. Не викидайте батарею разом із побутовим сміттям.

## Технічні дані

BDCR18 (H1)		
Вхідна напруга	V <sub>пост. струм</sub>	18
Швидкість без навантаження	хв <sup>-1</sup>	0–3000
Довжина ходу	мм	22
Маса	кг	1,5

Зарядний пристрій	905902** тип 2	905998** тип 1	
Вхідна напруга	V <sub>АС</sub>	100–240	230
Вихідна напруга	V <sub>пост. струм</sub>	8–20	18
Струм	мА	400	1
Приблизний час першої зарядки	Години	3–5	1–5

Батарея	BL1518	BL2018	BL4018	
Напруга	V <sub>пост. струм</sub>	18	18	18
Ємність	Ампер-годин	1,5	2,0	4,0
Тип	Літій-іонна	Літій-іонна	Літій-іонна	

Рівень звукового тиску згідно з EN 60745	
Звуковий тиск (L <sub>рА</sub> )	79,5 дБ(А), похибка (К) 3 дБ(А)
Звукова потужність (L <sub>WA</sub> )	90,5 дБ(А), похибка (К) 3 дБ(А)

Загальні значення вібрації (векторна сума трьох векторів) згідно з EN 60745	
Розрізання дощок (a <sub>h, WB</sub> )	17,9 м/с <sup>2</sup> , похибка (К) 1,5 м/с <sup>2</sup>
Розрізання балок (a <sub>h, WB</sub> )	19,7 м/с <sup>2</sup> , похибка (К) 1,5 м/с <sup>2</sup>

## Декларація про відповідність нормам ЄС

ДИРЕКТИВА ДЛЯ МЕХАНІЧНОГО ОБЛАДНАННЯ



BDCR18 — Шабельна пилка

Компанія Black & Decker заявляє, що продукти, описані в розділі «Технічні дані» відповідають: 2006/42/EC, EN 60745-1, EN 60745-2-11

Ці продукти відповідають також Директиві 2004/108/EC (до 19/04/2016) 2014/30/EU (з 20/04/2016) і 2011/65/EU. Для отримання додаткової інформації, будь ласка, зверніться до компанії Black & Decker за наведеною нижче адресою або прочитайте інформацію на зворотному боці цього посібника.

Нижчепідписаний несе відповідальність за упорядкування файлу технічних характеристик та робить цю заяву від компанії Black & Decker.

Р. Лаверік (R. Laverick),  
технічний директор  
Black & Decker Europe, 210 Bath Road, Slough,  
Berkshire, SL1 3YD  
United Kingdom (Велика Британія)  
24.03.2015



## Гарантія

Компанія Black & Decker впевнена в якості своєї продукції та пропонує чудові умови гарантії. Ці гарантійні умови є додатковими і жодним чином не обмежують ваші законні права. Ця гарантія є чинною на території країн-членів Європейського Союзу та в європейській зоні вільної торгівлі.



Виробник:  
"Stanley Black & Decker Deutschland  
GmbH" Black-&Decker Str.40, D-65510  
Idstein, Німеччина

Якщо продукт Black & Decker стає несправним через неякісні матеріали, конструкцію або невідповідність вимогам протягом 24 місяців з дня купівлі, компанія Black & Decker гарантує заміну несправних деталей, ремонт продуктів, що піддалися зносу, або заміну таких продуктів для забезпечення мінімальних незручностей для споживачів, за винятком випадків, коли:

- ◆ продукт використовувався в професійних цілях та об'ємах;
- ◆ продукт використовувався не за призначенням або не обслуговувався;
- ◆ продукт зазнав механічних пошкоджень, викликаних зовнішніми предметами, речовинами або іншим впливом;
- ◆ продукт намагалися відремонтувати особи, які не є працівниками офіційного сервісного центру або персоналом з ремонту компанії Black & Decker.

Щоб отримати гарантійне обслуговування, вам необхідно надати доказ купівлі продавцеві або агенту з ремонту. Ви можете знайти місцезнаходження найближчого до Вас сервісного центру, зв'язавшись з місцевим офісом компанії Black & Decker за адресою, вказаною у цьому посібнику. Крім того, список офіційних сервісних центрів компанії Black & Decker з усіма подробицями нашого післяпродажного обслуговування та контактною інформацією міститься в Інтернеті за адресою: [www.2helpU.com](http://www.2helpU.com).

Відвідайте наш сайт [www.blackanddecker.co.uk](http://www.blackanddecker.co.uk), щоб зареєструвати свій новий продукт BLACK+DECKER та отримувати інформацію про нові продукти та спеціальні пропозиції. Для отримання додаткової інформації про торгівлю марку BLACK+DECKER та наші продукти відвідайте наш сайт за адресою [www.blackanddecker.co.uk](http://www.blackanddecker.co.uk).





ГАРАНТІЙНИЙ ТАЛОН

**2 РОКИ**  
ГАРАНТІЇ

1. Вітаємо Вас з покупкою високоякісного виробу Black+Decker і висловлюємо вдячність за Ваш вибір.
2. При покупці виробу вимагайте перевірки його комплектності і справності у Вашій присутності, інструкцію з експлуатації та заповнений гарантійний талон українською мовою. В гарантійному талоні повинні бути внесені: модель, дата продажу, серійний номер, дата виробництва інструменту; назва, печатка і підпис торгової організації. За відсутності у Вас правильно заповненого гарантійного талону, а також при невідповідності зазначених у ньому даних ми будемо змушені відхилити Ваші претензії щодо якості даного виробу.
3. Щоб уникнути непорозуміння, переконливо просимо Вас перед початком роботи з виробом уважно ознайомитися з інструкцією з його експлуатації. Правовою основою справжніх гарантійних умов є чинне Законодавство. Гарантійний термін на даний виріб складає 24 місяці і обчислюється з дня продажу. У разі усунення недоліків виробу, гарантійний строк продовжується на період його перебування в ремонті. Термін служби виробу становить 5 років з дня продажу.
4. У разі виникнення будь-яких проблем у процесі експлуатації виробу рекомендуємо Вам звертатися тільки в уповноважені сервісні центри Black+Decker, адреси та телефони яких Ви зможете знайти в гарантійному талоні, на сайті [www.2helpU.com](http://www.2helpU.com) або дізнатися в магазині. Наші сервісні станції - це не тільки кваліфікований ремонт, але і широкий асортимент запчастин і аксесуарів.
5. Виробник рекомендує проводити періодичну перевірку і технічне обслуговування виробу в уповноважених сервісних центрах.
6. Наші гарантійні зобов'язання поширюються тільки на несправності, виявлені протягом гарантійного терміну і викликані дефектами виробництва та \ або матеріалів.
7. Гарантійні умови не поширюються на несправності виробу, що виникли в результаті:
  - 7.1. Недотримання користувачем приписів інструкції з експлуатації виробу, застосування виробу не за призначенням, неправильного зберігання, використання приладдя, витратних матеріалів і запчастин, що не передбачені виробником.
  - 7.2. Механічного пошкодження (відколи, тріщини і руйнування) внутрішніх і зовнішніх деталей виробу, основних і допоміжних рукояток, мережевого кабелю, що викликані зовнішнім ударним або будь-яким іншим впливом
  - 7.3. Потрапання у вентиляційні отвори та проникнення всередину виробу сторонніх предметів, матеріалів або речовин, що не є відходами, які супроводжують застосування виробу за призначенням, такими як: стружка, тирса, пісок, та ін.
  - 7.4. Впливу на виріб несприятливих атмосферних і інших зовнішніх факторів, таких як дощ, сніг, підвищена вологість, нагрівання, агресивні середовища, невідповідність параметрів електромережі, що зазначені на інструменті.
  - 7.5. Стихійного лиха. Пошкодження або втрати виробу, що пов'язані з непередбаченими лихами, стихійними явищами, у тому числі внаслідок дії непереборної сили (пожежа, блискавка, потоп і інші природні явища), а також внаслідок перепадів напруги в електромережі та іншими причинами, які знаходяться поза контролем виробника.
8. Гарантійні умови не поширюються:
  - 8.1. На інструменти, що піддавались розкриттю, ремонту або модифікації поза уповноваженим сервісним центром.
  - 8.2. На деталі, вузли та матеріали, що мають сліди природного зносу, такі як: приводні ремені і колеса, вугільні щітки, мастило, підшипники, зубчасті зчеплення редукторів, гумові ущільнення, сальники, направляючі ролики, муфти, вимикачі, бойки, штовхачі, стволи тощо.
  - 8.3. На змінні частини: патрони, цанги, затискні гайки і фланці, фільтри, ножі, шліфувальні підшви, ланцюги, зірочки, пильні шини, захисні кожухи, пилки, абразиви, пильні і абразивні диски, фрези, свердла, бури тощо
  - 8.4. На несправності, що виникли в результаті перевантаження інструменту (як механічного, так і електричного), що спричинили вихід з ладу одночасно двох і більше деталей і вузлів, таких як: ротора і статора, обох обмоток статора, веденої і ведучої шестерень редуктора або інших вузлів і деталей. До безумовних ознак перевантаження виробу відносяться, крім інших: поява кольорів млиновитості, деформація або оплавлення деталей і вузлів виробу, потемніння або обвуглювання ізоляції проводів електродвигуна під впливом високої температури.

Товар отриманий в справному стані, без видимих ушкоджень, в повній комплектації, перевірений у моїй присутності, претензій щодо якості товару не маю. З умовами гарантійного обслуговування ознайомлений і згоден.

П. І. Б. та підпис власника

**Шановні клієнти, наша мережа авторизованих сервісних центрів постійно розширюється. Актуальну інформацію про обслуговування в місті, що цікавить вас, ви можете дізнатися на сайті**

**[www.2helpU.com](http://www.2helpU.com)**

**Інформація про інструмент**

**Серійний номер/Дата виробництва**

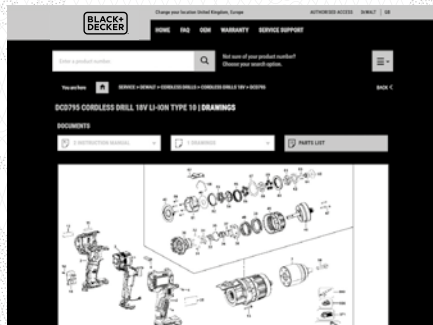
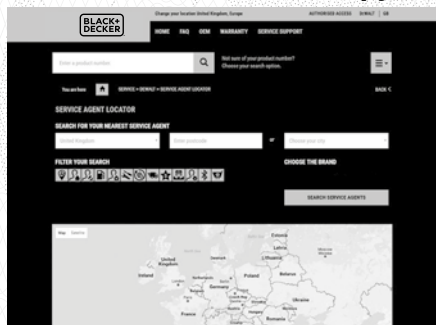
Найменування інструменту	
Модель	
Найменування продавця	
Дата продажу	

М.П.  
Продавця

Інструмент	
Зарядний пристрій	
Акумулятор 1	
Акумулятор 2	

**На сайті [www.2helpU.com](http://www.2helpU.com) доступні наступні функції:**

- Список авторизованих сервісних центрів
- Зручний пошук найближчого сервісного центру
- Керівництво з експлуатації
- Технічні характеристики
- Список деталей і запасних частин
- Схема складання інструменту



**Також дану інформацію ви можете отримати, зателефонувавши за номером:  
0 (800) 211 521 в Україні**

**ВІДМІТКА ПРО ПРОВЕДЕННЯ СЕРВІСНОГО ОБСЛУГОВУВАННЯ**

№1	№2	№3	№4
№ замовлення	№ замовлення	№ замовлення	№ замовлення
Дата прийому	Дата прийому	Дата прийому	Дата прийому
Дата ремонту	Дата ремонту	Дата ремонту	Дата ремонту
Печатка і підпис сервісного центру	Печатка і підпис сервісного центру	Печатка і підпис сервісного центру	Печатка і підпис сервісного центру