

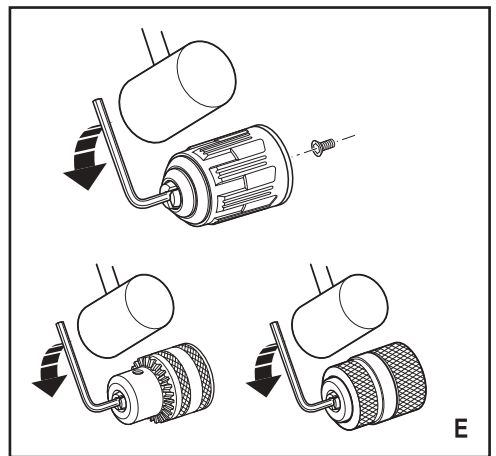
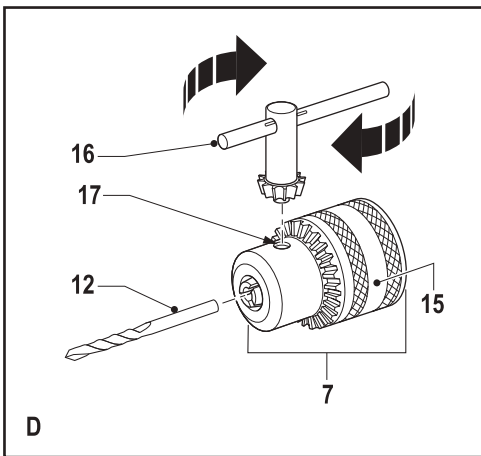
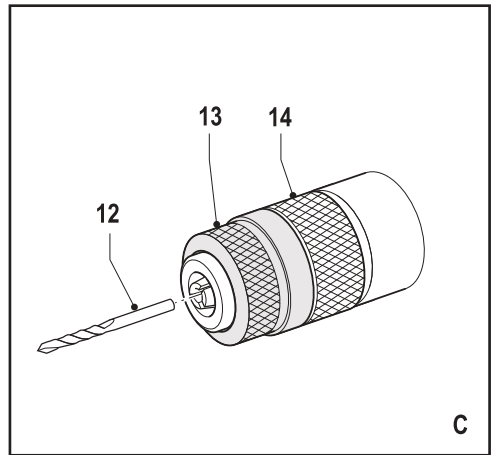
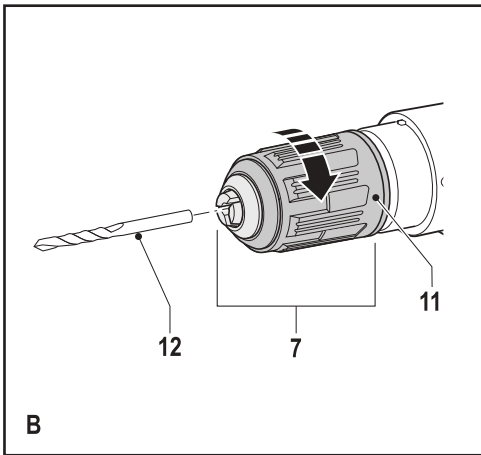
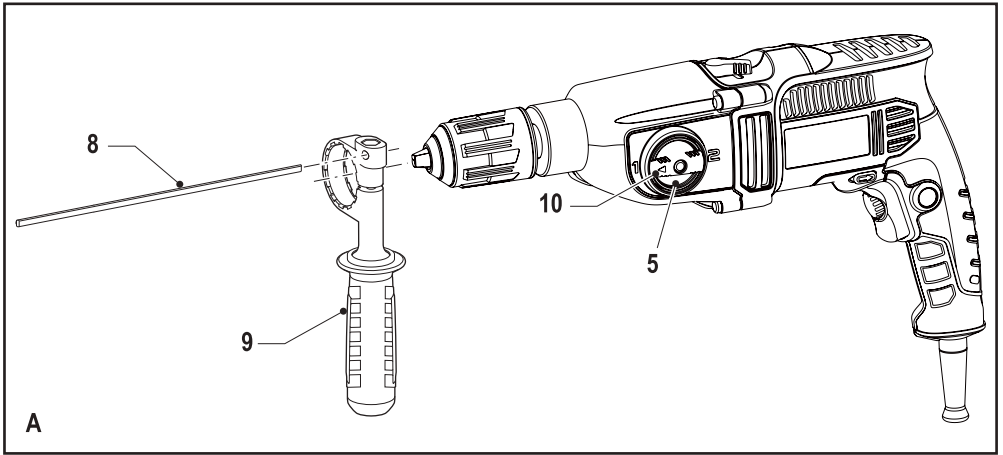
KR7532

KR8542

KR911

KR1102

<b>English</b>	<b>(Original instructions)</b>	<b>4</b>
<b>Deutsch</b>	<b>(Übersetzung der Originalanleitung)</b>	<b>10</b>
<b>Français</b>	<b>(Traduction des instructions d'origine)</b>	<b>17</b>
<b>Česky</b>	<b>(Přeloženo z původního návodu)</b>	<b>24</b>
<b>Magyar</b>	<b>(Fordítás az eredeti kezelési utasítás alapján készült)</b>	<b>30</b>
<b>Polski</b>	<b>(Tłumaczenie oryginalnej instrukcji)</b>	<b>38</b>
<b>Slovenčina</b>	<b>(Preložené z pôvodného návodu)</b>	<b>45</b>
<b>Русский язык</b>	<b>(Перевод с оригинала инструкции)</b>	<b>51</b>
<b>Українська</b>	<b>(Переклад оригінальних інструкцій)</b>	<b>59</b>
<b>Türkçe</b>	<b>(Çevirisi orijinal talimatlardan yapılmıştır)</b>	<b>67</b>



## Intended use

Your Black & Decker impact drill has been designed for drilling in wood, metal, plastics, and masonry as well as for screwdriving purposes. This tool is intended for consumer use only.

## Safety instructions

### General power tool safety warnings



**Warning! Read all safety warnings and all instructions.** Failure to follow the warnings and instructions listed below may result in electric shock, fire and/or serious injury.

**Save all warnings and instructions for future reference.** The term “power tool” in the warnings refers to your mains operated (corded) power tool or battery operated (cordless) power tool.

#### 1. Work area safety

- a. **Keep work area clean and well lit.** Cluttered or dark areas invite accidents.
- b. **Do not operate power tools in explosive atmospheres, such as in the presence of flammable liquids, gases or dust.** Power tools create sparks which may ignite the dust or fumes.
- c. **Keep children and bystanders away while operating a power tool.** Distractions can cause you to lose control.

#### 2. Electrical safety

- a. **Power tool plugs must match the outlet. Never modify the plug in any way. Do not use any adapter plugs with earthed (grounded) power tools.** Unmodified plugs and matching outlets will reduce risk of electric shock.
- b. **Avoid body contact with earthed or grounded surfaces such as pipes, radiators, ranges and refrigerators.** There is an increased risk of electric shock if your body is earthed or grounded.
- c. **Do not expose power tools to rain or wet conditions.** Water entering a power tool will increase the risk of electric shock.
- d. **Do not abuse the cord. Never use the cord for carrying, pulling or unplugging the power tool. Keep cord away from heat, oil, sharp edges or moving parts.** Damaged or entangled cords increase the risk of electric shock.
- e. **When operating a power tool outdoors, use an extension cord suitable for outdoor**

**use.** Use of a cord suitable for outdoor use reduces the risk of electric shock.

- f. **If operating a power tool in a damp location is unavoidable, use a residual current device (RCD) protected supply.** Use of an RCD reduces the risk of electric shock.
3. **Personal safety**
    - a. **Stay alert, watch what you are doing and use common sense when operating a power tool. Do not use a power tool while you are tired or under the influence of drugs, alcohol or medication.** A moment of inattention while operating power tools may result in serious personal injury.
    - b. **Use personal protective equipment. Always wear eye protection.** Protective equipment such as dust mask, non-skid safety shoes, hard hat, or hearing protection used for appropriate conditions will reduce personal injuries.
    - c. **Prevent unintentional starting. Ensure the switch is in the off-position before connecting to power source and/or battery pack, picking up or carrying the tool.** Carrying power tools with your finger on the switch or energising power tools that have the switch on invites accidents.
    - d. **Remove any adjusting key or wrench before turning the power tool on.** A wrench or a key left attached to a rotating part of the power tool may result in personal injury.
    - e. **Do not overreach. Keep proper footing and balance at all times.** This enables better control of the power tool in unexpected situations.
    - f. **Dress properly. Do not wear loose clothing or jewellery. Keep your hair, clothing and gloves away from moving parts.** Loose clothes, jewellery or long hair can be caught in moving parts.
    - g. **If devices are provided for the connection of dust extraction and collection facilities, ensure these are connected and properly used.** Use of dust collection can reduce dust-related hazards.
  4. **Power tool use and care**
    - a. **Do not force the power tool. Use the correct power tool for your application.** The correct power tool will do the job better and safer at the rate for which it was designed.

- b. **Do not use the power tool if the switch does not turn it on and off.** Any power tool that cannot be controlled with the switch is dangerous and must be repaired.
- c. **Disconnect the plug from the power source and/or the battery pack from the power tool before making any adjustments, changing accessories, or storing power tools.** Such preventive safety measures reduce the risk of starting the power tool accidentally.
- d. **Store idle power tools out of the reach of children and do not allow persons unfamiliar with the power tool or these instructions to operate the power tool.** Power tools are dangerous in the hands of untrained users.
- e. **Maintain power tools. Check for misalignment or binding of moving parts, breakage of parts and any other condition that may affect the power tools operation. If damaged, have the power tool repaired before use.** Many accidents are caused by poorly maintained power tools.
- f. **Keep cutting tools sharp and clean.** Properly maintained cutting tools with sharp cutting edges are less likely to bind and are easier to control.
- g. **Use the power tool, accessories and tool bits etc. in accordance with these instructions, taking into account the working conditions and the work to be performed.** Use of the power tool for operations different from those intended could result in a hazardous situation.

## 5. Service

- a. **Have your power tool serviced by a qualified repair person using only identical replacement parts.** This will ensure that the safety of the power tool is maintained.

## Additional power tool safety warnings



**Warning!** Additional safety warnings for drills and impact drills

- ◆ **Wear ear protectors with impact drills.** Exposure to noise can cause hearing loss.
- ◆ **Use auxiliary handles supplied with the tool.** Loss of control can cause personal injury.
- ◆ **Hold power tool by insulated gripping surfaces when performing an operation where the cutting accessory may contact hidden wiring or its own cord.** Cutting accessory contacting a “live” wire may make exposed metal parts of the power tool “live” and could give the operator an electric shock
- ◆ Never use a chisel accessory in rotary mode. The accessory will bind in the material and rotate the drill.
- ◆ Use clamps or another practical way to secure and support the workpiece to a stable platform. Holding the work by hand or against your body leaves it unstable and may lead to loss of control.
- ◆ Before drilling into walls, floors or ceilings, check for the location of wiring and pipes.
- ◆ Avoid touching the tip of a drill bit just after drilling, as it may be hot.
- ◆ The intended use is described in this instruction manual. The use of any accessory or attachment or performance of any operation with this tool other than those recommended in this instruction manual may present a risk of personal injury and/or damage to property.

## Safety of others

- ◆ This appliance is not intended for use by persons (including children) with reduced physical, sensory or mental capabilities, or lack of experience and knowledge, unless they have been given supervision or instruction concerning use of the appliance by a person responsible for their safety.
- ◆ Children should be supervised to ensure that they do not play with the appliance.

## Residual risks.

Additional residual risks may arise when using the tool which may not be included in the enclosed safety warnings. These risks can arise from misuse, prolonged use etc.

Even with the application of the relevant safety regulations and the implementation of safety devices, certain residual risks can not be avoided. These include:

- ◆ Injuries caused by touching any rotating/moving parts.
- ◆ Injuries caused when changing any parts, blades or accessories.
- ◆ Injuries caused by prolonged use of a tool. When using any tool for prolonged periods ensure you take regular breaks.
- ◆ Impairment of hearing.
- ◆ Health hazards caused by breathing dust developed when using your tool (example:-

working with wood, especially oak, beech and MDF.)

## Vibration

The declared vibration emission values stated in the technical data and the declaration of conformity have been measured in accordance with a standard test method provided by EN 60745 and may be used for comparing one tool with another. The declared vibration emission value may also be used in a preliminary assessment of exposure.

**Warning!** The vibration emission value during actual use of the power tool can differ from the declared value depending on the ways in which the tool is used. The vibration level may increase above the level stated.

When assessing vibration exposure to determine safety measures required by 2002/44/EC to protect persons regularly using power tools in employment, an estimation of vibration exposure should consider, the actual conditions of use and the way the tool is used, including taking account of all parts of the operating cycle such as the times when the tool is switched off and when it is running idle in addition to the trigger time.

## Labels on tool

The following pictograms are shown on the tool:



**Warning!** To reduce the risk of injury, the user must read the instruction manual.

## Electrical safety



This tool is double insulated; therefore no earth wire is required. Always check that the power supply corresponds to the voltage on the rating plate.

- ◆ If the supply cord is damaged, it must be replaced by the manufacturer or an authorised Black & Decker Service Centre in order to avoid a hazard.

## Features

This tool includes some or all of the following features.

1. Variable speed switch
2. Lock-on button
3. Variable speed control knob
4. Forward/reverse switch
5. Two-gear selector
6. Drilling mode selector

7. Chuck
8. Depth stop
9. Side handle

## Assembly

**Warning!** Before assembly, make sure that the tool is switched off and unplugged.

### Fitting the side handle and depth stop (fig. A)

- ◆ Turn the grip counterclockwise until you can slide the side handle (9) onto the front of the tool.
- ◆ Rotate the side handle into the desired position.
- ◆ Insert the depth stop (8) into the mounting hole as shown.
- ◆ Set the drilling depth as described below.
- ◆ Tighten the side handle by turning the grip clockwise.

### Setting the drilling depth (fig. A)

- ◆ Slacken the side handle (9) by turning the grip counterclockwise.
- ◆ Set the depth stop (8) to the desired position. The maximum drilling depth is equal to the distance between the tip of the drill bit and the front end of the depth stop.
- ◆ Tighten the side handle by turning the grip clockwise.

### Fitting an accessory (fig. B - D)

#### Keyless chuck with spindle lock (Where supplied) (fig. B)

- ◆ Open the chuck (7) by turning the sleeve (11) counterclockwise.
- ◆ Insert the bit shaft (12) into the chuck.
- ◆ Tighten the chuck by turning the sleeve clockwise.

#### Keyless chuck (Where supplied) (fig. C)

- ◆ Open the chuck by turning the front part (13) with one hand while holding the rear part (14) with the other.
- ◆ Insert the bit shaft (12) into the chuck and firmly tighten the chuck.

#### Keyed chuck (Where supplied) (fig. D)

- ◆ Open the chuck by turning the sleeve (15) counterclockwise.
- ◆ Insert the bit shaft (12) into the chuck.
- ◆ Insert the chuck key (16) into each hole (17) in the side of the chuck and turn clockwise until tight.

## Removing and refitting the chuck (fig. E)

- ◆ Open the chuck as far as possible.
- ◆ Remove the chuck retaining screw, located in the chuck, by turning it clockwise using a screwdriver.
- ◆ Tighten an Allen key into the chuck and strike it with a hammer as shown.
- ◆ Remove the Allen key.
- ◆ Remove the chuck by turning it counterclockwise.
- ◆ To refit the chuck, screw it onto the spindle and secure it with the chuck retaining screw.

## Use

**Warning!** Let the tool work at its own pace. Do not overload.

**Warning!** Before drilling into walls, floors or ceilings, check for the location of wiring and pipes.

## Selecting the drilling mode

- ◆ For hammer drilling in masonry and concrete, set the operating mode selector (6) to the **T** position.
- ◆ For drilling in steel, wood and plastics, set the operating mode selector (6) to the **A** position.

## Two-gear selector (fig. A)

- ◆ For drilling in steel and for screwdriving applications, turn the two-gear selector (5) into position 1 by aligning the arrow (10) with the number 1 (1st gear).
- ◆ For drilling in materials other than steel, turn the two-gear selector (5) into position 2 by aligning the arrow (10) with the number 2 (2nd gear).

## Selecting the direction of rotation

For drilling and tightening screws, use forward (clockwise) rotation. For loosening screws or removing a jammed drill bit, use reverse (counterclockwise) rotation.

- ◆ To select forward rotation, push the forward/reverse slider (4) to the left.
- ◆ To select reverse rotation, push the forward/reverse slider to the right.

**Warning!** Never change the direction of rotation while the motor is running.

## Switching on and off

- ◆ To switch the tool on, press the variable speed switch (1). The tool speed depends on how far you press the switch. If the tool has a variable speed control knob (3), set it to the required speed range. As a general rule, use low

speeds for large diameter drill bits and high speeds for smaller diameter drill bits.

- ◆ For continuous operation, press the lock-on button (2) and release the variable speed switch. This option is available only at full speed or at any speed preset with the variable speed control knob (3). This option does not work in reverse rotation.
- ◆ To switch the tool off, release the variable speed switch. To switch the tool off when in continuous operation, press the variable speed switch once more and release it.

## Accessories

The performance of your tool depends on the accessory used. Black & Decker and Piranha accessories are engineered to high quality standards and designed to enhance the performance of your tool. By using these accessories you will get the very best from your tool.

## Maintenance

Your Black & Decker corded/cordless appliance/tool has been designed to operate over a long period of time with a minimum of maintenance. Continuous satisfactory operation depends upon proper tool care and regular cleaning.

**Warning!** Before performing any maintenance on corded/cordless power tools:

- ◆ Switch off and unplug the appliance/tool.
- ◆ Or switch off and remove the battery from the appliance/tool if the appliance/tool has a separate battery pack.
- ◆ Or run the battery down completely if it is integral and then switch off.
- ◆ Unplug the charger before cleaning it. Your charger does not require any maintenance apart from regular cleaning.
- ◆ Regularly clean the ventilation slots in your appliance/tool/charger using a soft brush or dry cloth.
- ◆ Regularly clean the motor housing using a damp cloth. Do not use any abrasive or solvent-based cleaner.
- ◆ Regularly open the chuck and tap it to remove any dust from the interior (when fitted).

## Mains plug replacement (U.K. & Ireland only)

If a new mains plug needs to be fitted:

- ◆ Safely dispose of the old plug.
- ◆ Connect the brown lead to the live terminal in the new plug.

◆ Connect the blue lead to the neutral terminal.

**Warning!** No connection is to be made to the earth terminal. Follow the fitting instructions supplied with good quality plugs. Recommended fuse: 5 A.

### Protecting the environment



Separate collection. This product must not be disposed of with normal household waste.

Should you find one day that your Black & Decker product needs replacement, or if it is of no further use to you, do not dispose of it with household waste. Make this product available for separate collection.



Separate collection of used products and packaging allows materials to be recycled and used again. Re-use of recycled materials helps prevent environmental pollution and reduces the demand for raw materials.

Local regulations may provide for separate collection of electrical products from the household, at municipal waste sites or by the retailer when you purchase a new product.

Black & Decker provides a facility for the collection and recycling of Black & Decker products once they have reached the end of their working life. To take advantage of this service please return your product to any authorised repair agent who will collect them on our behalf.

You can check the location of your nearest authorised repair agent by contacting your local Black & Decker office at the address indicated in this manual. Alternatively, a list of authorised Black & Decker repair agents and full details of our after-sales service and contacts are available on the Internet at: **www.2helpU.com**

### Technical data

		KR7532 (Type 1)	KR8542 (Type 1)
Input voltage	$V_{AC}$	230	230
Power input	W	750	850
No-load speed	$\text{min}^{-1}$	0-1100 / 0-3100	0-1100 / 0-3100
Impact rate	$\text{min}^{-1}$	0-18,700 / 0-52,700	0-18,700 / 0-52,700

#### Max. drilling capacity

Concrete	mm	16	18
Steel	mm	13	13
Wood	mm	50	50
Weight	kg	2.5	2.6

		KR911 (Type 1)	KR1102 (Type 1)
Input voltage	$V_{AC}$	230	230
Power input	W	910	1100
No-load speed	$\text{min}^{-1}$	0-1100 / 0-3100	0-1100 / 0-3200
Impact rate	$\text{min}^{-1}$	0-18,700 / 0-52,700	0-18,700 / 0-54,400

#### Max. drilling capacity

Concrete	mm	18	20
Steel	mm	13	16
Wood	mm	50	50
Weight	kg	2.6	2.8

#### Level of sound pressure according to EN 60745:

Sound pressure ( $L_{pA}$ ) 100 dB(A), uncertainty (K) 3 dB(A),  
Sound power ( $L_{WA}$ ) 111 dB(A), uncertainty (K) 3 dB(A)

#### Vibration total values (triax vector sum) according to EN 60745:

Impact drilling into concrete ( $a_{h, ID}$ ) 13,5  $\text{m/s}^2$ , uncertainty (K) 1.5  $\text{m/s}^2$ ,  
Drilling into metal ( $a_{h, D}$ ) 4,3  $\text{m/s}^2$ , uncertainty (K) 1.5  $\text{m/s}^2$



## EC declaration of conformity

### MACHINERY DIRECTIVE



**KR7532, KR8542, KR911, KR1102**

Black & Decker declares that these products described under "technical data" are in compliance with: 2006/42/EC, EN 60745-1, EN 60745-2-1

For more information, please contact Black & Decker at the following address or refer to the back of the manual.

The undersigned is responsible for compilation of the technical file and makes this declaration on behalf of Black & Decker.

Kevin Hewitt  
Vice-President  
Global Engineering  
Black & Decker Europe,  
210 Bath Road, Slough,  
Berkshire, SL1 3YD  
United Kingdom  
11/05/2011

To claim on the guarantee, you will need to submit proof of purchase to the seller or an authorised repair agent. You can check the location of your nearest authorised repair agent by contacting your local Black & Decker office at the address indicated in this manual. Alternatively, a list of authorised Black & Decker repair agents and full details of our after-sales service and contacts are available on the Internet at: **[www.2helpU.com](http://www.2helpU.com)**.

Please visit our website **[www.blackanddecker.co.uk](http://www.blackanddecker.co.uk)** to register your new Black & Decker product and to be kept up to date on new products and special offers. Further information on the Black & Decker brand and our range of products is available at **[www.blackanddecker.co.uk](http://www.blackanddecker.co.uk)**.

## Guarantee

Black & Decker is confident of the quality of its products and offers an outstanding guarantee. This guarantee statement is in addition to and in no way prejudices your statutory rights. The guarantee is valid within the territories of the Member States of the European Union and the European Free Trade Area.

If a Black & Decker product becomes defective due to faulty materials, workmanship or lack of conformity, within 24 months from the date of purchase, Black & Decker guarantees to replace defective parts, repair products subjected to fair wear and tear or replace such products to ensure minimum inconvenience to the customer unless:

- ◆ The product has been used for trade, professional or hire purposes;
- ◆ The product has been subjected to misuse or neglect;
- ◆ The product has sustained damage through foreign objects, substances or accidents;
- ◆ Repairs have been attempted by persons other than authorised repair agents or Black & Decker service staff.

## Bestimmungsgemäße Verwendung

Ihre Black & Decker Schlagbohrmaschine wurde zum Bohren von Holz, Metall, Kunststoff und Mauerwerk sowie für Schraubarbeiten entwickelt. Dieses Gerät ist nicht für den gewerblichen Einsatz vorgesehen.

## Sicherheitshinweise

### Allgemeine Sicherheitswarnungen für das Gerät



**Achtung! Lesen Sie sämtliche Sicherheitswarnungen und Anweisungen.** Die Nichteinhaltung der nachstehend aufgeführten Warnungen und Anweisungen kann einen elektrischen Schlag, Brand und/oder schwere Verletzungen verursachen.

**Bewahren Sie alle Sicherheitswarnungen und Anweisungen gut auf.** Der Begriff „Gerät“ bezieht sich auf netzbetriebene Geräte (mit Netzkabel) und auf akkubetriebene Geräte (ohne Netzkabel).

1. **Sicherheit im Arbeitsbereich**
    - a. **Halten Sie Ihren Arbeitsbereich sauber, und sorgen Sie für ausreichende Beleuchtung.** Unordnung oder dunkle Arbeitsbereiche können zu Unfällen führen.
    - b. **Verwenden Sie die Geräte nicht in Umgebungen, in denen Explosionsgefahr z. B. aufgrund von brennbaren Flüssigkeiten, Gasen oder Staub besteht.** Geräte erzeugen Funken, die den Staub oder die Dämpfe entzünden können.
    - c. **Halten Sie Kinder und andere Personen während der Benutzung eines Geräts fern.** Bei Ablenkung können Sie die Kontrolle verlieren.
  2. **Elektrische Sicherheit**
    - a. **Der Netzstecker des Geräts muss in die Steckdose passen. Der Stecker darf in keiner Weise verändert werden. Verwenden Sie für Schutzgeerdete Geräte keine Adapterstecker.** Unveränderte Stecker und passende Steckdosen verringern das Risiko eines elektrischen Schlags.
    - b. **Vermeiden Sie Körperkontakt mit geerdeten Oberflächen von Rohren, Heizungen, Herden und Kühlschränken.** Es besteht ein erhöhtes Risiko eines elektrischen Schlags, wenn Ihr Körper geerdet ist.
  - c. **Halten Sie Geräte von Regen und Feuchtigkeit fern.** Das Eindringen von Wasser in ein Gerät erhöht das Risiko eines elektrischen Schlags.
  - d. **Verwenden Sie das Kabel ordnungsgemäß. Verwenden Sie es niemals zum Tragen. Trennen Sie das Gerät nicht durch Ziehen am Kabel vom Netz. Halten Sie das Kabel fern von Hitze, Öl, scharfen Kanten oder sich bewegenden Teilen.** Beschädigte oder verwickelte Kabel erhöhen das Risiko eines elektrischen Schlags.
  - e. **Verwenden Sie nur für den Außenbereich zugelassene Verlängerungskabel, wenn Sie mit dem Gerät im Freien arbeiten.** Die Verwendung eines für den Außenbereich geeigneten Verlängerungskabels verringert das Risiko eines elektrischen Schlags.
  - f. **Wenn das Gerät in einer feuchten Umgebung verwendet werden muss, schließen Sie es unbedingt an eine Steckdose mit Fehlerstromschutzschalter (RCD).** Die Verwendung eines Fehlerstromschutzschalters verringert das Risiko eines elektrischen Schlags.
3. **Sicherheit von Personen**
    - a. **Verwenden Sie das Gerät aufmerksam und vernünftig. Benutzen Sie das Gerät nicht, wenn Sie müde sind oder unter dem Einfluss von Drogen, Alkohol oder Medikamenten stehen.** Ein Moment der Unachtsamkeit beim Gebrauch von Geräten kann zu ernsthaften Verletzungen führen.
    - b. **Verwenden Sie eine geeignete Schutzausrüstung. Tragen Sie stets eine Schutzbrille.** Schutzausrüstung wie Staubmaske, rutschfeste Sicherheitsschuhe, Schutzhelm oder Gehörschutz, je nach Art und Einsatz des Geräts, verringert das Risiko von Verletzungen.
    - c. **Vermeiden Sie eine unbeabsichtigte Inbetriebnahme. Vergewissern Sie sich, dass das Gerät ausgeschaltet ist, bevor Sie es an eine Steckdose oder einen Akku anschließen, es hochheben oder tragen.** Durch das Tragen des Geräts mit dem Finger am Schalter oder durch das Anschließen eingeschalteter Geräte werden Unfälle provoziert.
    - d. **Entfernen Sie Einstell- oder Schraubenschlüssel, bevor Sie das Gerät einschalten.** Ein Schlüssel in einem sich drehenden Teil kann zu Verletzungen führen.

e. **Beugen Sie sich nicht zu weit nach vorne über. Achten Sie auf einen sicheren Stand, um in jeder Arbeitsposition das Gleichgewicht zu halten.** Dadurch können Sie das Gerät in unerwarteten Situationen besser unter Kontrolle halten.

f. **Tragen Sie geeignete Kleidung. Tragen Sie keine weite Kleidung oder Schmuck. Halten Sie Haare, Kleidung und Handschuhe fern von sich bewegenden Teilen.** Lockere Kleidung, Schmuck oder lange Haare können von sich bewegenden Teilen erfasst werden.

g. **Falls Staubabsaug- und -fangvorrichtungen vorhanden sind, vergewissern Sie sich, dass diese angeschlossen sind und richtig verwendet werden.** Das Verwenden einer Staubauffangvorrichtung verringert Gefährdungen durch Staub.

#### 4. Gebrauch und Pflege von Geräten

a. **Überlasten Sie das Gerät nicht. Verwenden Sie das für Ihre Arbeit passende Gerät.**

Durch das Arbeiten in dem für das Gerät angegebenen Leistungsbereich erzielen Sie nicht nur optimale Ergebnisse, Sie erhöhen auch die Sicherheit.

b. **Verwenden Sie das Gerät nicht, wenn der Ein-/Ausschalter nicht funktioniert.**

Ein Gerät, das sich nicht mehr ein- oder ausschalten lässt, ist gefährlich und muss repariert werden.

c. **Ziehen Sie den Stecker aus der Steckdose, und/oder trennen Sie das Gerät vom Akku, bevor Sie Einstellungen vornehmen, Zubehörteile wechseln oder das Gerät lagern.** Diese Vorsichtsmaßnahme verhindert den unbeabsichtigten Start des Geräts.

d. **Bewahren Sie unbenutzte Geräte außerhalb der Reichweite von Kindern auf. Lassen Sie Geräte nicht von Personen benutzen, die damit nicht vertraut sind oder diese Anweisungen nicht gelesen haben.** Geräte sind gefährlich, wenn sie von unerfahrenen Personen benutzt werden.

e. **Halten Sie Geräte in einem einwandfreien Zustand. Kontrollieren Sie, ob bewegliche Teile falsch ausgerichtet sind oder klemmen und ob Teile gebrochen oder so beschädigt sind, dass die Funktion des Geräts beeinträchtigt ist. Lassen Sie beschädigte Geräte vor dem Gebrauch reparieren.** Viele Unfälle haben ihre Ursache in schlecht gewarteten Geräten.

f. **Halten Sie Schneidwerkzeuge scharf und sauber.** Sorgfältig gepflegte Schneidwerkzeuge mit scharfen Schneidkanten verklemmen sich weniger und sind leichter zu führen.

g. **Verwenden Sie Geräte, Zubehör, Einsätze usw. entsprechend diesen Anweisungen, und berücksichtigen Sie dabei die Arbeitsbedingungen und die auszuführende Arbeit.** Der Gebrauch von Geräten für andere als die vorgesehenen Anwendungen kann zu gefährlichen Situationen führen.

#### 5. Service

a. **Lassen Sie das Gerät nur von qualifiziertem Fachpersonal und nur mit Originalersatzteilen reparieren.** So wird gewährleistet, dass die Sicherheit des Geräts erhalten bleibt.

#### Zusätzliche Sicherheitswarnungen für das Gerät



**Achtung!** Zusätzliche Sicherheitswarnungen für Bohrschrauber und Schlagbohrmaschinen

- ◆ **Tragen Sie bei der Arbeit mit Schlagbohrmaschinen einen Gehörschutz.** Ein hoher Geräuschpegel kann Gehörschäden verursachen.
- ◆ **Verwenden Sie die mitgelieferten Zusatzgriffe.** Wenn Sie die Kontrolle über das Gerät verlieren, kann dies zu Verletzungen führen.
- ◆ **Halten Sie das Gerät an den isolierten Griffflächen, wenn Sie Arbeiten ausführen, bei denen das Werkzeug ein verdecktes Kabel oder das Gerätekabel berühren könnte.** Der Kontakt mit stromführenden Leitungen kann auch offen liegende Metallteile am Gerät unter Strom setzen und zu einem Stromschlag führen.
- ◆ Verwenden Sie auf keinen Fall ein Meißelwerkzeug im Bohrmodus. Das Werkzeug setzt sich im Material fest und versetzt die Bohrmaschine in Rotation.
- ◆ Fixieren Sie das Werkstück mit Zwingen oder ähnlichen Hilfsmitteln auf einer stabilen Oberfläche. Ein Werkstück, das mit der Hand oder gegen den Körper gehalten wird, ist unzureichend befestigt und kann leicht außer Kontrolle geraten.
- ◆ Prüfen Sie vor dem Bohren in Wände, Fußböden oder Decken diese Stellen auf dahinter liegende Kabel oder Rohre.

- ◆ Berühren Sie die Spitze des Bohreinsatzes nicht unmittelbar nach dem Bohren, da diese heiß sein kann.
- ◆ In dieser Anleitung ist die bestimmungsgemäße Verwendung beschrieben. Die Verwendung von Zubehör oder Anbauteilen, die nicht in dieser Anleitung empfohlen sind, sowie die Bedienung des Geräts in Abweichung von den in dieser Anleitung beschriebenen Verfahren kann zu Verletzungen und/oder Sachschäden führen.

## Sicherheit anderer Personen

- ◆ Dieses Gerät darf nicht von Personen (einschließlich Kindern) mit eingeschränkten körperlichen, sensorischen oder geistigen Fähigkeiten sowie mangelnder Erfahrung und Kenntnissen bedient werden, es sei denn, sie werden bei der Verwendung des Geräts von einer erfahrenen Person beaufsichtigt oder angeleitet.
- ◆ Kinder müssen beaufsichtigt werden, um sicherzustellen, dass sie nicht mit dem Gerät spielen.

## Restrisiken.

Für den Gebrauch dieses Geräts verbleiben zusätzliche Restrisiken, die möglicherweise nicht in den Sicherheitswarnungen genannt werden. Diese Risiken bestehen beispielsweise bei Missbrauch oder längerem Gebrauch.

Auch bei der Einhaltung der entsprechenden Sicherheitsvorschriften und der Verwendung aller Sicherheitsgeräte bestehen weiterhin bestimmte Restrisiken. Diese werden im Folgenden aufgeführt:

- ◆ Das Berühren von sich drehenden/ bewegenden Teilen kann Verletzungen zur Folge haben.
- ◆ Der Austausch von Teilen, Messern oder Zubehör kann Verletzungen zur Folge haben.
- ◆ Der längere Gebrauch eines Geräts kann Verletzungen zur Folge haben. Legen Sie bei längerem Gebrauch regelmäßige Pausen ein.
- ◆ Beeinträchtigung des Gehörs.
- ◆ Gesundheitsrisiken durch das Einatmen von Staub beim Gebrauch des Geräts (beispielsweise bei Holzarbeiten, insbesondere Eiche, Buche und Pressspan).

## Vibration

Die in den Abschnitten „Technische Daten“ und „EG-Konformitätserklärung“ angegebenen Werte für die Vibrationsemission

wurden mit einer Standard-Prüfmethode nach EN 60745 ermittelt und können zum Vergleich verschiedener Geräte herangezogen werden. Außerdem kann mit Hilfe dieses Werts die Belastung bei Verwendung des Geräts schon im Voraus eingeschätzt werden.

**Achtung!** Die bei Verwendung des Geräts auftretende Vibrationsemission hängt von der Art des Gerätegebrauchs ab und kann dementsprechend von dem angegebenen Wert abweichen. Gegebenenfalls kann die Vibration über dem angegebenen Wert liegen.

Für die Ermittlung der Vibrationsbelastung müssen die tatsächlichen Einsatzbedingungen und Verwendungen des Geräts während des gesamten Arbeitsgangs berücksichtigt werden, einschließlich der Zeiten, wenn das Gerät nicht verwendet oder im Leerlauf betrieben wird. Diese Werte werden benötigt, um die gemäß 2002/44/EG erforderlichen Sicherheitsmaßnahmen zum Schutz von Personen festlegen zu können.

## Warnsymbole am Gerät

Am Gerät sind folgende Warnsymbole angebracht:



**Achtung!** Lesen Sie vor Gebrauch die Anleitung. Andernfalls besteht Verletzungsgefahr.

## Elektrische Sicherheit



Dieses Gerät ist schutzisoliert, daher ist keine Erdleitung erforderlich. Überprüfen Sie stets, ob die Netzspannung der auf dem Typenschild des Geräts angegebenen Spannung entspricht.

- ◆ Wenn das Netzkabel beschädigt ist, muss es durch den Hersteller oder eine Black & Decker Vertragswerkstatt ausgetauscht werden, um eine mögliche Gefährdung zu vermeiden.

## Merkmale

Dieses Gerät verfügt über einige oder alle der folgenden Merkmale.

1. Ein-/Ausschalter mit Geschwindigkeitsregler
2. Feststellknopf
3. Geschwindigkeitsvoreinstellung
4. Vor-/Zurückwahlschalter
5. Zwei-Gang-Auswahl
6. Bohrmodusschalter
7. Spannfutter
8. Tiefenbegrenzung
9. Seitlicher Haltegriff

## Montage

**Achtung!** Vergewissern Sie sich vor der Montage, dass das Gerät ausgeschaltet ist und der Netzstecker gezogen wurde.

### Anbringen des seitlichen Haltegriffs und der Tiefenbegrenzung (Abb. A)

- ◆ Drehen Sie den Griff entgegen dem Uhrzeigersinn, bis Sie den seitlichen Haltegriff (9) wie dargestellt über die Vorderseite des Geräts schieben können.
- ◆ Drehen Sie den seitlichen Haltegriff in die gewünschte Position.
- ◆ Setzen Sie die Tiefenbegrenzung (8) wie dargestellt in die vorgesehene Öffnung ein.
- ◆ Legen Sie die Bohrtiefe wie im Folgenden beschrieben fest.
- ◆ Befestigen Sie den seitlichen Haltegriff, indem Sie den Griff im Uhrzeigersinn drehen.

### Festlegen der Bohrtiefe (Abb. A)

- ◆ Lösen Sie den seitlichen Haltegriff (9), indem Sie den Griff gegen den Uhrzeigersinn drehen.
- ◆ Bringen Sie die Tiefenbegrenzung (8) in die gewünschte Position. Die maximale Bohrtiefe entspricht der Entfernung zwischen der Spitze des Bohreinsatzes und dem vorderen Ende der Tiefenbegrenzung.
- ◆ Befestigen Sie den seitlichen Haltegriff, indem Sie den Griff im Uhrzeigersinn drehen.

### Anbringen von Zubehörteilen (Abb. B bis D)

#### Schnellspannbohrfutter mit Spindelarretierung (wenn im Lieferumfang enthalten) (Abb. B)

- ◆ Öffnen Sie das Bohrfutter (7) indem Sie Hülse (11) gegen den Uhrzeigersinn drehen.
- ◆ Setzen Sie den Einsatz (12) in das Bohrfutter ein.
- ◆ Spannen Sie das Bohrfutter indem Sie Hülse im Uhrzeigersinn drehen.

#### Schnellspannbohrfutter (wenn im Lieferumfang enthalten) (Abb. C)

- ◆ Öffnen Sie das Bohrfutter, indem Sie den vorderen Teil (13) mit einer Hand drehen und den hinteren Teil (14) mit der anderen Hand festhalten.
- ◆ Setzen Sie einen Einsatz (12) in das Bohrfutter ein, und ziehen Sie dieses fest an.

### Schlüsselbohrfutter (wenn im Lieferumfang enthalten) (Abb. D)

- ◆ Öffnen Sie das Bohrfutter indem Sie Hülse (15) gegen den Uhrzeigersinn drehen.
- ◆ Setzen Sie den Einsatz (12) in das Bohrfutter ein.
- ◆ Setzen Sie den Bohrfutterschlüssel (16) in jedes Loch (17) an der Seite des Bohrfutters ein, um ziehen Sie den Bohrfutterschlüssel im Uhrzeigersinn fest an.

### Entfernen und erneutes Anbringen des Bohrfutters (Abb. E)

- ◆ Öffnen Sie das Bohrfutter so weit wie möglich.
- ◆ Entfernen Sie die Halteschraube im Inneren des Bohrfutters, indem Sie diese mit einem Schraubendreher im Uhrzeigersinn drehen.
- ◆ Spannen Sie einen Inbusschlüssel in das Bohrfutter, und schlagen Sie den Schlüssel wie gezeigt mit einem Hammer an.
- ◆ Entfernen Sie den Inbusschlüssel.
- ◆ Entfernen Sie das Bohrfutter durch Drehen gegen den Uhrzeigersinn.
- ◆ Zum Wiedereinbau des Bohrfutters schrauben Sie das Futter auf die Spindel und sichern es mit der zugehörigen Halteschraube.

## Verwendung

**Achtung!** Beschleunigen Sie den Arbeitsvorgang nicht mit Gewalt. Vermeiden Sie eine Überlastung des Geräts.

**Achtung!** Prüfen Sie vor dem Bohren in Wände, Fußböden oder Decken diese Stellen auf dahinter liegende Kabel oder Rohre.

### Auswählen des Bohrmodus

- ◆ Stellen Sie für Schlagbohrarbeiten in Mauerwerk und Beton den Bohrmodusschalter (6) auf die Einstellung **T1**.
- ◆ Wenn Sie in Stahl, Holz oder Kunststoffe bohren, stellen Sie den Bohrmodusschalter (6) auf die Einstellung **1**.

### Zwei-Gang-Auswahl (Abb. A)

- ◆ Bewegen Sie die Zwei-Gang-Auswahl (5) zum Bohren von Stahl sowie für Schraubanwendungen in die Stellung 1, indem Sie den Pfeil (10) auf die Zahl 1 (erster Gang) ausrichten.
- ◆ Bewegen Sie die Zwei-Gang-Auswahl (5) zum Bohren von anderen Materialien in die Stellung 2, indem Sie den Pfeil (10) auf die Zahl 2 (zweiter Gang) ausrichten.

## Auswählen der Drehrichtung

Verwenden Sie zum Bohren und Anziehen von Schrauben die Vorwärtsdrehung (im Uhrzeigersinn). Verwenden Sie zum Entfernen von Schrauben und verklemmten Bohreinsätzen die Rückwärtsdrehung (gegen den Uhrzeigersinn).

- ◆ Drücken Sie den Vor-/Zurückwahlschalter (4) nach links, um die Vorwärtsdrehung einzustellen.
- ◆ Drücken Sie den Vor/Zurückwahlschalter nach rechts, um die Rückwärtsdrehung einzustellen.

**Achtung!** Wechseln Sie auf keinen Fall die Drehrichtung, während der Motor läuft.

## Ein- und Ausschalten

- ◆ Um das Gerät einzuschalten, drücken Sie den Ein-/Ausschalter mit Geschwindigkeitsregler (1). Die Geschwindigkeit des Werkzeugs ist davon abhängig, wie tief Sie den Schalter eindrücken. Stellen Sie die Geschwindigkeitsvoreinstellung (3) auf den gewünschten Geschwindigkeitsbereich ein, wenn das Gerät dieser Funktion ausgestattet ist. Im Allgemeinen sollten Sie langsamere Geschwindigkeiten für Bohreinsätze mit großem Durchmesser und hohe Geschwindigkeiten für Bohreinsätze mit geringerem Durchmesser verwenden.
- ◆ Für das Arbeiten im Dauerbetrieb drücken Sie den Feststellknopf (2) und lassen den Geschwindigkeitsregler los. Diese Option steht nur bei voller Geschwindigkeit sowie in den mit der Geschwindigkeitsvoreinstellung (3) eingestellten Geschwindigkeitsbereichen zur Verfügung. Diese Option kann bei der Rückwärtsdrehung nicht verwendet werden.
- ◆ Um das Gerät auszuschalten, lassen Sie den Geschwindigkeitsregler los. Wenn sich das Gerät im Dauerbetrieb befindet, müssen Sie zum Ausschalten den Geschwindigkeitsregler erneut drücken und loslassen.

## Zubehörteile

Das verwendete Zubehör hat wesentlichen Einfluss auf die Leistung des Geräts. Zubehörteile von Black & Decker und Piranha erfüllen höchste Qualitätsstandards und wurden speziell für die Verwendung mit Ihrem Gerät entwickelt. Bei Verwendung dieses Zubehörs erhalten Sie stets optimale Ergebnisse.

## Wartung

Ihr Black & Decker Gerät (mit und ohne Netzkabel) wurde im Hinblick auf eine lange Lebensdauer und einen möglichst geringen Wartungsaufwand entwickelt. Ein dauerhafter, einwandfreier Betrieb setzt eine regelmäßige Pflege und Reinigung voraus.

**Achtung!** Vor dem Ausführen jeglicher Wartungsarbeiten an Geräten mit und ohne Netzkabel:

- ◆ Schalten Sie das Gerät aus, und ziehen Sie den Netzstecker.
- ◆ Wenn das Gerät über einen separaten Batteriepack oder Akku verfügt, schalten Sie das Gerät ab, und entnehmen Sie die Batterien aus dem Gerät.
- ◆ Wenn der Akku integriert ist, entladen Sie diesen vor dem Abschalten vollständig.
- ◆ Ziehen Sie das Ladegerät aus der Netzsteckdose, bevor Sie es reinigen. Das Ladegerät benötigt keine Wartung, es sollte aber regelmäßig gereinigt werden.
- ◆ Reinigen Sie regelmäßig die Lüftungsschlitze des Geräts und des Ladegeräts mit einer weichen Bürste oder einem trockenen Tuch.
- ◆ Reinigen Sie das Motorgehäuse regelmäßig mit einem feuchten Tuch. Verwenden Sie keine scheuernden Reinigungsmittel oder Reinigungsmittel auf Lösungsmittelbasis.
- ◆ Öffnen Sie regelmäßig das Spannfutter, und entfernen Sie durch Klopfen ggf. Staub aus dem Inneren des Geräts.

## Austauschen des Netzsteckers (nur Großbritannien und Irland)

Gehen Sie folgendermaßen vor, wenn ein neuer Netzstecker angeschlossen werden muss:

- ◆ Entsorgen Sie den alten Stecker auf sachgerechte Weise.
- ◆ Verbinden Sie die braune Leitung mit dem spannungsführenden Anschluss des Steckers.
- ◆ Verbinden Sie die blaue Leitung mit dem neutralen Anschluss.

**Achtung!** Der Erdleiter wird nicht angeschlossen. Befolgen Sie die Anleitungen, die dem Stecker beiliegen. Empfohlene Sicherung: 5 A.

## Umweltschutz



Getrennte Entsorgung. Dieses Produkt darf keinesfalls mit dem Hausmüll entsorgt werden.

Sollten Sie Ihr Black & Decker Produkt eines Tages ersetzen oder nicht mehr benötigen, entsorgen Sie es nicht mit dem Hausmüll. Führen Sie das Produkt einer getrennten Sammlung zu.



Durch die getrennte Sammlung von ausgedienten Produkten und Verpackungsmaterialien können Rohstoffe recycelt und wiederverwendet werden. Die Wiederverwendung aufbereiteter Materialien trägt zur Vermeidung der Umweltverschmutzung bei und senkt den Rohstoffbedarf.

Die Verordnung zur Abfallentsorgung Ihrer Gemeinde sieht möglicherweise vor, dass Elektrogeräte getrennt vom Hausmüll gesammelt, an der örtlichen Abfallentsorgungseinrichtung abgegeben oder beim Kauf eines neuen Produkts vom Fachhandel zur Entsorgung angenommen werden müssen.

Black & Decker nimmt Ihre ausgedienten Black & Decker Geräte gern zurück und sorgt für eine umweltfreundliche Entsorgung bzw. Wiederverwertung. Um diese Dienstleistung in Anspruch zu nehmen, geben Sie das Gerät bitte bei einer autorisierten Reparaturwerkstatt ab, die für uns die Einsammlung übernimmt.

Die Adresse der zuständigen Niederlassung von Black & Decker steht in dieser Anleitung. Dort teilt man Ihnen gerne die nächstgelegene Vertragswerkstatt mit. Eine Liste der Vertragswerkstätten und aller Kundendienststellen von Black & Decker sowie der zuständigen Ansprechpartner finden Sie auch im Internet unter: [www.2helpU.com](http://www.2helpU.com)

### Technische Daten

		<b>KR7532 (Typ 1)</b>	<b>KR8542 (Typ 1)</b>
Eingangsspannung	$V_{AC}$	230	230
Leistungsaufnahme	W	750	850
Leerlaufdrehzahl	$min^{-1}$	0-1100 / 0-3100	0-1100 / 0-3100
Schlagzahl	$min^{-1}$	0-18 700 / 0-52 700	0-18 700 / 0-52 700
Maximale Bohrtiefe			
Beton	mm	16	18
Stahl	mm	13	13
Holz	mm	50	50
Gewicht	kg	2,5	2,6

		<b>KR911 (Typ 1)</b>	<b>KR1102 (Typ 1)</b>
Eingangsspannung	$V_{AC}$	230	230
Leistungsaufnahme	W	910	1100
Leerlaufdrehzahl	$min^{-1}$	0-1100 / 0-3100	0-1100 / 0-3200
Schlagzahl	$min^{-1}$	0-18 700 / 0-52 700	0-18 700 / 0-54 400
Maximale Bohrtiefe			
Beton	mm	18	20
Stahl	mm	13	16
Holz	mm	50	50
Gewicht	kg	2,6	2,8

### Schalldruckpegel gemäß EN 60745:

Schalldruck ( $L_{pA}$ ) 100 dB(A), Unsicherheitsfaktor (K) 3 dB(A), Schalleistung ( $L_{WA}$ ) 111 dB(A), Unsicherheitsfaktor (K) 3 dB(A)

### Gesamtvibration (Triax-Vektorsumme) gemäß EN 60745:

Schlagbohren in Beton ( $a_{h, ID}$ ) 13,5 m/s<sup>2</sup>, Unsicherheitsfaktor (K) 1,5 m/s<sup>2</sup>, Metallbohren ( $a_{h, D}$ ) 4,3 m/s<sup>2</sup>, Unsicherheitsfaktor (K) 1,5 m/s<sup>2</sup>

## EG-Konformitätserklärung

MASCHINENRICHTLINIE



### KR7532, KR8542, KR911, KR1102

Black & Decker erklärt, dass diese unter „Technische Daten“ beschriebenen Geräte übereinstimmen mit: 2006/42/EG, EN 60745-1, EN 60745-2-1

Weitere Informationen erhalten Sie von Black & Decker unter der folgenden Adresse. Diese befindet sich auch auf der Rückseite dieser Anleitung.

Der Unterzeichnete ist verantwortlich für die Zusammenstellung der technischen Daten und gibt diese Erklärung im Namen von Black & Decker ab.

Kevin Hewitt  
Vice-President  
Global Engineering  
Black & Decker Europe,  
210 Bath Road, Slough,  
Berkshire, SL1 3YD  
Großbritannien  
11.05.2011

## Garantie

Black & Decker vertraut auf die Qualität der eigenen Geräte und bietet dem Käufer eine außergewöhnliche Garantie. Diese Garantiezusage versteht sich unbeschadet der gesetzlichen Gewährleistungsansprüche und schränkt diese keinesfalls ein. Sie gilt in sämtlichen Mitgliedstaaten der Europäischen Union und der Europäischen Freihandelszone EFTA.

Tritt innerhalb von 24 Monaten ab Kaufdatum an einem Gerät von Black & Decker ein auf Material- oder Verarbeitungsfehler zurückzuführender Mangel auf, garantiert Black & Decker den Austausch defekter Teile, die Reparatur von Geräten mit üblichem Verschleiß bzw. den Austausch eines mangelhaften Gerätes, ohne den Kunden dabei mehr als unbedingt nötig in Anspruch zu nehmen, allerdings vorbehaltlich folgender Ausnahmen:

- ◆ wenn das Gerät gewerblich, beruflich oder im Verleihgeschäft benutzt wurde;
- ◆ wenn das Gerät missbräuchlich verwendet oder mit mangelnder Sorgfalt behandelt wurde;
- ◆ wenn das Gerät durch irgendwelche Fremdeinwirkung beschädigt wurde;
- ◆ wenn ein unbefugter Reparaturversuch durch anderes Personal als das einer Vertragswerkstatt oder des Black & Decker Kundendienstes unternommen wurde.

Zur Inanspruchnahme dieser Garantie ist dem Verkäufer bzw. der Vertragswerkstatt ein Kaufnachweis vorzulegen. Die Adresse der zuständigen Niederlassung von Black & Decker steht in dieser Anleitung. Dort teilt man Ihnen gerne die nächstgelegene Vertragswerkstatt mit. Eine Liste der Vertragswerkstätten und aller Kundendienststellen von Black & Decker sowie der zuständigen Ansprechpartner finden Sie auch im Internet unter: **[www.2helpU.com](http://www.2helpU.com)**.

Bitte besuchen Sie unsere Website **[www.blackanddecker.de](http://www.blackanddecker.de)**, um Ihr neues Black & Decker Produkt zu registrieren. Dort erhalten Sie auch Informationen über neue Produkte und Sonderangebote. Weitere Informationen über die Marke Black & Decker und unsere Produkte finden Sie unter **[www.blackanddecker.de](http://www.blackanddecker.de)**.



## Utilisation

Votre perceuse à percussion Black & Decker peut visser et percer le bois, le métal, le plastique et la pierre. Cet outil est destiné à une utilisation exclusivement domestique.

## Consignes de sécurité

### Consignes de sécurité concernant les outils électroportatifs



**Attention! Lisez avec attention tous les avertissements et toutes les instructions.** Le non-respect de cette consigne peut entraîner une électrocution, un incendie et/ou de graves blessures.

### Conservez tous les avertissements et instructions pour référence ultérieure.

La notion «d'outil électroportatif» mentionnée dans les consignes de sécurité se rapporte à des outils électriques raccordés au secteur (avec câble de raccordement) ou fonctionnant sur piles ou batterie (sans fil).

1. **Sécurité de la zone de travail**
  - a. **Maintenez la zone de travail propre et bien éclairée.** Un lieu de travail en désordre ou mal éclairé augmente le risque d'accidents.
  - b. **N'utilisez pas les outils électroportatifs dans un environnement présentant des risques d'explosion ni en présence de liquides, gaz ou poussières inflammables.** Les outils électroportatifs génèrent des étincelles risquant d'enflammer les poussières ou les vapeurs.
  - c. **Pendant l'utilisation d'un outil électroportatif, les enfants et autres personnes doivent rester éloignés.** En cas d'inattention, vous risquez de perdre le contrôle de l'outil.
2. **Sécurité électrique**
  - a. **La prise de l'outil électroportatif doit être compatible avec la prise d'alimentation. Ne modifiez en aucun cas la prise. N'utilisez pas de prises d'adaptateur avec des appareils ayant une prise de terre.** Le respect de ces consignes réduit le risque de choc électrique.
  - b. **Évitez le contact physique avec des surfaces mises à la terre telles que tuyaux, radiateurs, fours et réfrigérateurs.** Le risque de choc électrique augmente si votre corps est relié à la terre.
- c. **N'exposez pas l'outil électroportatif à la pluie ou à l'humidité.** La pénétration d'eau dans un outil électroportatif augmente le risque de choc électrique.
- d. **Préservez le câble d'alimentation. N'utilisez pas le câble pour porter l'outil, pour l'accrocher. Ne le tirez pas pour le débrancher. Maintenez le câble éloigné des sources de chaleurs, des parties huilées, des bords tranchants ou des pièces en rotation.** Le risque de choc électrique augmente si les câbles sont endommagés ou emmêlés.
- e. **Si vous utilisez l'outil électroportatif à l'extérieur, utilisez une rallonge homologuée pour une utilisation à l'extérieur.** L'utilisation d'une rallonge électrique homologuée pour les travaux à l'extérieur réduit le risque de choc électrique.
- f. **Si l'outil doit être utilisé dans un endroit humide, prenez les précautions nécessaires en utilisant un dispositif à courant résiduel (RCD).** L'utilisation d'un tel dispositif réduit les risques d'électrocution.
3. **Sécurité personnelle**
  - a. **Restez vigilant, surveillez ce que vous faites. Faites preuve de bon sens quand vous utilisez un outil électroportatif. N'utilisez pas l'outil lorsque vous êtes fatigué ou après avoir consommé de l'alcool ainsi que des médicaments.** Un moment d'inattention en utilisant l'outil peut entraîner de graves blessures.
  - b. **Portez un équipement de protection. Portez toujours des lunettes de protection.** Selon le travail à effectuer, le port d'équipement de protection tels que masque anti-poussières, chaussures de sécurité antidérapantes, casque ou protection auditive, réduit le risque de blessures.
  - c. **Évitez un démarrage imprévu. L'appareil doit être en position OFF (arrêt) avant d'effectuer le branchement à l'alimentation et/ou au bloc-batterie, de le ramasser ou de le porter.** Ne laissez pas votre doigt sur le bouton de commande en le transportant. N'alimentez pas l'outil si le bouton est activé. Ceci pourrait être à l'origine d'accident.
  - d. **Retirez les outils ou clés de réglage avant de mettre l'outil en marche.** Une clé ou un outil se trouvant sur une partie en rotation peut causer des blessures.
  - e. **Adoptez une position confortable. Adoptez une position stable et gardez**

**vosre équilibre en permanence.** Vous contrôlerez ainsi mieux l'outil dans des situations inattendues.

- f. **Portez des vêtements appropriés. Ne portez pas de vêtements amples ou de bijoux. N'approchez pas les cheveux, vêtements ou gants des parties des pièces mobiles.** Les vêtements amples, les bijoux ou les cheveux longs peuvent s'accrocher dans les pièces en mouvement.
- g. **En cas d'utilisation d'appareils servant à aspirer ou à recueillir les poussières, assurez-vous qu'ils sont correctement raccordés et utilisés.** L'utilisation de tels dispositifs réduit les dangers dus aux poussières.

#### 4. Utilisation des outils électroportatifs et précautions

- a. **Respectez la capacité de l'outil. Utilisez l'outil électroportatif approprié pour le travail à effectuer.** Avec un outil approprié, vous travaillerez mieux et en toute sécurité.
- b. **N'utilisez pas un outil électroportatif dont le bouton marche/arrêt est défectueux.** Un outil électroportatif qui ne répond pas à la commande marche/arrêt est dangereux et doit être réparé.
- c. **Retirez la prise de courant et/ou débranchez le bloc-batterie avant d'effectuer des réglages, de changer les accessoires ou de ranger l'outil.** Cette mesure de précaution empêche de mettre l'outil en marche accidentellement.
- d. **Rangez les outils électroportatifs hors de portée des enfants. Les personnes ne connaissant pas l'outil ou n'ayant pas lu ces instructions ne doivent en aucun cas l'utiliser.** Les outils électroportatifs sont dangereux lorsqu'ils sont utilisés par des personnes non initiées.
- e. **Entretenez les outils électroportatifs. Vérifiez que les parties en mouvement fonctionnent correctement et qu'elles ne sont pas coincées. Vérifiez qu'il n'y a pas de pièces cassées ou endommagées susceptibles de nuire au bon fonctionnement de l'outil. S'il est endommagé, faites réparer l'outil avant de l'utiliser.** De nombreux accidents sont la conséquence d'outils mal entretenus.
- f. **Les outils de coupe doivent toujours être aiguisés et propres.** Des outils soigneusement entretenus avec des bords tranchants bien aiguisés se coincent

moins souvent et peuvent être guidés plus facilement.

- g. **Utilisez les outils électroportatifs, les accessoires, etc., en suivant ces instructions et en tenant compte des conditions de travail, ainsi que du travail à effectuer.** L'utilisation des outils électroportatifs à d'autres fins que celles prévues peut vous mettre en situation dangereuse.
- #### 5. Réparations
- a. **Faites réparer votre outil électroportatif uniquement par du personnel qualifié et seulement avec des pièces de rechange appropriées.** Cela garantira le maintien de la sécurité de votre outil.

### Consignes de sécurité supplémentaires concernant les outils électroportatifs



**Attention!** Prendre encore plus de précautions pour les perceuses et les perceuses à percussion.

- ◆ **Portez un serre-tête antibruit si vous utilisez une perceuse à percussion.** L'exposition au bruit peut entraîner la perte de l'ouïe.
- ◆ **Utilisez les poignées auxiliaires livrées avec l'outil.** La perte de contrôle peut entraîner des blessures.
- ◆ **Tenez l'outil au niveau des surfaces de prise isolées. Ceci permet d'éviter les accidents en cas de contact de l'accessoire de coupe avec des fils cachés ou son propre câble.** En touchant un fil sous tension, la charge électrique passe dans les parties métalliques de l'outil électroportatif et il y a risque de choc électrique.
- ◆ N'utilisez jamais un burin en mode rotatif. L'accessoire peut se tordre à l'intérieur du matériel et faire tourner le foret.
- ◆ Utilisez des pinces ou autres pour fixer et soutenir la pièce de manière stable. Si vous la tenez à la main ou contre votre corps, elle ne sera pas stable et vous pouvez en perdre le contrôle.
- ◆ Avant de percer les murs, les planchers ou les plafonds, vérifiez l'emplacement des câblages et des tuyaux.
- ◆ Évitez de toucher le bout d'un foret juste après avoir percé. Il peut être chaud.
- ◆ Les consignes d'utilisation sont données dans ce manuel d'instructions. L'utilisation d'un accessoire ou d'une fixation, ou bien

l'utilisation de cet outil à d'autres fins que celles recommandées dans ce manuel d'instructions peut entraîner des blessures et/ou des dommages matériels.

## Sécurité des personnes

- ◆ Cet outil ne doit pas être utilisé par des personnes (y compris les enfants) ayant des déficiences physiques, mentales ou sensorielles. Cette consigne s'applique aussi aux personnes manquant d'expérience et de connaissance du matériel, à moins que celles-ci n'aient reçu les instructions appropriées ou qu'elles ne soient encadrées par une personne responsable de leur sécurité pour utiliser l'outil.
- ◆ Ne laissez jamais les enfants sans surveillance pour éviter qu'ils ne jouent avec cet outil.

## Risques résiduels.

L'utilisation d'un outil non mentionné dans les consignes de sécurité données peut entraîner des risques résiduels supplémentaires. Ces risques peuvent survenir si l'outil est mal utilisé, si l'utilisation est prolongée, etc.

Malgré l'application des normes de sécurité correspondantes et la présence de dispositifs de sécurité, les risques résiduels suivants ne peuvent être évités. Ceci comprend:

- ◆ Les blessures dues au contact avec une pièce mobile/en rotation.
- ◆ Les blessures causées en changeant des pièces, lames ou accessoires.
- ◆ Les blessures dues à l'utilisation prolongée d'un outil. Une utilisation prolongée de l'outil nécessite des pauses régulières.
- ◆ Déficience auditive.
- ◆ Risques pour la santé causés par l'inhalation de poussières produites pendant l'utilisation de l'outil (exemple: travail avec du bois, surtout le chêne, le hêtre et les panneaux en MDF).

## Vibration

La valeur des émissions de vibration déclarée dans la section Déclaration/Données techniques de conformité a été mesurée selon une méthode d'essai standard fournie par la norme EN 60745 et peut être utilisée pour comparer un outil à un autre. Elle peut aussi être utilisée pour une évaluation préliminaire à l'exposition.

**Attention!** Selon la manière dont l'outil est utilisé, la valeur des émissions de vibration pendant l'utilisation de l'outil peut être différente de la valeur déclarée. Le niveau de vibration peut augmenter au-dessus du niveau établi.

Quand l'exposition aux vibrations est évaluée afin de déterminer les mesures de sécurité requises par la norme 2002/44/CE pour protéger les personnes utilisant régulièrement des outils électroportatifs, il faut tenir compte d'une estimation de l'exposition aux vibrations, des conditions actuelles d'utilisation et de la manière dont l'outil est utilisé. Il faut aussi tenir compte de toutes les pièces du cycle de fonctionnement comme la durée pendant laquelle l'outil est arrêté et quand il fonctionne au ralenti, ainsi que la durée du déclenchement.

## Étiquettes de l'outil

Les pictogrammes ci-dessous se trouvent sur l'appareil:



**Attention!** Pour réduire le risque de blessures, l'utilisateur doit lire le manuel d'instructions.

## Sécurité électrique



Cet outil est doublement isolé. Par conséquent, aucun câble de mise à la terre n'est nécessaire. Vérifiez si l'alimentation mentionnée sur la plaque signalétique de l'outil correspond bien à la tension présente sur le lieu.

- ◆ Si le câble d'alimentation est endommagé, il doit être remplacé par le fabricant ou par un Centre de réparation Black & Decker agréé pour éviter tout danger.

## Caractéristiques

Cet appareil comprend certains, ou tous, les éléments suivants.

1. Sélecteur de vitesse
2. Bouton de verrouillage
3. Bouton de commande de variation de vitesse
4. Bouton de commande avant/arrière
5. Sélecteur deux vitesses
6. Sélecteur de mode de perçage
7. Mandrin
8. Butée de profondeur
9. Poignée latérale

## Assemblage

**Attention!** Avant l'assemblage, assurez-vous que l'outil est éteint et débranché.

## Installation de la poignée latérale et de la butée de profondeur (figure A)

- ◆ Tournez le manche dans le sens inverse des aiguilles d'une montre jusqu'à ce que la poignée latérale (9) puisse glisser sur l'avant de l'outil.
- ◆ Tournez la poignée latérale dans la position désirée.
- ◆ Insérez la butée de profondeur (8) dans l'orifice de montage, comme indiqué.
- ◆ Ajustez la profondeur de perçage comme décrit ci-dessous.
- ◆ Serrez la poignée latérale en tournant le manche dans le sens des aiguilles d'une montre.

## Réglage de la profondeur de perçage (figure A)

- ◆ Relâchez la poignée latérale (9) en tournant le manche dans le sens inverse des aiguilles d'une montre.
- ◆ Réglez la butée de profondeur (8) à la position désirée. La profondeur de perçage maximale est égale à la distance entre le bout du foret et l'extrémité avant de la butée de profondeur.
- ◆ Serrez la poignée latérale en tournant le manche dans le sens des aiguilles d'une montre.

## Installation d'un accessoire (figures B et D)

### Mandrin auto-serrant avec l'axe de verrouillage (le cas échéant) (figure B)

- ◆ Ouvrez le mandrin (7) en tournant le manchon (11) dans le sens inverse des aiguilles d'une montre.
- ◆ Insérez la tige du foret (12) dans le mandrin.
- ◆ Serrez le mandrin en tournant le manchon dans le sens inverse des aiguilles d'une montre.

### Mandrin auto-serrant (le cas échéant) (figure C)

- ◆ Ouvrez le mandrin en tournant la partie avant (13) avec une main tout en maintenant la partie arrière (14) de l'autre main.
- ◆ Insérez la tige du foret (12) dans le mandrin. Serrez ensuite le mandrin fermement.

### Mandrin à clé (le cas échéant) (figure D)

- ◆ Ouvrez le mandrin en tournant le manchon (15) dans le sens inverse des aiguilles d'une montre.
- ◆ Insérez la tige du foret (12) dans le mandrin.

- ◆ Insérez la clé du mandrin (16) dans chaque trou (17) sur le côté du mandrin et tournez dans le sens des aiguilles d'une montre pour serrer.

## Retrait et réinstallation du mandrin (figure E)

- ◆ Ouvrez le mandrin le plus possible.
- ◆ Retirez la vis de fixation à l'intérieur du mandrin en la tournant dans le sens des aiguilles d'une montre avec un tournevis.
- ◆ Serrez une clé Allen dans le mandrin. Terminez le serrage en tapant avec un marteau, comme indiqué.
- ◆ Retirez la clé Allen.
- ◆ Retirez le mandrin en le tournant dans le sens inverse des aiguilles d'une montre.
- ◆ Pour remplacer le mandrin, vissez-le sur l'axe et utilisez la vis de fixation pour le serrer.

## Utilisation

**Attention!** Laissez l'outil fonctionner à sa propre vitesse. Ne le poussez pas au-delà de sa limite.

**Attention!** Avant de percer les murs, les planchers ou les plafonds, vérifiez l'emplacement des câblages et des tuyaux.

## Sélection du mode de perçage

- ◆ Pour percer de la pierre et du béton, réglez le sélecteur de mode de fonctionnement (6) en position **T1**.
- ◆ Pour percer dans l'acier, le bois et le plastique, réglez le sélecteur de mode (6) en position **1**.

## Sélecteur deux vitesses (figure A)

- ◆ Pour percer dans l'acier et pour les applications de vissage, tournez le sélecteur deux vitesses (5) en position 1 en alignant la flèche (10) avec le chiffre 1 (1ère vitesse).
- ◆ Pour percer dans des matériaux autres que l'acier, tournez le sélecteur deux vitesses (5) en position 2 en alignant la flèche (10) avec le chiffre 2 (2ème vitesse).

## Sélection du sens de rotation

Pour percer et pour serrer les vis, utilisez la rotation dans le sens des aiguilles d'une montre. Pour desserrer les vis ou retirer un foret bloqué, utilisez la rotation dans le sens inverse des aiguilles d'une montre.

- ◆ Pour sélectionner la rotation dans le sens des aiguilles d'une montre, poussez le bouton de commande avant/arrière (4) vers la gauche.

- ◆ Pour sélectionner la rotation dans le sens inverse des aiguilles d'une montre, poussez le bouton de commande avant/arrière vers la droite.

**Attention!** Ne changez jamais le sens de rotation quand le moteur tourne.

### Mise en marche et arrêt

- ◆ Pour mettre l'outil en marche, appuyez sur le sélecteur de vitesse (1). La vitesse de l'outil dépend de la pression sur le bouton. Si l'outil possède un bouton de commande de variation de vitesse (3), sélectionnez la vitesse désirée. Normalement, les vitesses lentes correspondent aux forets à large diamètre et les vitesses rapides aux forets de faible diamètre.
- ◆ En mode continu, appuyez sur le bouton de verrouillage (2) et relâchez le sélecteur de vitesse. Cette option est disponible uniquement à la vitesse max. ou à n'importe quelle vitesse pré-réglée avec le bouton de commande de sélection de vitesse (3). Cette option ne fonctionne pas en rotation inverse.
- ◆ Pour arrêter l'outil, relâchez le sélecteur de vitesse. Pour arrêter l'outil quand celui-ci est en mode continu, appuyez de nouveau sur le sélecteur, puis relâchez-le.

### Accessoires

La qualité de travail réalisé par votre outil dépend des accessoires utilisés. Les accessoires Black & Decker et Piranha correspondent aux normes de qualité supérieure et sont conçus pour donner le meilleur résultat possible. En utilisant ces accessoires, votre outil vous donnera entière satisfaction.

### Entretien

Votre appareil/outil sans fil/avec fil Black & Decker a été conçu pour fonctionner pendant longtemps avec un minimum d'entretien. Un fonctionnement continu satisfaisant dépend d'un nettoyage régulier et d'un entretien approprié de l'outil.

**Attention!** À ne pas oublier avant l'entretien des appareils électriques sans fil/avec fil:

- ◆ Arrêtez l'appareil/outil, puis débranchez-le.
- ◆ Ou, arrêtez l'appareil et retirez la batterie de l'appareil/outil si celui-ci est muni d'un bloc-batterie séparé.
- ◆ Ou bien déchargez complètement la batterie si elle est intégrée au système, puis arrêtez l'appareil (position Off).

- ◆ Débranchez le chargeur avant de le nettoyer. Aucun entretien particulier n'est nécessaire pour le chargeur en dehors du nettoyage régulier.
- ◆ Nettoyez régulièrement les orifices de ventilation de votre appareil/outil/chargeur à l'aide d'une brosse souple ou d'un chiffon sec.
- ◆ Nettoyez régulièrement le compartiment du moteur à l'aide d'un chiffon humide. N'utilisez pas de produit abrasif ou à base de solvant.
- ◆ Ouvrez régulièrement le mandrin et retirez la poussière à l'intérieur en le tapant (si installé).

### Remplacement des prises secteur (RU et Irlande uniquement)

Si une nouvelle prise secteur doit être installée:

- ◆ Mettez au rebut la vieille prise.
- ◆ Branchez le fil brun dans la borne de la nouvelle prise.
- ◆ Branchez le fil bleu à la borne neutre.

**Attention!** Aucune connexion ne doit être faite à la borne de terre. Suivez les instructions de montage fournies avec les prises de bonne qualité. Fusibles recommandés: 5 A.

### Protection de l'environnement



Recyclage. Cet appareil ne doit pas être jeté avec les déchets ménagers.

Si votre appareil/outil Black & Decker doit être remplacé ou si vous ne l'utilisez plus, ne le jetez pas avec les ordures ménagères. Songez à la protection de l'environnement et recyclez-le.



La collecte séparée des produits et des emballages usagés permet de recycler et de réutiliser des matériaux. La réutilisation de matériaux recyclés évite la pollution de l'environnement et réduit la demande de matières premières.

Des réglementations locales peuvent stipuler la collecte séparée des produits électriques et des produits ménagers, dans des déchetteries municipales ou par le revendeur lorsque vous achetez un nouveau produit.

Black & Decker offre une solution permettant de recycler les produits Black & Decker lorsqu'ils ont atteint la fin de leur cycle de vie. Pour pouvoir profiter de ce service, veuillez retourner votre produit à un réparateur agréé qui se chargera de le collecter pour nous.

Pour connaître l'adresse du réparateur agréé le plus proche de chez vous, contactez le bureau Black & Decker à l'adresse indiquée dans ce manuel. Vous pourrez aussi trouver une liste de réparateurs agréés Black & Decker et de plus amples détails sur notre service après-vente sur le site Internet à l'adresse suivante:  
**www.2helpU.com**

## Caractéristiques techniques

		KR7532 (Type 1)	KR8542 (Type 1)
Tension d'entrée	$V_{AC}$	230	230
Puissance	W	750	850
Aucune vitesse de charge	$\text{min}^{-1}$	0-1100 / 0-3100	0-1100 / 0-3100
Résistance au choc	$\text{min}^{-1}$	0-18 700 / 0-52 700	0-18 700 / 0-52 700
Capacité max de perçage			
Béton	mm	16	18
Acier	mm	13	13
Bois	mm	50	50
Poids	kg	2,5	2,6

		KR911 (Type 1)	KR1102 (Type 1)
Tension d'entrée	$V_{AC}$	230	230
Puissance	W	910	1100
Aucune vitesse de charge	$\text{min}^{-1}$	0-1100 / 0-3100	0-1100 / 0-3200
Résistance au choc	$\text{min}^{-1}$	0-18 700 / 0-52 700	0-18 700 / 0-54 400
Capacité max de perçage			
Béton	mm	18	20
Acier	mm	13	16
Bois	mm	50	50
Poids	kg	2,6	2,8

### Niveau de pression sonore selon la norme EN 60745:

Pression sonore ( $L_{pA}$ ) 100 dB(A), incertitude (K) 3 dB(A),  
Puissance sonore ( $L_{WA}$ ) 111 dB(A), incertitude (K) 3 dB(A)

### Valeurs totales des vibrations (somme vectorielle triaxiale) selon la norme EN 60745:

Perçage à percussion, béton ( $a_{h, ID}$ ) 13,5  $\text{m/s}^2$ , incertitude (K) 1,5  $\text{m/s}^2$ , Perçage, métal ( $a_{h, D}$ ) 4,3  $\text{m/s}^2$ , incertitude (K) 1,5  $\text{m/s}^2$

## Déclaration de conformité CE

CONSIGNES DE MACHINERIE



**KR7532, KR8542, KR911, KR1102**

Black & Decker confirme que les produits décrits dans les «Données techniques» sont conformes aux normes: 2006/42/EC, EN 60745-1, EN 60745-2-1

Pour plus de détails, veuillez contacter Black & Decker à l'adresse suivante ou reportez-vous au dos du manuel.

Le soussigné est responsable des données de la fiche technique et fait cette déclaration au nom de Black & Decker.

Kevin Hewitt  
Vice-Président - ingénierie internationale  
Black & Decker Europe,  
210 Bath Road, Slough,  
Berkshire, SL1 3YD  
Royaume-Uni  
11.05.2011

## Garantie

Black & Decker assure la qualité de ses produits et vous offre une garantie très large. Ce certificat de garantie est un document supplémentaire et ne peut en aucun cas se substituer à vos droits légaux. La garantie est valable sur tout le territoire des États Membres de l'Union Européenne et de la Zone de Libre Échange Européenne.

Si un produit Black & Decker s'avère défectueux en raison de matériaux en mauvaises conditions, d'une erreur humaine, ou d'un manque de conformité dans les 24 mois suivant la date d'achat, Black & Decker garantit le remplacement des pièces défectueuses, la réparation des produits usés ou cassés ou remplace ces produits à la convenance du client, sauf dans les circonstances suivantes:

- ◆ Le produit a été utilisé dans un but commercial, professionnel, ou a été loué;
- ◆ Le produit a été mal utilisé ou utilisé avec négligence;
- ◆ Le produit a subi des dommages à cause d'objets étrangers, de substances ou à cause d'accidents;
- ◆ Des réparations ont été tentées par des techniciens ne faisant pas partie du service technique de Black & Decker.

Pour avoir recours à la garantie, il est nécessaire de fournir une preuve d'achat au vendeur ou à un réparateur agréé. Pour connaître l'adresse du réparateur agréé le plus proche de chez vous, contactez le bureau Black & Decker à l'adresse indiquée dans ce manuel. Vous pourrez aussi trouver une liste de réparateurs agréés Black & Decker et de plus amples détails sur notre service après-vente sur le site Internet à l'adresse suivante: **www.2helpU.com**.

Visitez notre site Web

**www.blackanddecker.fr** pour enregistrer votre nouveau produit Black & Decker et être informé des nouveaux produits et des offres spéciales. Pour plus d'informations concernant la marque Black & Decker et notre gamme de produits, consultez notre site **www.blackanddecker.fr**.

## Použití výrobku

Vaše příklepová vrtačka Black & Decker je určena pro vrtání do dřeva, kovu, plastů a zdiva, a také pro šroubování. Toto nářadí je určeno pouze pro spotřebitelské použití.

## Bezpečnostní pokyny

### Všeobecné bezpečnostní pokyny pro práci s elektrickým nářadím



**Varování! Přečtěte si všechny bezpečnostní výstrahy a pokyny.** Nedodržení níže uvedených pokynů může mít za následek úraz elektrickým proudem, vznik požáru nebo vážné poranění.

**Veškerá bezpečnostní varování a pokyny uschovejte pro případné další použití.** Termín „elektrické nářadí“ ve všech upozorněních odkazuje na vaše nářadí napájené ze sítě (je opatřeno napájecím kabelem) nebo nářadí napájené baterií (bez napájecího kabelu).

#### 1. Bezpečnost v pracovním prostoru

- a. **Pracovní prostor udržujte čistý a dobře osvětlený.** Přeplněný a neosvětlený pracovní prostor může vést k způsobení úrazů.
- b. **Neppracujte s elektrickým nářadím ve výbušném prostředí, jako jsou například prostory s výskytem hořlavých kapalin, plynů nebo prašných látek.** V elektrickém nářadí dochází k jiskření, které může způsobit vznícení hořlavého prachu nebo výparů.
- c. **Při práci s elektrickým nářadím zajistěte bezpečnou vzdálenost dětí a ostatních osob.** Rozptylování může způsobit ztrátu kontroly nad nářadím.

#### 2. Elektrická bezpečnost

- a. **Zástrčka napájecího kabelu nářadí musí odpovídat zásuvce. Zástrčku nikdy žádným způsobem neupravujte. Nepoužívejte u uzemněného elektrického nářadí žádné upravené zástrčky.** Neupravené zástrčky a odpovídající zásuvky snižují riziko vzniku úrazu elektrickým proudem.
- b. **Nedotýkejte se uzemněných povrchů, jako jsou například potrubí, radiátory, elektrické sporáky a chladničky.** Při uzemnění vašeho těla vzrůstá riziko úrazu elektrickým proudem.
- c. **Nevystavujte elektrické nářadí dešti nebo vlhkému prostředí.** Vnikne-li do elektrického

nářadí voda, zvýší se riziko úrazu elektrickým proudem.

- d. **S napájecím kabelem zacházejte opatrně. Nikdy nepoužívejte napájecí kabel k přenášení nebo posouvání nářadí a netahajte za něj, chcete-li nářadí odpojit od elektrické sítě. Zabraňte kontaktu kabelu s mastnými, horkými a ostrými předměty nebo pohyblivými částmi.** Poškozený nebo zauzlený napájecí kabel zvyšuje riziko úrazu elektrickým proudem.
  - e. **Při práci s nářadím venku používejte prodlužovací kabely určené pro venkovní použití.** Použití kabelu pro venkovní použití snižuje riziko úrazu elektrickým proudem.
  - f. **Při práci s elektrickým nářadím ve vlhkém prostředí musí být v napájecím okruhu použit proudový chránič (RCD).** Použití proudového chrániče (RCD) snižuje riziko úrazu elektrickým proudem.
- ### 3. Bezpečnost obsluhy
- a. **Při použití elektrického nářadí zůstaňte stále pozorní, sledujte, co provádíte a pracujte s rozvahou. Nepoužívejte elektrické nářadí, jste-li unaveni nebo jste-li pod vlivem drog, alkoholu nebo léků.** Chvilka nepozornosti při práci s elektrickým nářadím může vést k vážnému úrazu.
  - b. **Používejte prvky osobní ochrany. Vždy používejte ochranu zraku.** Ochranné prostředky jako respirátor, neklouzavá pracovní obuv, přilba a chrániče sluchu, používané v příslušných podmínkách, snižují riziko poranění osob.
  - c. **Zabraňte náhodnému spuštění nářadí. Před připojením zdroje napětí nebo před vložením baterie a před zvednutím nebo přenášením nářadí zkontrolujte, zda je vypnutý hlavní spínač.** Přenášení elektrického nářadí s prstem na hlavním spínači nebo připojení napájecího kabelu k elektrické síti, je-li hlavní spínač nářadí v poloze zapnuto, může způsobit úraz.
  - d. **Před spuštěním nářadí se vždy ujistěte, zda nejsou v jeho blízkosti klíče nebo seřizovací přípravky.** Seřizovací klíče ponechané na nářadí mohou být zachyceny rotujícími částmi nářadí a mohou způsobit úraz.
  - e. **Nepřekázejte sami sobě. Při práci vždy udržujte vhodný a pevný postoj.** Tak je umožněna lepší ovladatelnost nářadí v neočekávaných situacích.



- f. **Vhodně se oblékejte. Nenoste volný oděv nebo šperky. Dbejte na to, aby se vaše vlasy, oděv a rukavice nedostaly do kontaktu s pohyblivými částmi.** Volný oděv, šperky nebo dlouhé vlasy mohou být pohyblivými díly zachyceny.
- g. **Jsou-li zařízení vybavena adaptérem pro připojení příslušenství k zachytávání prachu, zajistěte jeho správné připojení a řádnou funkci.** Použití těchto zařízení může snížit nebezpečí týkající se prachu.
4. **Použití elektrického nářadí a jeho údržba**
- a. **Elektrické nářadí nepřetěžujte. Používejte pro prováděnou práci správný typ nářadí.** Při použití správného typu nářadí bude práce provedena lépe a bezpečněji.
- b. **Pokud nelze hlavní spínač nářadí zapnout a vypnout, s nářadím nepracujte.** Každé elektrické nářadí s nefunkčním hlavním spínačem je nebezpečné a musí být opraveno.
- c. **Před seřizováním nářadí, před výměnou příslušenství nebo pokud nářadí nepoužíváte, odpojte zástrčku napájecího kabelu od zásuvky nebo z nářadí vyjměte baterii.** Tato preventivní bezpečnostní opatření snižují riziko náhodného spuštění nářadí.
- d. **Uložte elektrické nářadí mimo dosah dětí a nedovolte ostatním osobám, které toto nářadí neumí ovládat nebo které neznají tyto bezpečnostní pokyny, aby s tímto elektrickým nářadím pracovaly.** Elektrické nářadí je v rukou nekvalifikované obsluhy nebezpečné.
- e. **Provádějte údržbu elektrického nářadí. Zkontrolujte vychýlení nebo zablokování pohyblivých částí, poškození jednotlivých dílů a jiné okolnosti, které mohou ovlivnit chod nářadí. Je-li nářadí poškozeno, nechejte jej před použitím opravit.** Mnoho nehod bývá způsobeno zanedbanou údržbou nářadí.
- f. **Řezné nástroje udržujte ostré a čisté.** Řádně udržované řezné nástroje s ostrými řeznými břity jsou méně náchylné k zanášení nečistotami a lépe se s nimi manipuluje.
- g. **Používejte elektrické nářadí, příslušenství a držáky nástrojů podle těchto pokynů a berte v úvahu provozní podmínky a práci, která bude prováděna.** Použití elektrického nářadí k jiným účelům, než k jakým je určeno, může být nebezpečné.

## 5. Opravy

- a. **Opravy elektrického nářadí svěďte pouze kvalifikovanému technikovi, který bude používat originální náhradní díly.** Tím zajistíte bezpečný provoz nářadí.

## Doplňkové bezpečnostní pokyny pro práci s elektrickým nářadím



**Varování!** Doplnkové bezpečnostní pokyny pro vrtačky a přikleповé vrtačky

- ♦ **Při práci s přikleповými vrtačkami používejte ochranu sluchu.** Nadměrná hluchost může způsobit ztrátu sluchu.
- ♦ **Používejte přidavné rukojeti dodávané s nářadím.** Ztráta kontroly nad nářadím může vést k úrazu.
- ♦ **Při pracovních operacích, u kterých by mohlo dojít ke kontaktu pracovního nástroje se skrytými vodiči nebo s vlastním napájecím kabelem, držte elektrické nářadí vždy za izolované rukojeti.** Při kontaktu pracovního nástroje s „živým“ vodičem způsobí neizolované kovové části nářadí obsluze úraz elektrickým proudem
- ♦ **Nikdy nepoužívejte sekáče v režimu vrtání.** Příslušenství se v materiálu zasekne a bude se otáčet vrtačka.
- ♦ **Pro zajištění a upnutí obrobku k pracovnímu stolu používejte svorky nebo jiné vhodné prostředky.** Držení obrobku rukou nebo opření obrobku o část těla nezajistí jeho stabilitu a může vést k ztrátě kontroly.
- ♦ **Před vrtáním do zdi, podlah nebo stropů zjistěte polohu elektrických vedení a potrubí.**
- ♦ **Okamžitě po ukončení vrtání se nedotýkejte vrtáku, protože může být horký.**
- ♦ **Použití tohoto výrobku je popsáno v tomto návodu. Použití jiného příslušenství nebo přidavného zařízení a provádění jiných pracovních operací než je doporučeno tímto návodem, může představovat riziko zranění obsluhy nebo riziko způsobení hmotných škod.**

## Bezpečnost ostatních osob

- ♦ **Tento výrobek není určen k použití osobami (včetně dětí) se sníženými fyzickými, smyslovými nebo duševními schopnostmi, nebo s nedostatkem zkušeností a znalostí, pokud těmto osobám nebyl stanoven dohled, nebo pokud jim nebyly poskytnuty instrukce týkající se použití výrobku osobou odpovědnou za jejich bezpečnost.**

- ◆ Děti by měly být pod dozorem, aby si s nářadím nehrály.

## Zbytková rizika

Je-li nářadí používáno jiným způsobem, než je uvedeno v příložených bezpečnostních varováních, mohou se objevit dodatečná zbytková rizika. Tato rizika mohou vzniknout v důsledku nesprávného použití, dlouhodobého použití atd.

Přestože jsou dodržovány příslušné bezpečnostní předpisy a jsou používána bezpečnostní zařízení, určitá zbytková rizika nemohou být vyloučena.

Tato rizika jsou následující:

- ◆ Zranění způsobená kontaktem s jakoukoli rotující nebo pohybující se částí.
- ◆ Zranění způsobená výměň dílů, pracovního nástroje nebo příslušenství.
- ◆ Zranění způsobená dlouhodobým použitím nářadí. Používáte-li jakékoli nářadí delší dobu, zajistěte, aby byly prováděny pravidelné přestávky.
- ◆ Poškození sluchu.
- ◆ Zdravotní rizika způsobená vdechováním prachu vytvářeného při použití nářadí (příklad: - práce se dřevem, zejména s dubovým, bukovým a MDF).

## Vibrace

Deklarovaná úroveň vibrací uvedená v technických údajích a v prohlášení o shodě byla měřena v souladu se standardní zkušební metodou předepsanou normou EN 60745 a může být použita pro srovnání jednotlivých nářadí mezi sebou. Deklarovaná úroveň vibrací může být také použita k předběžnému stanovení doby práce s tímto nářadím.

**Varování!** Úroveň vibrací při aktuálním použití elektrického nářadí se může od deklarované úrovně vibrací lišit v závislosti na způsobu použití nářadí. Úroveň vibrací může být oproti uvedené hodnotě vyšší.

Při stanovení doby působení vibrací, z důvodu určení bezpečnostních opatření podle normy 2002/44/EC k ochraně osob pravidelně používajících elektrické nářadí v zaměstnání, by měl předběžný odhad působení vibrací brát na zřetel aktuální podmínky použití nářadí s přihlédnutím na všechny části pracovního cyklu, jako jsou doby, při které je nářadí vypnuto a kdy běží naprázdno.

## Štítky na nářadí

Na nářadí jsou následující piktogramy:



**Varování!** Z důvodu snížení rizika způsobení úrazu si uživatel musí přečíst tento návod k obsluze.

## Elektrická bezpečnost



Toto nářadí je opatřeno dvojitou izolací. Proto není nutné použití uzemňovacího vodiče. Vždy zkontrolujte, zda napájecí napětí odpovídá napětí na výkonovém štítku.

- ◆ Je-li poškozen napájecí kabel, musí být vyměněn výrobcem nebo v autorizovaném servisu Black & Decker, aby bylo zabráněno možným rizikům.

## Popis

Toto nářadí se skládá z některých nebo ze všech následujících částí.

1. Spínač s plynulou regulací otáček
2. Zajišťovací tlačítko
3. Regulátor otáček
4. Přepínač pro chod vpřed / vzad
5. Volič otáček
6. Volič režimu vrtání
7. Sklíčidlo
8. Hlubkový doraz
9. Boční rukojeť

## Sestavení

**Varování!** Před montáží se ujistěte, zda je nářadí vypnuto a zda je napájecí kabel odpojen od zásuvky.

## Upevnění boční rukojeti a hlubkového dorazu (obr. A)

- ◆ Otáčejte držadlem proti směru pohybu hodinových ručiček, dokud nebudete moci nasunout boční rukojeť (9) na přední část nářadí.
- ◆ Nastavte boční rukojeť do požadované polohy.
- ◆ Zasuňte hlubkový doraz (8) do otvoru, jako na uvedeném obrázku.
- ◆ Nastavte hloubku vrtání podle níže uvedeného postupu.
- ◆ Utáhněte boční rukojeť otáčením ve směru pohybu hodinových ručiček.

## Nastavení hloubky vrtání (obr. A)

- ◆ Otočením držadla proti směru pohybu hodinových ručiček uvolníte boční rukojeť (9).

- ◆ Nastavte hloubkový doraz (8) do požadované polohy. Maximální hloubka vrtání odpovídá vzdálenosti mezi špičkou vrtáku a přední částí hloubkového dorazu.
- ◆ Utáhněte boční rukojeť otáčením ve směru pohybu hodinových ručiček.

### Upnutí příslušenství (obr. B - D)

#### Rychloupínací sklíčidlo se zajištěním hřídele (kde je dodáváno) (obr. B)

- ◆ Otevřete sklíčidlo (7) otáčením objímky (11) proti směru pohybu hodinových ručiček.
- ◆ Zasuňte upínací stopku nástroje (12) do sklíčidla.
- ◆ Utáhněte sklíčidlo otáčením objímky ve směru pohybu hodinových ručiček.

#### Rychloupínací sklíčidlo (kde je dodáváno) (obr. C)

- ◆ Při otevírání sklíčidla jednou rukou otáčejte jeho přední částí (13) a druhou rukou přidržíte jeho zadní část (14).
- ◆ Zasuňte do sklíčidla upínací stopku nástroje (12) a sklíčidlo pevně dotáhněte.

#### Sklíčidlo s klikou (kde je dodáváno) (obr. D)

- ◆ Otevřete sklíčidlo otáčením objímky (15) proti směru pohybu hodinových ručiček.
- ◆ Zasuňte upínací stopku nástroje (12) do sklíčidla.
- ◆ Zasuňte klikku (16) do každého otvoru (17) na boční části sklíčidla a otáčením ve směru pohybu hodinových ručiček sklíčidlo utáhněte.

### Sejmutí a nasazení sklíčidla (obr. E)

- ◆ Co nejvíce rozevřete čelisti sklíčidla.
- ◆ Pomocí šroubováku vyšroubujte ve směru pohybu hodinových ručiček montážní šroub sklíčidla, který se nachází uvnitř sklíčidla.
- ◆ Upněte do sklíčidla šestihranný klíč a udeřte do něj kladivem, jako na uvedeném obrázku.
- ◆ Vyjměte šestihranný klíč.
- ◆ Sejměte sklíčidlo otáčením proti směru pohybu hodinových ručiček.
- ◆ Sklíčidlo nasadíte zpět našroubováním na hřídel a jeho zajištění provedete montážním šroubem.

### Použití

**Varování!** Nechejte nářadí pracovat jeho vlastním tempem. Zamezte přetěžování nářadí.

**Varování!** Před vrtáním do zdí, podlah nebo stropů zjistěte polohu elektrických vedení a vodovodních, plynových nebo jiných potrubí.

### Volba režimu vrtání

- ◆ Pro přiklepové vrtání do zdiva a betonu nastavte volič režimu (6) do polohy **T1**.
- ◆ Pro vrtání do oceli, dřeva a plastů nastavte volič režimu (6) do polohy **1**.

### Dvourychlostní volič otáček (obr. A)

- ◆ Pro vrtání do oceli a pro šroubovací práce nastavte dvourychlostní volič otáček (5) do polohy 1 srovnáním šipky (10) s číslem 1 (první převodový stupeň).
- ◆ Pro vrtání do jiných materiálů než je ocel nastavte dvourychlostní volič otáček (5) do polohy 2 srovnáním šipky (10) s číslem 2 (druhý převodový stupeň).

### Volba směru otáčení

Pro vrtání a utahování šroubů použijte otáčení směrem dopředu (ve směru pohybu hodinových ručiček). Pro povolování šroubů a uvolňování zablokovaných vrtáků používejte chod vzad (proti směru pohybu hodinových ručiček).

- ◆ Chcete-li zvolit chod vpřed, zatlačte přepínač pro chod vpřed / vzad (4) doleva.
- ◆ Chcete-li zvolit chod vzad, zatlačte přepínač pro chodu vpřed / vzad doprava.

**Varování!** Nikdy neměňte směr otáčení za chodu motoru.

### Zapnutí a vypnutí

- ◆ Chcete-li nářadí zapnout, stiskněte spínač s plynulou regulací otáček (1). Otáčky nářadí závisí na intenzitě stisknutí tohoto spínače. Pokud je nářadí vybaveno regulátorem otáček (3), nastavte požadovanou hodnotu. Obecně používejte nižší otáčky pro větší průměry vrtáků a vyšší otáčky pro menší průměry vrtáků.
- ◆ Nepřetržitý chod zvolíte stisknutím zajišťovacího tlačítka (2) a uvolněním spínače s plynulou regulací otáček. Tato funkce je k dispozici pouze pro maximální otáčky nebo pro libovolné otáčky nastavené pomocí regulátoru otáček (3). Tuto možnost není možné zvolit v režimu zpětného chodu.
- ◆ Chcete-li nářadí vypnout, uvolněte spínač s plynulou regulací otáček. Chcete-li vypnout nářadí, které pracuje v režimu nepřetržitého chodu, znovu stiskněte a uvolněte spínač s plynulou regulací otáček.

### Příslušenství

Výkon vašeho nářadí záleží na používaném příslušenství. Příslušenství Black & Decker a Piranha jsou navržena a vyrobená podle

norem pro vysokou kvalitu a jsou určena pro zvýšení výkonu vašeho nářadí. Použitím tohoto příslušenství docílíte toho nejlepšího výsledku, který vám vaše nářadí může poskytnout.

## Údržba

Vaše nářadí Black & Decker bylo zkonstruováno tak, aby pracovalo po dlouhou dobu s minimálními nároky na údržbu. Řádná péče o výrobek a jeho pravidelné čištění vám zajistí jeho bezproblémový chod.

**Varování!** Před prováděním jakékoli údržby elektrického nářadí napájeného baterií nebo nářadí opatřeného napájecím kabelem:

- ♦ Vypněte zařízení / nářadí a odpojte napájecí kabel od sítě.
- ♦ Nebo zařízení / nářadí vypněte a vyjměte z něj baterii, je-li zařízení / nářadí napájeno snímatelnou baterií.
- ♦ Nebo nelze-li baterii vyjmout, nechejte nářadí v chodu, dokud nedojde k úplnému vybití baterie.
- ♦ Před čištěním nabíječky odpojte nabíječku od sítě. Vaše nabíječka nevyžaduje žádnou údržbu mimo pravidelné čištění.
- ♦ Větrací otvory nářadí a nabíječky pravidelně čistěte měkkým kartáčem nebo suchým hadříkem.
- ♦ Pomocí vlhkého hadříku pravidelně čistěte kryt motoru. Nepoužívejte žádné abrazivní čistící prostředky nebo rozpouštědla.
- ♦ Pravidelně otvírejte skříčidlo a poklepáním odstraňte prach z vnitřní části nářadí (je-li nářadí opatřeno skříčidlem).

## Výměna síťové zástrčky (pouze pro Velkou Británii a Irsko)

Budete-li instalovat novou zástrčku napájecího kabelu:

- ♦ Zajistěte ekologickou likvidaci staré zástrčky.
- ♦ Připojte hnědý vodič ke svorce pod napětím na nové zástrčce.
- ♦ Modrý vodič připojte k nulové svorce.

**Varování!** Na zemnicí svorku nebude připojen žádný vodič. Dodržujte montážní pokyny dodávané s kvalitními zástrčkami. Doporučená pojistka: 5 A.

## Ochrana životního prostředí



Tříděte odpad. Tento výrobek nesmí být likvidován v běžném domácím odpadu.

Pokud nebudete výrobek Black & Decker dále používat nebo přejete-li si jej nahradit novým, nelikvidujte jej spolu s běžným komunálním odpadem. Zajistěte likvidaci tohoto výrobku v tříděném odpadu.



Tříděný odpad umožňuje recyklaci a opětovné využití použitých výrobků a obalových materiálů. Opětovné použití recyklovaných materiálů pomáhá chránit životní prostředí před znečištěním a snižuje spotřebu surovin.

Při zakoupení nových výrobků vám prodejny, místní sběry odpadů nebo recyklační stanice poskytnou informace o správné likvidaci elektroodpadů z domácnosti.

Společnost Black & Decker poskytuje službu sběru a recyklace výrobků Black & Decker po skončení jejich provozní životnosti. Chcete-li získat výhody této služby, odevzdejte prosím váš výrobek kterémukoli autorizovanému zástupci servisu, který nářadí odebere a zajistí jeho recyklaci.

Místo nejbližšího autorizovaného servisu Black & Decker naleznete na příslušné adrese uvedené v tomto návodu. Seznam autorizovaných servisů Black & Decker a podrobnosti o poprodejním servisu naleznete také na internetové adrese: [www.2helpU.com](http://www.2helpU.com)

## Technické údaje

		KR7532 (Typ 1)	KR8542 (Typ 1)
Napájecí napětí	V	230	230
Příkon	W	750	850
Otáčky naprázdno	min <sup>-1</sup>	0-1100 / 0-3100	0-1100 / 0-3100
Počet rázů	min <sup>-1</sup>	0-18 700 / 0-52 700	0-18 700 / 0-52 700
Maximální průměr vrtáku při vrtání			
Beton	mm	16	18
Ocel	mm	13	13
Dřevo	mm	50	50
Hmotnost	kg	2,5	2,6

		KR911 (Typ 1)	KR1102 (Typ 1)
Napájecí napětí	V	230	230
Příkon	W	910	1100
Otáčky naprázdno	min <sup>-1</sup>	0-1100 / 0-3100	0-1100 / 0-3200
Počet rázů	min <sup>-1</sup>	0-18 700 / 0-52 700	0-18 700 / 0-54 400
Maximální průměr vrtáku při vrtání			
Beton	mm	18	20
Ocel	mm	13	16
Dřevo	mm	50	50
Hmotnost	kg	2,6	2,8

#### Hladina akustického tlaku podle normy EN 60745:

Akustický tlak ( $L_{pA}$ ) 100 dB(A), odchylka (K) 3 dB(A),  
Akustický výkon ( $L_{WA}$ ) 111 dB(A), odchylka (K) 3 dB(A)

#### Celková úroveň vibrací (prostorový vektorový součet) podle normy EN 60745:

Příklepové vrtání do betonu ( $a_{h, ID}$ ) 13,5 m/s<sup>2</sup>, odchylka (K) 1,5 m/s<sup>2</sup>, Vrtání do kovu ( $a_{h, D}$ ) 4,3 m/s<sup>2</sup>, odchylka (K) 1,5 m/s<sup>2</sup>

### ES Prohlášení o shodě

SMĚRNICE PRO STROJNÍ ZAŘÍZENÍ



KR7532, KR8542, KR911, KR1102

Společnost Black & Decker prohlašuje, že tyto produkty popisované v technických údajích splňují požadavky následujících norem: 2006/42/EC, EN 60745-1, EN 60745-2-1

Chcete-li získat další informace, kontaktujte prosím společnost Black & Decker na následující adrese nebo na adresách, které jsou uvedeny na konci tohoto návodu.

Níže podepsaná osoba je odpovědná za sestavení technických údajů a provádí toto prohlášení v zastoupení společnosti Black & Decker.

Kevin Hewitt  
Viceprezident pro  
spotřebitelskou techniku  
Black & Decker Europe,  
210 Bath Road, Slough,  
Berkshire, SL1 3YD  
United Kingdom  
11. 5. 2011

### Záruka

Společnost Black & Decker je přesvědčena o kvalitě svých výrobků a nabízí mimořádnou záruku. Tato záruka je nabízena ve prospěch zákazníka a nijak neovlivní jeho zákonná zaručená práva. Tato záruka platí ve všech členských státech EU a evropské zóny volného obchodu EFTA.

Objeví-li se na výrobku Black & Decker, v průběhu 24 měsíců od zakoupení, jakékoli materiálové či výrobní vady, společnost Black & Decker garantuje ve snaze o minimalizování vašich starostí bezplatnou výměnu vadných dílů, opravu nebo výměnu celého výrobku za níže uvedených podmínek:

- ◆ Výrobek nebyl používán pro obchodní nebo profesionální účely a nedocházelo-li k jeho pronájmu;
- ◆ Výrobek nebyl vystaven nesprávnému použití a nebyla zanedbána jeho předepsaná údržba;
- ◆ Výrobek nebyl poškozen cizím zaviněním;
- ◆ Opravy nebyly prováděny jinými osobami, než autorizovanými opraváři nebo mechaniky autorizovaného servisu Black & Decker.

Požadujete-li záruční opravu, budete muset prodejci nebo zástupci autorizovaného servisu předložit doklad o zakoupení výrobku. Místo nejbližšího autorizovaného servisu Black & Decker naleznete na příslušné adrese uvedené v tomto návodu. Seznam autorizovaných servisů Black & Decker a podrobnosti o poprodejním servisu naleznete také na internetové adrese: [www.2helpU.com](http://www.2helpU.com).

Navštivte prosím naše internetové stránky [www.blackanddecker.co.uk](http://www.blackanddecker.co.uk) a zaregistrujte zde váš nový výrobek. Registrace umožňuje společnosti Black & Decker informovat zákazníky o průběžných změnách a nových výrobcích. Další informace o značce Black & Decker a o celé řadě našich dalších výrobků naleznete na adrese [www.blackanddecker.co.uk](http://www.blackanddecker.co.uk).

## Rendeltetésszerű használat

Szívből gratulálunk új Black & Decker Ütvefűrójához. Ezt a készüléket fa, fém, műanyagok és kőzet fúrására valamint csavarozásra terveztük. Az ütvefűró iparszerű felhasználásra nem alkalmas.

## Biztonsági előírások

### Elektromos szerszámokra vonatkozó általános biztonságtechnikai figyelmeztetések



**Figyelmeztetés! Olvasson el minden biztonsági figyelmeztetést és útmutatást.** Az alábbi figyelmeztetések és útmutatások figyelmen kívül hagyása áramütést, tüzet és/vagy súlyos sérülést okozhat.

**Őrizze meg a figyelmeztetéseket és a használati útmutatót későbbi felhasználásra.** Az „elektromos szerszám” kifejezés a figyelmeztetéseken az Ön által használt hálózati (vezetékes) vagy akkumulátorral üzemeltetett (vezeték nélküli) elektromos szerszámot jelenti.

#### 1. A munkaterület biztonsága

- Tartsa a munkaterületet tisztán és jól megvilágítva.** A rendetlen vagy sötét munkaterület vonzza a baleseteket.
- Ne használja az elektromos szerszámot robbanásveszélyes környezetben, például gyúlékony folyadékok, gázok vagy por jelenlétében.** Az elektromos szerszámokban képződő szikrától a por vagy a gázok meggyulladhatnak.
- Elektromos szerszám használata közben tartsa távol a gyermekeket és az arra járókat.** Ha elterelik a figyelmét, elveszítheti a szerszám feletti uralmát.

#### 2. Elektromos biztonság

- Az elektromos szerszám dugaszának kialakítása feleljen meg a hálózati csatlakozójzat kialakításának. Soha ne alakítsa át a csatlakozódugaszt. Földelt elektromos szerszámhoz ne használjon adapter dugaszt.** Eredeti (nem átalakított) csatlakozó és ahhoz illő fali aljzatok használata mellett kisebb az áramütés veszélye.
- Ügyeljen arra, hogy teste ne érintkezzék földelt felületekkel, például csövezetékkel, radiátorral, tűzhellyel és hűtőszekrényvel.** Ha teste földelést kap, nagyobb az áramütés veszélye.

- Esőtől és egyéb nedvességtől óvja az elektromos szerszámot.** Ha víz kerül az elektromos szerszám belsejébe, megnövekszik az áramütés veszélye.
  - Óvatosan kezelje a tápkábelt. Az elektromos kéziszerszámot soha ne hordozza és ne vonsszolja a tápkábelénél fogva, és a dugaszt ne a kábelnél fogva húzza ki a konnektorból. Óvja a kábelt hőtől, olajtól, éles szélektől, illetve mozgó alkatrészekről.** A sérült vagy összekuszálódott kábel növeli az áramütés veszélyét.
  - Ha a szabadban használja az elektromos szerszámot, kültéri használatra alkalmas hosszabbító kábelt vegyen igénybe.** Kültéri használatra alkalmas hosszabbító kábellel csökkentheti az áramütés veszélyét.
  - Ha az elektromos szerszám nedves helyen való használata elkerülhetetlen, alkalmazzon hibaáram-védelemmel ellátott (RCD) áramforrást.** Hibaáram-védelemmel ellátott áramforrás használata mellett kisebb az áramütés veszélye.
- 3. Személyes biztonság**
- Soha ne veszítse el éberségét, figyeljen a munkájára, használja a józan eszét, amikor elektromos szerszámmal dolgozik. Ne dolgozzon elektromos szerszámmal, ha fáradt, ha gyógyszer, alkohol hatása vagy gyógyszerkezelés alatt áll.** Elektromos szerszám használata közben egy pillanatnyi figyelmetlenség is súlyos személyi sérülést okozhat.
  - Viseljen személyi védőfelszerelést. Mindig hordjon védőszemüveget.** A védőfelszerelések (például porvédő maszk, biztonsági csúszásmentes cipő, védősisak vagy hallásvédő) csökkentik a személyi sérülés veszélyét.
  - Akadályozza meg a készülék véletlen beindulását. Ellenőrizze, hogy a szerszám kapcsolója kikapcsolt állásban van-e, mielőtt a szerszámot a hálózatra és/vagy akkumulátorra csatlakoztatja, a kezébe veszi vagy hordozza.** Ha a szerszámot úgy hordozza, hogy az újját közben a kapcsolón tartja, vagy bekapcsolt szerszámot helyez áram alá, azzal balesetet okozhat.
  - Távolítsa el a szerszámról a beállításához használt kulcsot vagy csavarkulcsot, mielőtt bekapcsolja az elektromos szerszámot.** Forgó alkatrészen felejtett kulcs vagy csavarkulcs a szerszám beindulásakor személyi sérülést okozhat.

- e. **Ne nyúljon ki túlságosan messzire. Mindig megfelelően támassza meg a lábát, és tartsa magát egyensúlyban.** Így a szerszámot váratlan helyzetekben is jobban tudja irányítani.
- f. **Megfelelő öltözéket viseljen. Ne hordjon laza ruházatot vagy ékszert. Haját, ruházatát és kesztyűjét tartsa távol a mozgó alkatrészekről.** A laza öltözék, az ékszerek vagy a hosszú haj beleakadhatnak a mozgó alkatrészekbe.
- g. **Ha az adott eszközhöz porelszívó és porgyűjtő is kapcsolható, ügyeljen ezek helyes csatlakoztatására és használatára.** Porgyűjtő használatával csökkenthetők a porral összefüggő veszélyek.
4. **Elektromos szerszámok használata és gondozása**
- a. **Ne erőltesse túl az elektromos szerszámot. A munkafeladatnak megfelelő elektromos szerszámot használja.** Jobban és biztonságosabban végezheti el a munkát, ha a megfelelő szerszámot olyan fordulatszámra működteti, amilyenre tervezték.
- b. **Ne használja az elektromos szerszámot, ha a saját kapcsolójával nem lehet be- és kikapcsolni.** A kapcsolóhibás elektromos szerszámok használata veszélyes, azokat meg kell javítani.
- c. **Mielőtt beállítást végez vagy változtat, vagy tartozékot cserél a szerszámon, illetve mielőtt a helyére elteszi, húzza ki a szerszám dugaszát a konnektorból és/vagy az akkumulátorról.** Ezekkel a megelőző biztonsági intézkedésekkel csökkenti a szerszám véletlen beindulásának esélyét.
- d. **A használaton kívüli elektromos szerszámot olyan helyen tárolja, ahol gyermekek nem férhetnek hozzá; ne engedje, hogy olyan személyek használják, akik nem ismerik a szerszámot vagy ezen útmutatásokat.** Az elektromos szerszám gyakorlatlan felhasználó kezében veszélyes.
- e. **Tartsa karban az elektromos szerszámokat. Ellenőrizze, hogy a mozgó alkatrészek nem állítódtak-e el vagy nem szorulnak-e, nincsenek-e a szerszámon törött alkatrészek, nem állnak-e fenn olyan körülmények, amelyek befolyásolhatják a szerszám működését. Ha sérült a szerszám, használat előtt javíttassa meg.**

- A nem megfelelően karbantartott elektromos szerszámok számos balesetet okoznak.
- f. **Tartsa élesen és tisztán a vágószerszámokat.** A megfelelően karbantartott éles vágószerszám kisebb valószínűséggel szorul be, és könnyebben irányítható.
- g. **Az elektromos szerszámot, tartozékokat, szerszámbefogókat stb. ezeknek az útmutatásoknak megfelelően használja, a munkakörülmények és az elvégzendő feladat figyelembe vételével.** Nem az adott célra készült elektromos szerszám használata veszélyhelyzetet teremthet.
5. **Szerviz**
- a. **A szerszámot képzett szakemberrel szervizeltesse, és csak az eredetivel megegyező cserealkatrészeket használjon fel.** Ezzel biztosítja az elektromos szerszám folyamatos biztonságát.

### Elektromos szerszámokra vonatkozó kiegészítő biztonsági figyelmeztetések



**Figyelmeztetés!** Kiegészítő biztonsági figyelmeztetések fűrókhoz és ütvefűrókhoz

- ◆ **Ütvefűró használata közben viseljen hallásvédőt.** A zaj halláskárosodást okozhat.
- ◆ **Használja a készülékhez mellékelt segédfogantyúkat.** A szerszám feletti uralom elvesztése személyi sérüléssel végződhet.
- ◆ **Az elektromos szerszámot a szigetelt markolatánál fogja, amikor olyan helyen végez munkát, ahol a vágótartozék rejtett vezetékekkel, vagy a szerszám saját tápkábelével kerülhet érintkezésbe.** Ha a vágószerszám áram alatt lévő vezetéket ér, a szerszám fémalkatrészei is áram alá kerülhetnek, és a kezelő áramütést szenvedhet.
- ◆ **Fűrókalapács üzemmódban soha ne használjon vésőszárat.** A vésőszár elakad az anyagban és forgásra kényszeríti a fűrőt.
- ◆ **Leszorítókkal vagy más praktikus módon stabil felületre rögzítse és támassza meg a munkadarabot.** Ha a munkadarabot a kezében tartja vagy a testéhez szorítja, az instabillá válik, Ön pedig elveszítheti a szerszám feletti uralmát.
- ◆ **Fal, padló vagy mennyezet fűrése előtt tájékozódjon az elektromos- és csővezetékek elhelyezkedéséről.**
- ◆ **Közvetlenül fűrés után ne érjen a fűrószárhoz, mert a fűrés során felforrósodhatott.**

- ◆ A szerszám rendeltetészerű használatát ebben a kézikönyvben ismertetjük. A kézikönyvben nem ajánlott tartozék vagy felszerelés használata, illetve itt fel nem sorolt műveletek végzése személyi sérülés és/vagy dologi kár veszélyével jár.

## Mások biztonsága

- ◆ Ezt a szerszámot nem használhatják olyan személyek (a gyermekeket is beleértve), akik nincsenek fizikai, érzékelési vagy mentális képességeik teljes birtokában, vagy nincs meg a szükséges tapasztalatuk és tudásuk, kivéve, ha a biztonságukért felelős személy felügyeletet vagy a szerszám használatához kioktatást biztosít számukra.
- ◆ Ügyeljen arra, hogy gyermekek ne játsszanak a szerszámmal.

## Maradványkockázatok.

A biztonsági figyelmeztetéseknel ismertetett veszélyeken kívül a szerszám használata más veszélyekkel is jár. Ezek a szerszám rendeltetésétől eltérő, illetve huzamosabb idejű használatából stb. adódhatnak.

Bizonyos veszélyek a vonatkozó biztonsági előírások betartása és a védőeszközök használata ellenére sem kerülhetők el. Ezek a következők lehetnek:

- ◆ Forgó-mozgó alkatrészek érintése miatti sérülések.
- ◆ Alkatrészek, fűrészlapok, tartozékok cseréje közben bekövetkező sérülések.
- ◆ A szerszám huzamosabb idejű használata miatti sérülések. Ha bármelyik szerszámot huzamosabb ideig használja, rendszeresen iktasson be szüneteket.
- ◆ Halláskárosodás.
- ◆ A szerszám használata közben keletkező por belégzése miatti egészségkárosodás (pl. famunkánál, különösen tölgy, bükk és MDF anyagok esetén).

## Vibráció

A műszaki adatlapon és a megfelelőségi nyilatkozatban feltüntetett vibráció kibocsátási értékeket az EN 60745 szabványnak megfelelően határoztuk meg, így azok felhasználhatók az egyes szerszámoknál mért értékek összehasonlítására is. A megadott érték felhasználható a vibrációnak való kitettség mértékének előzetes becsléséhez is.

**Figyelmeztetés!** A tényleges vibráció kibocsátási érték az elektromos szerszám használata

során eltérhet a feltüntetett értéktől, a használat módjától függően. A tényleges vibrációs szint az itt feltüntetett szint fölé is emelkedhet.

A 2002/44/EK irányelv által a géppel rendszeresen dolgozók számára megkövetelt szükséges biztonsági intézkedések meghatározásához végzett vibrációs kitettség kiértékelése során a kitettség kiértékelésénél a napi kitettséget jelentő időn túl figyelembe kell venni a tényleges használat körülményeit, illetve azt, hogy a szerszámot hogyan használják, ideértve a munkafolyamat minden egyes részét, pl. azokat az időszakokat is, amikor a szerszám ki van kapcsolva vagy üresen jár.

## Címkék a szerszámon

A szerszámon a következő piktogramok láthatók:



**Figyelmeztetés!** A sérülésveszély csökkentése érdekében a felhasználónak át kell olvasnia a kezelési kézikönyvet.

## Elektromos biztonság



Ez a szerszám kettős szigetelésű; ezért nincs szükség földelő vezetékre. Mindig ellenőrizze, hogy a szerszám adattábláján megadott feszültség megfelel-e a hálózati feszültségnek.

- ◆ Ha a hálózati kábel sérült, a balesetveszély elkerülése érdekében a gyártóval vagy Black & Decker szakszervizzel cseréltesse ki.

## Részegységek

Ez a szerszám az alábbi részegységek némelyikét vagy mindegyikét tartalmazza.

1. Fordulatszám-szabályozó kapcsoló
2. Tartósüzem rögzítőgomb
3. Fordulatszám előválasztó kerék
4. Forgásirányváltó kapcsoló
5. Kétfokozatú sebességváltó
6. Üzemmod választó
7. Tokmány
8. Mélységütköző
9. Oldalfogantyú

## Összeszerelés

**Figyelmeztetés!** Összeszerelés előtt ellenőrizze, hogy a szerszám ki van-e kapcsolva, és a dugasza ki van-e húzva a konnektorból.

## Az oldalfogantyú és mélységütköző felszerelése (A ábra)

- ◆ A markolatot addig forgassa az óramutató járásával ellentétes irányba, amíg az



oldalfogantyút (9) rá nem tudja csúsztatni a szerszám elejére.

- ◆ Forgassa az oldalfogantyút a kívánt helyzetbe.
- ◆ Illesse a mélységütközőt (8) a szerelőfuratba az ábra szerint.
- ◆ A furatmélységet az alábbiakban leírtak szerint kell beállítani.
- ◆ A markolatot az óramutató járásának irányában forgatva húzza szorosra az oldalfogantyút.

### Furatmélység beállítása (A ábra)

- ◆ A markolatot az óramutató járásával ellentétes irányban forgatva lazítsa meg az oldalfogantyút (9).
- ◆ Állítsa a mélységütközőt (8) a kívánt helyzetbe. A legnagyobb fúrási mélység egyenlő a fúrószár hegye és a mélységütköző elülső vége közötti távolsággal.
- ◆ A markolatot az óramutató járásának irányában forgatva húzza szorosra az oldalfogantyút.

### Tartozék felszerelése (B–D ábra)

#### Gyorstokmány tengelyrögzítéssel (csak CRE típusoknál) (B ábra)

- ◆ Nyissa ki a tokmányt úgy, hogy forgassa a perselyt (11) az óramutató járásával ellentétes irányba, amíg a tokmánypofák megfelelően kinyílnak.
- ◆ Helyezze be a fúrószárat (12) a tokmányba.
- ◆ Gondosan szorítsa meg a tokmányt a persely óramutató járásával megegyező irányba forgatásával.

#### Gyorstokmány (csak CRE típusoknál) (C ábra)

- ◆ Nyissa ki a tokmányt úgy, hogy forgassa az egyik kezével a tokmány elülső részét (13), és közben a másik kezével tartsa a hátsó felét (14), amíg a tokmánypofák megfelelően kinyílnak.
- ◆ Helyezze be a fúrószárat (12) a tokmányba és gondosan szorítsa meg a tokmányt.

#### Fogaskoszorús tokmány (kulcsos, RE típusoknál) (D ábra)

- ◆ Nyissa ki a tokmányt úgy, hogy a perselyt (15) az óramutató járásával ellentétes irányba forgatja.
- ◆ Helyezze be a fúrószárat, vagy csavarozó hegyet (12) a tokmányba.
- ◆ Illesse be a tokmánykulcsot (16) a tokmány oldalán található lyukakba (17) és húzza szorosra az óramutató járásával megegyező irányba.

### A fúrótokmány leszerelése és felszerelése (E ábra)

- ◆ Teljesen nyissa ki a tokmánypofákat.
- ◆ Távolítsa el a tokmányrögzítő csavart, – mely a tokmányban helyezkedik el – úgy, hogy egy csavarhúzó segítségével forgassa a csavart az óramutató járásával megegyező irányba.
- ◆ Szorítson a tokmányba egy imbuszkulcsot, és kalapáccsal mérjen gyenge ütésekkel rá, az ábra szerint.
- ◆ Távolítsa el az imbuszkulcsot a tokmányból.
- ◆ Csavarja le a tokmányt a tengelyről az óramutató járásával ellentétes irányba.
- ◆ A tokmány felszereléséhez, csavarja a tokmányt a tengelyre és biztosítsa a tokmányrögzítő csavar segítségével.

### A szerszám használata

**Figyelmeztetés!** Hagyja a szerszámot saját tempójában működni. Ne terhelje túl.

**Figyelmeztetés!** Fal, padló vagy mennyezet fúrása előtt tájékozódjon az elektromos- és csővezetékek elhelyezkedéséről.

### Üzemmód kiválasztása

- ◆ Közét fúrásához állítsa az üzemmód választót (6) ütvefúrás **T** pozícióba.
- ◆ Más anyagokban történő fúráshoz és csavarozáshoz állítsa az üzemmód választót (6) fúrás **1** pozícióba.

### Kétfokozatú Sebességváltó kapcsoló (A ábra)

- ◆ Fém fúrásához és csavarozáshoz fordítsa a kétfokozatú sebességváltó kapcsolót (5) 1 pozícióba úgy, hogy a nyilat az 1-es számhoz állítja (1. sebesség).
- ◆ Egyéb anyagok fúrásához forgassa a kétfokozatú sebességváltó kapcsolót (5) 2 pozícióba úgy, hogy a nyilat a 2-es számhoz állítja (2. sebesség).

### Forgásirány kiválasztása

Fúráshoz és csavarok behajtásához az előre (az óramutató járásával egyező) forgásirányt válassza. Csavarok meglazításához vagy beragadt fúrószár kiszabadításához a hátra (az óramutató járásával ellentétes) forgásirányt válassza.

- ◆ Az előre forgásirány választásához tolja az irányváltó kapcsolót (4) balra.
- ◆ A hátra forgásirány választásához tolja az irányváltó kapcsolót jobbra.

**Figyelmeztetés!** Soha ne váltóztasson forgásirányt, amíg a motor jár.

## A készülék be- és kikapcsolása

- ◆ A gép beindításához nyomja meg a fordulatszám-szabályozós üzemi kapcsolót (1). A kapcsoló behúzásának mértékével arányosan nő a fordulatszám. Ha a készülék rendelkezik előválasztó kerékkel (3), állítsa azt a kívánt sebesség tartományba. Általánosan elmondható, hogy nagy átmérőjű furatok készítéséhez alacsonyabb, kisebb átmérőjű furatok készítéséhez pedig magasabb fordulatszám szükséges.
- ◆ A folyamatos működéshez nyomja be a tartósüzem rögzítógombot (2) és engedje el az üzemi kapcsolót. Ez az opció csak teljes sebességnél működik vagy bármelyik előre beállított sebességnél fordulatszám előválasztó kapcsolóval (3). A folyamatos működtetés funkció vissza (bal) forgásiránynál nem működik.
- ◆ A készülék kikapcsolásához engedje el a fordulatszám-szabályozós üzemi kapcsolót. Ha tartósüzem használat közben kívánja a készüléket kikapcsolni, nyomja meg még egyszer a fordulatszám-szabályozós kapcsolót, majd engedje el.

## Tartozékok

A szerszám teljesítménye függ a felhasznált tartozékoktól. A Black & Decker és Piranha márkájú tartozékok megfelelnek a legszigorúbb minőségi követelményeknek, és tervezésüknél a szerszám teljesítményének növelése volt a cél. Ezen tartozékok használatával a lehető legjobb teljesítményt érheti el.

## A szerszám karbantartása

Az Ön vezetékes/vezeték nélküli Black & Decker készülékét/szerszámát minimális karbantartás melletti hosszú távú használatra terveztük. Folyamatosan kielégítő működése függ a megfelelő gondozástól és a rendszeres tisztítástól is.

**Figyelmeztetés!** Vezetékes/vezeték nélküli elektromos szerszámok karbantartása előtt:

- ◆ Kapcsolja ki és áramtalanítsa a szerszámot/ készüléket.
- ◆ Vagy kapcsolja ki készüléket/szerszámot, majd vegye ki belőle az akkumulátort, ha kivehető.
- ◆ Vagy hagyja teljesen lemerülni az akkumulátort, ha az a szerszámmal egybe van építve, majd ezután kapcsolja ki a szerszámot.

- ◆ Tisztítás előtt húzza ki a töltő tápkábelét. Az Ön töltőkészüléke a rendszeres tisztításn kívül más karbantartást nem igényel.
- ◆ Puha kefével vagy száraz ronggyal rendszeresen tisztítsa a készülék/szerszám/ töltő szellőzőnyílásait.
- ◆ Nedves ronggyal rendszeresen tisztítsa a motorburkolatot. Ne használjon súroló hatású vagy oldószer alapú tisztítószeret.
- ◆ Rendszeresen nyissa ki a tokmányt (ha a szerszámmra fel van szerelve), és ütögesse meg, hogy a belsejéből kihulljon a por.

## Tápcsatlakozó cseréje (csak az Egyesült Királyságban és Írországban)

Ha új tápcsatlakozó dugaszra van szüksége:

- ◆ A régi dugaszt biztonságos módon semmisítse meg.
- ◆ A barna vezetékét kösse az új csatlakozódugó fázis csatlakozójához.
- ◆ A kék vezetékét csatlakoztassa a nulla érintkezőhöz.

**Figyelmeztetés!** A földelő csatlakozóhoz nem kell vezetékét kötni. Kövesse a minőségi dugaszokhoz mellékelt szerelési útmutatót. Ajánlott biztosíték: 5 A.

## Környezetvédelem



Elkülönített begyűjtés. Ezt a terméket el kell különíteni a normál háztartási hulladéktól.

Egy napon, mikor készüléke eléri technikai élettartamának végét, vagy nincs további szüksége rá, gondoljon a környezetvédelemre. A terméket a normál háztartási hulladéktól elkülönítve kell megsemmisíteni.



Az elhasználandó termékek és csomagolásuk elkülönített begyűjtése lehetővé teszi ezek újrahasznosítását. Újrahasznosított vagy újrafeldolgozott anyagok segítségével a környezetszennyezés, illetve a nyersanyagok iránti igény nagymértékben csökkenthető.

A helyi előírások rendelkezhetnek az elektromos készülékek háztartási hulladéktól elkülönített begyűjtéséről, helyhatósági hulladéklerakó helyeken vagy a kereskedők által új termék megvásárlásakor.

A Black & Decker lehetőséget biztosít a Black & Decker termékek begyűjtésére és újrahasznosítására, amint azok elérték

élettartamuk végét. Ez a szolgáltatás ingyenes. Ha igénybe veszi, kérjük, juttassa el készülékét a legközelebbi szervizbe, melyekről a Magyarországi Képviseletnél érdeklődhet.

Az Önhez legközelebbi márkaszerviz címét a helyi Black & Decker képviseletől vagy ebből a kézikönyvből tudhatja meg. A szervizzel kapcsolatosan a következő Internet oldalon is felvilágosítást kaphat: [www.2helpU.com](http://www.2helpU.com).

## Műszaki adatok

		KR7532 (1-es típus)	KR8542 (1-es típus)
Bemenő feszültség	$V_{AC}$	230	230
Felvett teljesítmény	$W$	750	850
Üresjárat fordulatszám	$min^{-1}$	0-1100 / 0-3100	0-1100 / 0-3100
Ütésszám	$min^{-1}$	0-18 700 / 0-52 700	0-18 700 / 0-52 700
Maximális fűráskapacitás			
Kőzet	mm	16	18
Fém	mm	13	13
Faanyag	mm	50	50
Súly	kg	2,5	2,6

		KR911 (1-es típus)	KR1102 (1-es típus)
Bemenő feszültség	$V_{AC}$	230	230
Felvett teljesítmény	$W$	910	1100
Üresjárat fordulatszám	$min^{-1}$	0-1100 / 0-3100	0-1100 / 0-3200
Ütésszám	$min^{-1}$	0-18 700 / 0-52 700	0-18 700 / 0-54 400
Maximális fűráskapacitás			
Kőzet	mm	18	20
Fém	mm	13	16
Faanyag	mm	50	50
Súly	kg	2,6	2,8

### Hangnyomásszint az EN 60745 szabvány szerint:

Hangnyomás ( $L_{pA}$ ) 100 dB(A), mérési bizonytalanság (K) 3 dB(A), Zajszint ( $L_{WA}$ ) 111 dB(A), mérési bizonytalanság (K) 3 dB(A)

### Vibrációs összérték (triax vektorösszeg) az EN 60745 szabvány szerint:

Útvefűrés betonba ( $a_{h,10D}$ ) 13,5  $m/s^2$ , mérési bizonytalanság (K) 1,5  $m/s^2$ , Fűrés fémbe ( $a_{h,D}$ ) < 4,3  $m/s^2$ , mérési bizonytalanság (K) 1,5  $m/s^2$

## CE megfelelési nyilatkozat GÉPEKRE VONATKOZÓ IRÁNYELV



### KR7532, KR8542, KR911, KR1102

A Black & Decker kijelenti, hogy a „Műszaki adatok” című fejezetben ismertetett termékek megfelelnek a következő irányelveknek és szabványoknak: 2006/42/EK, EN 60745-1, EN 60745-2-1

További tájékoztatásért forduljon a Black & Decker vállalathoz a következőkben megadott vagy a kézikönyv végén megtalálható elérhetőségeken.

Az aláírás tulajdonosa a műszaki adatok összeállításáért felelős személy; nyilatkozatát a Black & Decker vállalat nevében adja.

Kevin Hewitt  
Alelnök, Global Engineering  
Black & Decker Europe,  
210 Bath Road, Slough,  
Berkshire, SL1 3YD  
Egyesült Királyság  
2011. 05. 11.

## Garancia határozat

A Black & Decker elhivatott a termékei iránt, és kiterjesztett garanciát kínál. Ez a garanciahatározat kiegészíti és semmi esetre sem befolyásolja hátrányosan az Ön törvényes jogait. A garancia az Európai Unió tagállamai területén, valamint az Európai Szabadkereskedelmi Társulás (EFTA) területén érvényes.

Ha egy Black & Decker termék anyaghiba, a kivitelezés módja vagy a megfelelés hiánya miatt meghibásodik, az eladás dátumától számított 24 hónapig a Black & Decker garanciát vállal a hibás alkatrészek cseréjére, a normál kopásnak kitett termékek javítására/illetve az ilyen termékek kicserélésére, hogy ügyfeleinek a lehető legkisebb kellemetlenséget okozza az alábbi feltételekkel:

- ◆ A terméket nem használták kereskedelmi, ipari alkalmazásokhoz, és nem adták bérbe;
- ◆ A terméket rendeltetészerűen és körültekintően használták;
- ◆ A termék nem idegen tárgyaktól, szennyeződéstől vagy külső behatástól sérült meg;

- ◆ A terméket a Black & Decker szerződéses szervizen és a Black & Decker szerelőin kívül más próbálta megjavítani.

A garancia érvényesítéséhez az eladónak vagy a hivatalos szerviznek be kell nyújtani a vásárláskor kapott számlát. Az Önhöz legközelebbi márkaszerviz címét a helyi Black & Decker képviselőtől vagy ebből a kézikönyvből tudhatja meg. A szervizzel kapcsolatosan a következő Internet oldalon is felvilágosítást kaphat: **www.2helpU.com**.

Kérjük, látogasson el honlapunkra (**www.blackanddecker.co.uk**), és regisztrálja új Black & Decker termékét, hogy új termékeinkről és különleges ajánlatainkról naprakész információkkal láthassuk el. A Black & Decker márkával és termékkínálatunkkal kapcsolatos további információkat ezen a honlapon tekintheti meg: **www.blackanddecker.co.uk**.

## BLACK & DECKER GARANCIÁLIS FELTÉTELEK

Gratulálunk Önnek ennek az értékes Black & Decker készülék megvásárlásához.

Azon termékeinkre, amelyet fogyasztói használat keretében háztartási, hobby célra vásárolnak **24 hónap jótállást biztosítunk.**

### A termék iparszerű használatra nem alkalmas!

A jótállás a fogyasztó törvényből eredő jogait nem érinti.

- 1) **Black & Decker** kötelezettséget vállal arra, hogy a garanciális javításokat a **49/2003. (VII. 30.) GKM** és a **151/2003 (IX.22.) sz. Korm.** rend. szerint végzi.
  - a) A fogyasztó jótállási igényét a jótállási jeggyel érvényesítheti, ezért azt őrizze meg.
  - b) Vásárláskor az eladónak a garanciaokmányt fel kell tüntetnie a vásárlás időpontját, a termék típusát vagy termékkódját, a kereskedés nevét, címét pedig a jótállási jegyre rá kell bélyegezni. Ennek alapján szerez jogosultságot a vevő a garancia időn belüli ingyenes garanciális javításra.
  - c) Jótállási javítást csak érvényes jótállási jegy alapján végezhetnek a kijelölt szervizek.
  - d) A jótállási jegyen történt bármilyen javítás, törlés vagy átírás, valótlan adatok bejegyzése, a jótállási jegy érvénytelenségét vonja maga után.
  - e) Elvesztett jótállási jegyet csak a vásárlási számla felmutatásával, térítés ellenében tudunk pótolni!
  - f) A jótállási jegy szabályatlan kiállítása vagy a fogyasztó részére történő átadásának elmaradása nem érinti a jótállási kötelezettségvállalás érvényességét.
- 2) **Nem terjed ki a garancia:**
  - a) Ha a hiba rendeltetésellenes használat, átalakítás, szakszerűtlen kezelés, helytelen tárolás, elemi kár vagy egyéb, vásárlás után keletkezett okból következett be. *(A rendeltetéssel ellentétes használat elkerülése céljából a termékhez magyar nyelvű vásárlói tájékoztatót mellékelünk és kérjük, hogy az abban foglaltakat saját érdekében tartsa be!)*
  - b) Az olyan károsodásokra, amelyek a szerszámok iparszerű (professzionális), közületi, valamint kölcsönzési felhasználása miatt keletkeztek.
  - c) Azon alkatrészekre, amelyeknél a meghibásodás garanciaidőn belül a helyes kezelés, karbantartás szerinti rendeltetészerű üzemeltetés mellett az alkatrészek természetes elhasználódása, kopása következtében állt elő. *(ezek a következők: megmunkáló szerszámok pl. vágószerszám, fűrészléc, fűrészlap, gyalukés stb. továbbá: meghajtószíj, csapágy, szénkefe, csillagkerék kpl.)*
  - d) A készülék túlterhelése miatt jelentkező hibákra, amelyek a hajtómű meghibásodásához, vagy egyéb ebből adódó károkhoz vezetnek.
  - e) A termék nem hivatalos szervizben történt javításából eredő hibákra.
  - f) Az olyan károsodásokra, amelyek nem eredeti Black & Decker kiegészítő készülékek és tartozékok használatából adódnak.

- 3) **A fogyasztó** a kijavítás iránti igényét a forgalmazónál, illetve a jótállási jegyen feltüntetett javítószolgálatnál érvényesítheti.
  - Meghosszabbodik a jótállási idő a kijavítási idő azon részével, amely alatt a fogyasztó a terméket nem tudta rendeltetészerűen használni.
  - A jótállási és szavatossági jogok érvényesíthetőségének határidején belül a termékek vagy jelentősebb részének kicserélése (kijavítása) esetén a kicserélt (kijavított) termékre (termékrészre) 12 hónap jótállást biztosítunk. Ezek a következők: motor illetve állórész, forgórész, elektronika.
  - Ha a fogyasztási cikk a vásárlástól (üzembe helyezéstől) számított három munkanapon belül meghibásodik, a fogyasztó kérheti annak kicserélését feltéve, hogy a meghibásodás a rendeltetészerű használatot akadályozza. A Black & Decker Hungary Kft. a meghibásodás okának feltárása céljából fenntartja a jogot a hibás termék vizsgálatára. Amennyiben a reklamáció alkalmával a meghibásodás garanciális voltáról nem nyilatkozunk, úgy 72 órán belül kell értesítenünk a vásárlót a reklamáció intézésének módjáról.  
Ha a csere nem lenne lehetséges, műszakilag hasonló készülék kerül felajánlásra, vagy visszafizethető a vételár.

Amennyiben a hiba keletkezése, ténye, jellege, (pl. rendeltetésellenes használat, stb.) miatt vita merül fel, a Fogyasztó szakvéleményt kérhet a az arra illetékes szervtől / jogi személytől. A szakvélemény térítésköteles és nem kötelező érvényű a Forgalmazó számára.

- 4) **Garanciális javítás esetén** a szerviznek a garanciaokmányt az alábbi adatokat kell feltüntetnie:
  - a garanciális igény bejelentésének dátumát,
  - a hiba rövid leírását,
  - a javítás módját és időtartamát,
  - a készülék visszaadásának időpontját,
  - javítás időtartamával meghosszabbított új garanciaidőt.
- 5) **Arra törekszünk, hogy szervizhálózatunkon** keresztül kiváló javítószolgáltatást, zökkenőmentes alkatrészellátást, és széles tartozékpalettát biztosítsunk.
- 6) **A fogyasztót a Polgári Törvénykönyvről szóló 1959. évi IV. törvény 306-310. §-ában, valamint a 49/2003. (VII. 30.) GKM** rendeletben meghatározott jogok illetik meg.

### Gyártó:

Stanley Black & Decker  
Deutschland GmbH  
D – 65510 Idstein/Ts  
Black & Decker str. 40.

### Importőr:

Stanley Black & Decker  
Hungary Kft., 1016 Budapest  
Mészáros u. 58/b

## Przeznaczenie

Opisywana wiertarka udarowa Black & Decker przeznaczona jest do wiercenia w drewnie, metalach, tworzywach sztucznych i murach oraz do wkręcania wkrętów. Opisywane urządzenie przeznaczone jest wyłącznie do użytku amatorskiego.

## Zasady bezpiecznej pracy

### Ogólne wskazówki dotyczące bezpiecznej pracy elektronarzędziami



**Ostrzeżenie!** Zapoznaj się ze **wszystkimi ostrzeżeniami dotyczącymi bezpiecznej pracy oraz z instrukcją obsługi**. Nie stosowanie się do ostrzeżeń i zaleceń zawartych w tej instrukcji obsługi, może być przyczyną porażenia prądem elektrycznym, pożaru i/lub poważnego zranienia.

### Zachowaj wszystkie instrukcje i informacje dotyczące bezpiecznej pracy, aby móc korzystać z nich w przyszłości.

Pojęcie „elektonarzędzie” użyte w treści ostrzeżenia odnosi się do elektrycznego (zasilanego przewodem) elektronarzędzia lub elektronarzędzia zasilanego akumulatorem (beprzewodowego).

1. **Bezpieczeństwo w miejscu pracy**
- a. **Miejsce pracy musi być czyste i dobrze oświetlone.** Miejsca ciemne i takie, w których panuje nieporządek, stwarzają ryzyko wypadku.
- b. **Nie wolno używać elektronarzędzi w strefach zagrożenia wybuchem, w pobliżu palnych cieczy gazów czy pyłów.** Elektronarzędzia mogą wytworzyć iskry powodujące zapłon pyłów lub oparów.
- c. **W czasie pracy elektronarzędziami nie pozwalaj na przebywanie w pobliżu dzieci i innych osób postronnych.** Chwila nieuwagi może spowodować utratę kontroli nad narzędziem.
2. **Ochrona przed porażeniem prądem elektrycznym**
- a. **Gniazdo musi być dostosowane do wtyczki elektronarzędzia. Nie wolno przerabiać wtyczek. Nie używaj żadnych łączników lub rozdzielaczy elektrycznych z uziemionymi elektronarzędziami.** Nieprzerabiane wtyczki i odpowiednie gniazda zmniejszają ryzyko porażenia prądem elektrycznym.

- b. **Należy unikać bezpośredniej styczności z uziemionymi lub zerowanymi powierzchniami, takimi jak rurociągi, grzejniki, kuchenki i lodówki.** Ryzyko porażenia prądem elektrycznym wzrasta, jeśli Twoje ciało jest uziemione.
- c. **Nie narażaj elektronarzędzi na działanie deszczu lub zwiększonej wilgotności.** Dostanie się wody do wnętrza elektronarzędzia zwiększa ryzyko porażenia prądem elektrycznym.
- d. **Nie wolno ciągnąć za przewód zasilający. Nie wolno ciągnąć, podnosić ani wyciągać wtyczki z gniazda, poprzez ciągnięcie za przewód zasilający narzędzia. Chronić przewód zasilający przed kontaktem z gorącymi elementami, olejami, ostrymi krawędziami i ruchomymi częściami.** Uszkodzenie lub zaplątanie przewodu zasilającego zwiększa ryzyko porażenia prądem elektrycznym.
- e. **W czasie pracy elektronarzędziem poza pomieszczeniami zamkniętymi, należy używać przystosowanych do tego przedłużaczy.** Korzystanie z przedłużaczy przystosowanych do użycia na zewnątrz budynków zmniejsza ryzyko porażenia prądem.
- f. **Jeśli zachodzi konieczność używania narzędzia w wilgotnym otoczeniu, należy używać źródła zasilania zabezpieczonego wyłącznikiem różnicowoprądowym.** Stosowanie wyłączników różnicowoprądowych zmniejsza ryzyko porażenia prądem elektrycznym.
3. **Środki ochrony osobistej**
- a. **W czasie pracy elektronarzędziem zachowaj czujność, patrz uważnie i kieruj się zdrowym rozsądkiem. Nie używaj elektronarzędzi, jeżeli jesteś zmęczony, pod wpływem narkotyków, alkoholu czy leków.** Nawet chwila nieuwagi w czasie pracy elektronarzędziem może doprowadzić do poważnego uszkodzenia ciała.
- b. **Używaj środków ochrony osobistej. Zawsze zakładaj okulary ochronne.** Używanie, w miarę potrzeb, środków ochrony osobistej, takich jak maska przeciwpyłowa, buty ochronne z antypoślizgową podeszwą, kask czy ochronniki słuchu, zmniejsza ryzyko odniesienia uszczerbku na zdrowiu.
- c. **Zapobiegaj przypadkowemu włączeniu. Przed przyłączeniem do zasilania i/lub włożeniem akumulatorów oraz przed**

podniesieniem i przenoszeniem narzędzia, należy upewnić się, że wyłącznik znajduje się w pozycji „wyłączone“. Trzymanie palca na wyłączniku podczas przenoszenia lub włączania narzędzia łatwo staje się przyczyną wypadków.

- d. **Przed włączeniem elektronarzędzia, usuń wszystkie klucze i narzędzia do regulacji.** Pozostawienie klucza lub narzędzia do regulacji połączonego z częściami wirującymi elektronarzędzia może spowodować uszkodzenie ciała.
- e. **Nie wychylaj się. Przez cały czas zachowuj solidne oparcie nóg i równowagę.** Dzięki temu masz lepszą kontrolę nad elektronarzędziem w nieoczekiwanych sytuacjach.
- f. **Zalóż odpowiedni strój. Nie noś luźnych ubrań ani biżuterii. Trzymaj włosy, ubranie i rękawice z dala od ruchomych elementów.** Luźne ubranie, biżuteria lub długie włosy mogą zostać pochwycone przez ruchome części.
- g. **Jeśli sprzęt jest przystosowany do przyłączenia urządzeń odprowadzających i zbierających pył, upewnij się, czy są one przyłączone i właściwie użytkowane.** Używanie takich urządzeń zmniejsza zagrożenia związane z obecnością pyłów.

#### 4. Obsługa i konserwacja elektronarzędzi

- a. **Nie przeciążaj elektronarzędzia. Używaj elektronarzędzi odpowiednich do rodzaju wykonywanej pracy.** Dzięki odpowiednim elektronarzędziom wykonasz pracę lepiej i w sposób bezpieczny, w tempie, do jakiego narzędzie zostało zaprojektowane.
- b. **Nie wolno używać elektronarzędzia z zepsutym wyłącznikiem, który nie pozwala na sprawne włączanie i wyłączenie.** Narzędzie, którego nie można kontrolować za pomocą włącznika nie może być używane i musi zostać naprawione.
- c. **Przed przystąpieniem do regulacji, wymiany akcesoriów oraz przed schowaniem elektronarzędzia, należy odłączyć wtyczkę od źródła zasilania i/ lub odłączyć akumulator od urządzenia.** Takie środki zapobiegawcze zmniejszają ryzyko przypadkowego uruchomienia elektronarzędzia.
- d. **Nie używaj elektronarzędzie przechowuj poza zasięgiem dzieci i nie dopuszczaj osób nie znających elektronarzędzia lub tej instrukcji do posługiwania się**

elektronarzędziem. Elektronarzędzia są niebezpieczne w rękach niewprawnego użytkownika.

- e. **Regularnie dokonuj konserwacji elektronarzędzi. Sprawdź, czy ruchome części są właściwie połączone i zamocowane, czy części nie są uszkodzone oraz skontroluj wszelkie inne elementy mogące mieć wpływ na pracę elektronarzędzia. Wszystkie uszkodzenia należy naprawić przed rozpoczęciem użytkowania.** Wiele wypadków jest spowodowanych złe utrzymanymi elektronarzędziami.
  - f. **Dbaj o czystość narzędzi i ostrość elementów tnących.** Prawidłowo utrzymane narzędzia do cięcia o ostrych krawędziach tnących rzadziej się zakleszczają i są łatwiejsze do kontrolowania.
  - g. **Elektronarzędzi, akcesoriów i końcówek itp., należy używać zgodnie z instrukcją obsługi, uwzględniając warunki i rodzaj wykonywanej pracy.** Użycie elektronarzędzi niezgodnie z przeznaczeniem może być bardzo niebezpieczne.
- #### 5. Naprawy
- a. **Powierzaj naprawy elektronarzędzi wyłącznie osobom wykwalifikowanym, używającym identycznych części zamiennych.** Zagwarantuje to bezpieczeństwo elektronarzędzia.

### Bezpieczne użytkowanie elektronarzędzi - wskazówki dodatkowe



**Ostrzeżenie!** Dodatkowe wskazówki dotyczące bezpiecznej pracy wiertarkami i wiertarkami udarowymi

- ♦ **Podczas pracy wiertarką udarową należy stosować ochronniki słuchu.** Wystawienie na działanie hałasu może powodować utratę słuchu.
- ♦ **Używaj dodatkowych uchwytów dołączonych do narzędzia.** Utrata kontroli nad narzędziem może spowodować uszkodzenie ciała.
- ♦ **W przypadku prac, w czasie których może dojść do przecięcia własnego lub ukrytych przewodów, należy trzymać urządzenie wyłącznie za izolowane uchwyty.** Przecięcie przewodu z prądem może spowodować pojawienie się napięcia na metalowych częściach obudowy i porażenie prądem operatora.

- ◆ Nigdy nie używaj końcówki dłutującej w trybie obrotowym. Ta końcówka zegnije się z materiału i obróci narzędzie.
- ◆ Obrabiany element należy zamocować do blatu roboczego za pomocą zacisków lub innych praktycznych uchwytów. Trzymanie obrabianego elementu w rękach lub oparcie go o ciało nie daje dostatecznej stabilizacji i może spowodować utratę kontroli nad narzędziem.
- ◆ Przed rozpoczęciem wiercenia w ścianach, podłodze czy suficie, ustal położenie przewodów i rur.
- ◆ Nie dotykaj wiertła bezpośrednio po zakończeniu wiercenia, ponieważ może być ono bardzo rozgrzane.
- ◆ Przeznaczenie urządzenia opisane jest w niniejszej instrukcji obsługi. Używanie jakichkolwiek akcesoriów lub wykonywanie prac sprzecznych z przeznaczeniem opisywanym w instrukcji obsługi, może powodować niebezpieczeństwo uszkodzenia ciała i/lub uszkodzenia mienia.

### Bezpieczeństwo osób postronnych

- ◆ Opisywane urządzenie nie jest przeznaczone do użycia przez osoby o obniżonych możliwościach fizycznych, ruchowych lub umysłowych (także dzieci) lub o zbyt małej wiedzy i doświadczeniu, jeśli nie zostały one przeszkolone lub nie pozostają pod opieką osoby odpowiedzialnej za ich bezpieczeństwo.
- ◆ Należy pilnować dzieci, aby nie bawiły się urządzeniem.

### Pozostałe zagrożenia.

W czasie pracy elektronarzędziem mogą powstać zagrożenia, które nie zostały uwzględnione w załączonej instrukcji dotyczącej bezpiecznego użytkowania. Zagrożenia te mogą wynikać z niewłaściwego użytkowania, zbyt intensywnej eksploatacji lub innych przyczyn.

Nawet w przypadku przestrzegania zasad bezpiecznej pracy i stosowania środków ochronnych, nie jest możliwe uniknięcie pewnych zagrożeń. Należą do nich:

- ◆ Zranienia wynikające z dotknięcia wirujących / ruchomych elementów.
- ◆ Zranienia w czasie wymiany części, ostrzy lub akcesoriów.
- ◆ Zranienia związane ze zbyt długotrwałym użytkowaniem narzędzia. Pracując przez dłuższy czas, należy robić regularne przerwy.

- ◆ Ryzyko uszkodzenia słuchu.
- ◆ Zagrożenie dla zdrowia spowodowane wdychaniem pyłu wytwarzanego podczas użytkowania urządzenia (np.: podczas pracy w drewnie, szczególnie dębowym, bukowym oraz MDF).

### Drgania

Podawana w tabeli danych technicznych oraz w deklaracji zgodności z normami wartość drgań (wibracji), została zmierzona zgodnie ze standardową procedurą zawartą w normie EN 60745. Informacja ta może służyć do porównywania tego narzędzia z innymi. Deklarowana wartość emitowanych drgań może również służyć do przewidywania stopnia narażenia użytkownika na wibracje.

**Uwaga!** Chwilowa siła drgań, występująca w czasie pracy elektronarzędziem, może odbiegać od podawanych wartości, w zależności od sposobu użytkowania urządzenia. Poziom wibracji może przekroczyć podawaną wartość.

Przy określaniu ekspozycji na wibracje, w celu podjęcia środków ochrony osób zawodowo użytkujących elektronarzędzia zgodnie, z normą 2002/44/EC, należy uwzględnić rzeczywiste warunki i rodzaj wykonywanej pracy. Także okresy przestoju i pracy bez obciążenia.

### Symbole na urządzeniu

Na obudowie narzędzia umieszczono następujące piktogramy:



**Ostrzeżenie!** Aby zminimalizować ryzyko zranienia, użytkownik musi zapoznać się z instrukcją obsługi.

### Ochrona przed porażeniem prądem elektrycznym



To narzędzie ma podwójną izolację, dlatego też przewód uziemiający nie jest potrzebny. Zawsze sprawdzaj, czy napięcie zasilania jest zgodne z wartością podaną na tabliczce znamionowej.

- ◆ Ze względów bezpieczeństwa wymianę uszkodzonego przewodu zasilającego należy powierzyć producentowi lub autoryzowanemu centrum serwisowemu Black & Decker.

### Wyposażenie

Opisywane narzędzie wyposażone jest w kilka lub wszystkie z poniższych elementów.

1. Wtycznik z regulacją prędkości obrotowej
2. Przycisk blokady wyłącznika



3. Wyłącznik z regulacją prędkości obrotowej
4. Przełącznik kierunku pracy narzędzia
5. Przełącznik zmiany przełożenia
6. Przełącznik trybu pracy
7. Uchwyt
8. Ogranicznik głębokości wiercenia
9. Dodatkowa rękojeść

## Montaż

**Uwaga!** Przed rozpoczęciem montażu upewnić się, czy narzędzie jest wyłączone i wtyczka zasilania jest odłączona.

### Montaż uchwyty bocznego i ogranicznika głębokości wiercenia (Rys. A)

- ◆ Obróć zacisk przeciwnie do wskazówek zegara aż do momentu, gdy możliwe będzie nasadzenie dodatkowego uchwyty (9) na przednią część narzędzia.
- ◆ Ustaw rękojeść w żądanej pozycji.
- ◆ Wsuń ogranicznik głębokości wiercenia (8) do otworu, jak na rysunku.
- ◆ Ustaw żadaną głębokość wiercenia postępując zgodnie z poniższym opisem.
- ◆ Zamocuj dodatkową rękojeść obracając uchwyt zgodnie z ruchem wskazówek zegara.

### Regulacja głębokości wiercenia (Rys. A)

- ◆ Poluzuj dodatkową rękojeść (9) obracając uchwyt zgodnie z ruchem wskazówek zegara.
- ◆ Ustaw ogranicznik głębokości wiercenia (8) w żądanej pozycji. Maksymalna głębokość wiercenia równa się odległości pomiędzy czubkiem wiertła a przednim końcem ogranicznika głębokości.
- ◆ Zamocuj dodatkową rękojeść obracając uchwyt zgodnie z ruchem wskazówek zegara.

### Zakładanie akcesoriów (rys. B-D)

#### Uchwyt bezkluczowy z blokadą wrzeciona (jeżeli należy do zestawu) (rys. B)

- ◆ Rozchyl uchwyt (7) poprzez obrócenie pierścienia (11) w kierunku przeciwnym do wskazówek zegara.
- ◆ Wsuń trzpień wiertła (12) w uchwyt.
- ◆ Dokręć uchwyt poprzez obrócenie pierścienia w kierunku zgodnym z ruchem wskazówek zegara.

#### Uchwyt bezkluczowy (jeżeli należy do zestawu) (rys. C).

- ◆ Otworzyć uchwyt odkręcając przednią część (13) i jednocześnie trzymając drugą ręką część tylną (14).

- ◆ Wsunąć trzonek wiertła (12) w uchwyt i mocno zacisnąć uchwyt.

#### Uchwyt kluczowy (jeżeli należy do zestawu) (rys. D).

- ◆ Rozchyl uchwyt poprzez obrócenie pierścienia (15) w kierunku przeciwnym do wskazówek zegara.
- ◆ Wsuń trzpień wiertła (12) w uchwyt.
- ◆ Kolejno wsuń klucz wiertarski (16) w otwory z boku uchwyty (17) i zacisnij uchwyt dokręcając zgodnie z ruchem wskazówek zegara.

#### Demontaż i wymiana uchwyty (fig. E)

- ◆ Maksymalnie otworzyć uchwyt.
- ◆ Odkręcić wkrętakiem zgodnie z ruchem wskazówek zegara śrubę blokującą uchwyt.
- ◆ Wsunąć klucz sześciokątny do uchwyty i uderzyć młotkiem, jak pokazano na rysunku.
- ◆ Wyjąć klucz sześciokątny.
- ◆ Zdjąć uchwyt wykręcając go w kierunku odwrotnym do ruchu wskazówek zegara.
- ◆ Aby zamontować uchwyt, należy nakręcić go na wrzeciono i zabezpieczyć śrubą mocującą.

## Eksplatacja

**Uwaga!** Uwzględnij tempo pracy urządzenia. Nie przeciążaj narzędzia.

**Uwaga!** Przed rozpoczęciem wiercenia w ścianach, podłodze czy suficie, ustal położenie przewodów i rur.

### Włączanie udaru

- ◆ Dla wiercenia udarowego w materiałach kamiennych i betonie ustaw selektor trybu pracy (6) na pozycję **T1**.
- ◆ Do wiercenia w stali, drewnie i tworzywach sztucznych ustaw selektor trybu pracy (6) na pozycję **1**.

### Przełącznik przełożenia (rys. A)

- ◆ Do wiercenia w stali i do wkręcania ustaw przełącznik przełożenia (5) w położeniu 1 ustawiając strzałkę (10) w pozycji numeru 1 (przełożenie 1).
- ◆ Do wiercenia w materiałach innych niż stal ustaw przełącznik przełożenia (5) w położeniu 2 ustawiając strzałkę (10) w pozycji numeru 2 (przełożenie 2).

### Wybór kierunku obrotów

Do wiercenia i wkręcania wkrętów, należy ustawić prawe obroty (zgodnie z ruchem wskazówek zegara). Aby wykręcać wkręty lub wyjąć

zakleszczone wiertło, należy używać lewych obrotów.

- ◆ Aby ustawić prawe obroty, należy przesunąć przełącznik przód/tył (4) w lewo.
- ◆ Aby ustawić lewe obroty, należy przesunąć przełącznik przód/tył w prawo.

**Uwaga!** Nie wolno przełączać kierunku obrotów w czasie pracy silnika.

## Włączanie i wyłączanie

- ◆ Aby włączyć narzędzie, należy nacisnąć wyłącznik z regulacją obrotów (1). Prędkość obrotowa zależy od głębokości wciśnięcia przycisku. Jeśli narzędzie wyposażone jest w pokrętkę regulacji prędkości obrotowej (3), należy ustawić je na żądany zakres obrotów. Ogólna zasada mówi, że przy wiertłach o dużej średnicy stosuje się niskie prędkości obrotowe, a dla mniejszych średnic wiertel wyższe prędkości obrotowe.
- ◆ Praca ciągła możliwa jest po wciśnięciu przycisku blokady wyłącznika (2) i zwolnieniu wyłącznika z regulacją obrotów. Ta opcja dostępna jest tylko przy pełnej prędkości lub przy dowolnej prędkości ustawionej za pomocą pokrętki regulacji prędkości obrotowej (3). Ta opcja nie działa w przypadku lewych obrotów.
- ◆ Aby wyłączyć narzędzie, należy zwolnić wyłącznik z regulacją obrotów. Aby wyłączyć narzędzie pracujące w trybie ciągłym, należy powtórnie nacisnąć wyłącznik z regulacją obrotów i zwolnić go.

## Akcesoria

Wydajność narzędzia zależy od użytego osprzętu. Osprzęt Black & Decker i Piranha został wykonany z zachowaniem wysokich standardów jakości i zaprojektowany tak, aby podnieść wydajność narzędzia. Używając tych akcesoriów maksymalnie wykorzystasz możliwości swojego narzędzia.

## Konserwacja

Opisywane sieciowe/bezprzewodowe urządzenie/narzędzie Black & Decker zostało zaprojektowane tak, aby zapewnić długoletnią pracę przy minimalnej konieczności konserwacji. Aby długo cieszyć się właściwą pracą urządzenia, należy odpowiednio o nie dbać i regularnie je czyścić.

**Uwaga!** Przed przystąpieniem do konserwacji elektronarzędzi zasilanych przewodem zasilającym / akumulatorami należy:

- ◆ Wyłączyć urządzenie i wyjąć wtyczkę z kontaktu.

- ◆ Lub wyłączyć i odłączyć akumulator od urządzenia, jeśli urządzenie jest wyposażone w oddzielny akumulator.
- ◆ Jeśli akumulator jest zintegrowany, należy go całkowicie rozładować a następnie wyłączyć urządzenie.
- ◆ Przed czyszczeniem wyjąć wtyczkę ładowarki z gniazda zasilającego. Ładowarka nie wymaga, oprócz okresowego czyszczenia, żadnej dodatkowej konserwacji.
- ◆ Regularnie czyścić otwory wentylacyjne przy użyciu miękkiej szczotki albo suchej ściereczki.
- ◆ Regularnie czyść obudowę silnika wilgotną ściereczką. Nie używać ściernych lub rozpuszczających środków czyszczących.
- ◆ Okresowo rozkręcaj szczęki zaciskowe i wytrępać z nich gromadzący się pył.

## Wymiana wtyczki sieciowej (dotyczy tylko Wielkiej Brytanii i Irlandii)

Jeśli występuje konieczność montażu nowej wtyczki:

- ◆ Odpowiednio zutilizuj starą wtyczkę.
- ◆ Przyłącz brązowy przewód do zacisku fazy w nowej wtyczce.
- ◆ Przyłącz niebieski przewód do zacisku zerowego.

**Uwaga!** Nie wykonuj przyłączenia do końcówki uziemienia. Postępuj zgodnie z instrukcją instalacji dołączoną do wtyczek wysokiej jakości. Zalecany bezpiecznik: 5 A.

## Ochrona środowiska



Selektywna zbiórka odpadów. Opisywanego produktu nie wolno utylizować razem ze zwykłymi odpadami z gospodarstw domowych.

Gdy okaże się, że konieczna jest wymiana posiadanego narzędzia Black & Decker lub nie będzie się go więcej używać, nie należy wyrzucać go razem ze śmieciami z gospodarstwa domowego. Przekaż produkt do punktu selektywnej zbiórki odpadów.



Selektywna zbiórka zużytych produktów i opakowań pozwala na powtórne wykorzystanie użytych materiałów. Powtórne użycie materiałów pomaga chronić środowisko naturalne przed zanieczyszczeniem i zmniejsza zapotrzebowanie na surowce.

Lokalne prawodawstwo może zapewniać możliwość selektywnej zbiórki zużytych urządzeń

elektrycznych poprzez pozostawienie ich w punktach zbiórki na miejskich wysypiskach śmieci lub u sprzedawcy, przy zakupie nowego sprzętu.

Black & Decker zapewnia możliwość zbiórki i recyklingu swoich produktów po zakończeniu okresu eksploatacji. Aby skorzystać z tej możliwości, prosimy zwrócić się do jednego z autoryzowanych przedstawicieli serwisowych, który odbierze je od Państwa w naszym imieniu.

Adres najbliższego autoryzowanego przedstawiciela serwisowego otrzymają Państwo kontaktując się z miejscowym biurem Black & Decker, którego adres podany jest w niniejszej instrukcji obsługi. Lista autoryzowanych przedstawicieli serwisowych oraz informacje na temat naszego serwisu posprzedażnego dostępne są również na stronie internetowej: [www.2helpU.com](http://www.2helpU.com)

## Dane techniczne

		KR7532 (Typ 1)	KR8542 (Typ 1)
Napięcie zasilania	$V_{AC}$	230	230
Moc elektryczna	W	750	850
Szybkość bez obciążenia	$min^{-1}$	0-1100 / 0-3100	0-1100 / 0-3100
Szybkość uderu	$min^{-1}$	0-18 700 / 0-52 700	0-18 700 / 0-52 700

Maksymalna średnica wiercenia			
Beton	mm	16	18
Stal	mm	13	13
Drewno	mm	50	50
Masa	kg	2,5	2,6

		KR911 (Typ 1)	KR1102 (Typ 1)
Napięcie zasilania	$V_{AC}$	230	230
Moc elektryczna	W	910	1100
Szybkość bez obciążenia	$min^{-1}$	0-1100 / 0-3100	0-1100 / 0-3200
Szybkość uderu	$min^{-1}$	0-18 700 / 0-52 700	0-18 700 / 0-54 400

Maksymalna średnica wiercenia			
Beton	mm	18	20
Stal	mm	13	16
Drewno	mm	50	50
Masa	kg	2,6	2,8

### Poziom ciśnienia akustycznego zgodnie z EN 60745:

Ciśnienie akustyczne ( $L_{pA}$ ) 100 dB(A), niepewność (K) 3 dB(A), Moc akustyczna ( $L_{WA}$ ) 111 dB(A), niepewność (K) 3 dB(A)

### Sumaryczna wielkość drgań (suma wektorów trzech osi) zgodnie z normą EN 60745:

Wiercenie udarowe w betonie ( $a_{h,10}$ ) 13,5  $m/s^2$ , niepewność (K) 1,5  $m/s^2$ , Wiercenie w metalu ( $a_{h,D}$ ) < 4,3  $m/s^2$ , niepewność (K) 1,5  $m/s^2$

## Deklaracja zgodności UE

DYREKTYWA MASZYNOWA



### KR7532, KR8542, KR911, KR1102

Firma Black & Decker oświadcza, że produkty numer katalogowy KR7532, KR8542, KR911, KR1102 wymienione w "Danych technicznych" spełniają wymagania norm: 2006/42/EC, EN 60745-1, EN 60745-2-1

Aby otrzymać więcej informacji, należy skontaktować się z firmą Black & Decker pod adresem podanym poniżej lub na końcu instrukcji.

Osoba niżej podpisana jest odpowiedzialna za sporządzenie dokumentacji technicznej i złożenie deklaracji zgodności w imieniu firmy Black & Decker.

Kevin Hewitt  
Vice-President Global  
Engineering  
Black & Decker Europe,  
210 Bath Road, Slough,  
Berkshire, SL1 3YD  
Wielka Brytania  
2011-05-11

## Black & Decker

### WARUNKI GWARANCJI:

Produkty marki Black & Decker reprezentują bardzo wysoką jakość, dlatego oferujemy dla nich korzystne warunki gwarancyjne. Niniejsze warunki gwarancji nie pomniejszają praw klienta wynikających z polskich regulacji ustawowych lecz są ich uzupełnieniem. Gwarancja jest ważna na terenie Rzeczypospolitej Polskiej.

Black & Decker gwarantuje sprawne działanie produktu w przypadku postępowania zgodnego z warunkami techniczno-eksploatacyjnymi opisanymi w instrukcji obsługi.

Niniejszą gwarancją nie jest objęte dodatkowe wyposażenie, jeżeli nie została do niego dołączona oddzielna karta gwarancyjna oraz elementy wyrobu podlegające naturalnemu zużyciu.

1. Niniejszą gwarancją objęte są usterki produktu spowodowane wadami produkcyjnymi i wadami materiałowymi.
2. Niniejsza gwarancja jest ważna po przedstawieniu przez Klienta w Centralnym Serwisie Gwarancyjnym reklamowanego produktu oraz łącznie:
  - a) poprawnie wypełnionej karty gwarancyjnej;
  - b) ważnego paragonu zakupu z datą sprzedaży taką, jak w karcie gwarancyjnej lub kopii faktury.
3. Gwarancja obejmuje bezpłatną naprawę urządzenia (wraz z bezpłatną wymianą uszkodzonych części) w okresie 24 miesięcy od daty zakupu.
4. Produkt reklamowany musi być:
  - a) dostarczony bezpośrednio do Centralnego Serwisu Gwarancyjnego wraz z poprawnie wypełnioną Kartą Gwarancyjną i ważnym paragonem zakupu (lub kopią faktury) oraz szczegółowym opisem uszkodzenia, lub
  - b) przesłany do Centralnego Serwisu Gwarancyjnego za pośrednictwem punktu sprzedaży wraz z dokumentami wymienionymi powyżej.
5. Koszty wysyłki do Centralnego Serwisu Gwarancyjnego ponosi Serwis. Wszelkie koszty związane z zapewnieniem bezpiecznego opakowania, ubezpieczeniem i innym ryzykiem ponosi Klient. W przypadku odrzucenia roszczenia gwarancyjnego, produkt jest odesłany do miejsca nadania na koszt adresata.
6. Usterki ujawnione w okresie gwarancji będą usunięte przez Centralny Serwis Gwarancyjny w terminie:
  - a) 14 dni roboczych od daty przyjęcia produktu przez Centralny Serwis Gwarancyjny;
  - b) termin usunięcia wady (punkt 6a) może być wydłużony o czas niezbędny do importu niezbędnych części zamiennych.
7. Klient otrzyma nowy sprzęt, jeżeli:
  - a) Centralny Serwis Gwarancyjny stwierdzi na piśmie, że usunięcie wady jest niemożliwe;
  - b) produkt nie podlega naprawie, tylko wymianie bez dokonywania naprawy.
8. O ile taki sam produkt jest nieosiągalny, może być wydany nowy produkt o nie gorszych parametrach.
9. Decyzja Centralnego Serwisu Gwarancyjnego odnośnie zasadności zgłaszanych usterek jest decyzją ostateczną.
10. Gwarancją nie są objęte:
  - a) wadliwe działanie lub uszkodzenia spowodowane niewłaściwym użytkowaniem lub użytkowaniem produktu niezgodnie z przeznaczeniem, instrukcją obsługi lub przepisami bezpieczeństwa. W szczególności profesjonalne użytkowanie amatorskich narzędzi Black & Decker powoduje utratę gwarancji;
  - b) wadliwe działanie lub uszkodzenia spowodowane przeciążaniem narzędzia, które prowadzi do uszkodzenia silnika, przekładni lub innych elementów a także stosowaniem osprzętu innego niż zalecany przez Black & Decker;
  - c) mechaniczne uszkodzenia produktu i wywołane nimi wady;
  - d) wadliwe działanie lub uszkodzenia na skutek działania pożaru, powodzi, czy też innych klęsk żywiołowych, nieprzewidzianych wypadków, korozji, normalnego zużycia w eksploatacji czy też innych czynników zewnętrznych;
  - e) produkty, w których naruszone zostały plomby gwarancyjne lub, które były naprawiane poza Centralnym Serwisem Gwarancyjnym lub były przerabiane w jakikolwiek sposób;
  - f) osprzęt eksploatacyjny dołączony do urządzenia oraz elementy ulegające naturalnemu zużyciu.
11. Centralny Serwis Gwarancyjny, firmy handlowe, które sprzedały produkt, nie udzielają upoważnień ani gwarancji innych niż określone w karcie gwarancyjnej. W szczególności nie obejmują prawa klienta do domagania się zwrotu utraconych zysków w związku z uszkodzeniem produktu.
12. Gwarancja nie wyłącza, nie ogranicza ani nie zawiesza uprawnień kupującego wynikających z niezgodności towaru z umową.

**Centralny Serwis Gwarancyjny ERPATECH**  
 ul. Bakaliowa 26, 05-080 Mościska  
 tel.: (22) 862-08-08, (22) 431-05-05  
 faks: (22) 862-08-09

## Použitie výrobku

Vaša príklepová vrtačka Black & Decker je určená na vrútenie do dreva, kovu, plastov a muríva a tiež na skrutkovanie. Toto náradie je určené iba na spotrebiteľské použitie.

## Bezpečnostné pokyny

### Všeobecné bezpečnostné pokyny na prácu s elektrickým náradím



**Varovanie! Prečítajte si všetky bezpečnostné výstrahy a všetky pokyny.** Nedodržanie nižšie uvedených pokynov môže mať za následok úraz elektrickým prúdom, vznik požiaru alebo vážne poranenie.

**Všetky bezpečnostné varovania a pokyny uschovajte na prípadné ďalšie použitie.** Termín „elektrické náradie“ vo všetkých upozorneniach odkazuje na Vaše náradie napájané zo siete (je vybavené prívodným káblom) alebo náradie napájané akumulátorom (bez prívodného kábla).

1. **Bezpečnosť v pracovnom priestore**
  - a. **Pracovný priestor udržujte čistý a dobre osvetlený.** Preplnený a neosvetlený pracovný priestor môže viesť k spôsobeniu úrazov.
  - b. **Nepracujte s elektrickým náradím vo výbušnom prostredí, ako sú napríklad priestory s výskytom horľavých kvapalín, plynov alebo prašných látok.** V elektrickom náradí dochádza k iskreniu, ktoré môže spôsobiť vznietenie horľavého prachu alebo výparov.
  - c. **Pri práci s elektrickým náradím zaistite bezpečnú vzdialenosť detí a ostatných osôb.** Rozptyľovanie môže spôsobiť stratu kontroly nad náradím.
2. **Elektrická bezpečnosť**
  - a. **Zástrčka prívodného kábla náradia musí zodpovedať zásuvke. Zástrčku nikdy žiadnym spôsobom neupravujte. Nepoužívajte pri uzemnenom elektrickom náradí žiadne upravené zástrčky.** Neupravené zástrčky a zodpovedajúce zásuvky znižujú riziko vzniku úrazu elektrickým prúdom.
  - b. **Nedotýkajte sa uzemnených povrchov, ako sú napríklad potrubia, radiátory, elektrické sporáky a chladničky.** Pri uzemnení Vášho tela vzrastá riziko úrazu elektrickým prúdom.
  - c. **Nevystavujte elektrické náradie dažďu alebo vlhkému prostrediu.** Ak vnikne do elektrického náradia voda, zvýši sa riziko úrazu elektrickým prúdom.
3. **Bezpečnosť obsluhy**
  - a. **Pri použití elektrického náradia zostaňte stále pozorní, sledujte, čo robíte a pracujte s rozvahou. Nepoužívajte elektrické náradie, ak ste unavení alebo ak ste pod vplyvom drog, alkoholu alebo liekov.** Chvilka nepozornosti pri práci s elektrickým náradím môže viesť k vážnemu úrazu.
  - b. **Používajte prvky osobnej ochrany. Vždy používajte ochranu zraku.** Ochranné prostriedky ako respirátor, protišmyková pracovná obuv, prilba a chrániče sluchu, používané v príslušných podmienkach, znižujú riziko poranenia osôb.
  - c. **Zabráňte náhodnému zapnutiu náradia. Pred pripojením zdroja napätia alebo pred vložením akumulátora a pred zdvihnutím alebo prenášaním náradia skontrolujte, či je vypnutý hlavný vypínač.** Prenášanie elektrického náradia s prstom na hlavnom vypínači alebo pripojenie prívodného kábla k elektrickej sieti, ak je hlavný vypínač náradia v polohe zapnuté, môže spôsobiť úraz.
  - d. **Pred zapnutím náradia sa vždy uistite, či nie sú v jeho blízkosti kľúče alebo nastavovacie prípravky.** Nastavovacie kľúče ponechané na náradí môžu byť zachytené rotujúcimi časťami náradia a môžu spôsobiť úraz.
  - e. **Neprekážajte sami sebe. Pri práci vždy udržujte vhodný a pevný postoj.** Tak je umožnená lepšia kontrola nad náradím v neočakávaných situáciách.
- d. **S prívodným káblom zaobchádzajte opatrne. Nikdy nepoužívajte prívodný kábel na prenášanie alebo posúvanie náradia a neťahajte zaň, ak chcete náradie odpojiť od elektrickej siete. Zabráňte kontaktu kábla s masťami, horúcimi a ostrými predmetmi alebo pohyblivými časťami.** Poškodený alebo zapletený prívodný kábel zvyšuje riziko vzniku úrazu elektrickým prúdom.
- e. **Pri práci s náradím vonku používajte predlžovacie káble určené na vonkajšie použitie.** Použitie kábla na vonkajšie použitie znižuje riziko úrazu elektrickým prúdom.
- f. **Pri práci s elektrickým náradím vo vlhkom prostredí musí byť v napájacom okruhu použitý prúdový chránič (RCD).** Použitie prúdového chrániča (RCD) znižuje riziko úrazu elektrickým prúdom.

- f. **Vhodne sa obliekajte. Nenoste voľný odev alebo šperky. Dbajte na to, aby sa Vaše vlasy, odev a rukavice nedostali do kontaktu s pohyblivými časťami.** Voľné šaty, šperky alebo dlhé vlasy môžu byť zachytené pohyblivými dielcami.
- g. **Ak sú zariadenia vybavené adaptérom na pripojenie príslušenstva na zachytávanie prachu, zaistíte jeho správne pripojenie a riadnu funkciu.** Použitie týchto zariadení môže znížiť nebezpečenstvo týkajúce sa prachu.
4. **Použitie elektrického náradia a jeho údržba**
- a. **Elektrické náradie nepreťažujte. Používajte na vykonávanú prácu správny typ elektrického náradia.** Pri použití správneho typu náradia bude práca vykonávaná lepšie a bezpečnejšie.
- b. **Ak nie je možné hlavný vypínač náradia zapnúť a vypnúť, s náradím nepracujte.** Každé elektrické náradie s nefunkčným hlavným vypínačom je nebezpečné a musí sa opraviť.
- c. **Pred nastavovaním náradia, pred výmenou príslušenstva alebo ak náradie nepoužívate, odpojte zástrčku prírodného kábla od zásuvky alebo z náradia vyberte akumulátor.** Tieto preventívne bezpečnostné opatrenia znižujú riziko náhodného zapnutia náradia.
- d. **Uložte elektrické náradie mimo dosahu detí a nedovoľte ostatným osobám, ktoré toto náradie nevedia ovládať, alebo ktoré nepoznajú tieto bezpečnostné pokyny, aby s týmto elektrickým náradím pracovali.** Elektrické náradie je v rukách nekvalifikovanej obsluhy nebezpečné.
- e. **Vykonávajte údržbu elektrického náradia. Skontrolujte vychýlenie alebo zablokovanie pohyblivých častí, poškodenie jednotlivých dielcov a iné okolnosti, ktoré môžu ovplyvniť chod náradia. Ak je náradie poškodené, nechajte ho pred použitím opraviť.** Veľa nehôd býva spôsobených nedostatočnou údržbou náradia.
- f. **Rezné nástroje udržiavajte ostré a čisté.** Riadne udržiavané rezné nástroje s ostrými reznými čepeľami sú menej náchylné na zanášanie nečistotami a lepšie sa s nimi manipuluje.
- g. **Používajte elektrické náradie, príslušenstvo a držiaky nástrojov**

podľa týchto pokynov a berte do úvahy prevádzkové podmienky a prácu, ktorá bude vykonávaná. Použitie elektrického náradia na iné účely, než na aké je určené, môže byť nebezpečné.

## 5. Opravy

- a. **Opravy elektrického náradia zverte iba kvalifikovanému technikovi, ktorý bude používať originálne náhradné dielce.** Tým zaistíte bezpečnú prevádzku náradia.

## Doplňkové bezpečnostné pokyny na prácu s elektrickým náradím



**Varovanie!** Doplňkové bezpečnostné pokyny pre vŕtačky a príklepové vŕtačky

- ♦ **Pri práci s príklepovými vŕtačkami používajte ochranu sluchu.** Nadmerná hlučnosť môže spôsobiť stratu sluchu.
  - ♦ **Používajte prídavné rukoväti dodávané s náradím.** Strata kontroly nad náradím môže viesť k úrazu.
  - ♦ **Pri pracovných operáciách, pri ktorých by mohlo dôjsť ku kontaktu pracovného nástroja so skrytými vodičmi alebo s vlastným prírodným káblom, držte elektrické náradie vždy za izolované rukoväti.** Pri kontakte pracovného nástroja so „živým“ vodičom spôsobia neizolované kovové časti náradia obsluhu úraz elektrickým prúdom
  - ♦ **Nikdy nepoužívajte sekáče v režime vŕtanie.** Príslušenstvo sa v materiáli zasekne a bude sa otáčať vŕtačka.
  - ♦ **Na zaistenie a upnutie obrobku k pracovnému stolu používajte svorky alebo iné vhodné prostriedky.** Držanie obrobku rukou alebo opretie obrobku o časť tela nezaistí jeho stabilitu a môže viesť k strate kontroly.
  - ♦ **Pred vŕtaním do stien, podláh alebo stropov zistite polohu elektrických vedení a potrubia.**
  - ♦  **Ihneď po ukončení vŕtania sa nedotýkajte vrtáka, pretože môže byť horúci.**
  - ♦ **Použitie tohto výrobku je popísané v tomto návode.** Použitie iného príslušenstva alebo prídavného zariadenia a vykonávanie iných pracovných operácií než je odporúčané týmto návodom, môže predstavovať riziko zranenia obsluhu alebo riziko spôsobenia hmotných škôd.
- Bezpečnosť ostatných osôb**
- ♦ **Tento výrobok nie je určený na použitie osobami (vrátane detí) so zníženými**

fyzickými, zmyslovými alebo duševnými schopnosťami, alebo s nedostatkom skúseností a znalostí, ak týmito osobám nebol stanovený dohľad, alebo ak im neboli poskytnuté inštrukcie týkajúce sa použitia výrobku osobou zodpovednou za ich bezpečnosť.

- ♦ Deti by mali byť pod dozorom, aby sa s náradím nehrali.

### Zvyškové riziká

Ak sa náradie používa iným spôsobom, než je uvedené v priložených bezpečnostných varovaniach, môžu sa objaviť dodatočné zvyškové riziká. Tieto riziká môžu vzniknúť v dôsledku nesprávneho použitia, dlhodobého použitia atď.

Napriek tomu, že sa dodržiavajú príslušné bezpečnostné predpisy a používajú sa bezpečnostné zariadenia, určité zvyškové riziká sa nemôžu vylúčiť. Tieto riziká sú nasledujúce:

- ♦ Zranenia spôsobené kontaktom s akoukoľvek rotujúcou alebo pohybujúcou sa časťou.
- ♦ Zranenia spôsobené pri výmene dielcov, pracovného nástroja alebo príslušenstva.
- ♦ Zranenia spôsobené dlhodobým použitím náradia. Ak používate akékoľvek náradie dlhší čas, zaistite, aby sa robili pravidelné prestávky.
- ♦ Poškodenie sluchu.
- ♦ Zdravotné riziká spôsobené vdychovaním prachu vytváraného pri použití náradia (príklad: - práca s drevom, najmä s dubovým, bukovým a MDF).

### Vibrácie

Deklarovaná úroveň vibrácií uvedená v technických údajoch a vo vyhlásení o zhode bola meraná v súlade so štandardnou skúšobnou metódou predpísanou normou EN 60745 a môže sa použiť na porovnanie jednotlivých náradí medzi sebou. Deklarovaná úroveň vibrácií sa môže tiež použiť na predbežné stanovenie času práce s týmto náradím.

**Varovanie!** Úroveň vibrácií sa pri aktuálnom použití elektrického náradia môže líšiť od deklarovanej úrovne vibrácií v závislosti od spôsobu použitia náradia. Úroveň vibrácií môže byť oproti uvedenej hodnote vyššia.

Pri stanovení času pôsobenia vibrácií, z dôvodu určenia bezpečnostných opatrení podľa normy 2002/44/EC na ochranu osôb pravidelne používajúcich elektrické náradie v zamestnaní,

by mal predbežný odhad pôsobenia vibrácií brať na zreteľ aktuálne podmienky použitia náradia s prihliadnutím na všetky časti pracovného cyklu, ako sú časy, keď je náradie vypnuté a keď beží naprázdno.

### Štítky na náradí

Na náradí sú nasledujúce piktogramy:



**Varovanie!** Z dôvodu zníženia rizika spôsobenia úrazu si používateľ musí prečítať tento návod na obsluhu.

### Elektrická bezpečnosť



Toto náradie je vybavené dvojitou izoláciou. Preto nie je nutné použitie uzemňovacieho vodiča. Vždy skontrolujte, či napájacie napätie zodpovedá napätiu na výkonovom štítku.

- ♦ Ak je poškodený prírodný kábel, musí byť vymenený výrobcom alebo v autorizovanom servise Black & Decker, aby sa zabránilo možným rizikám.

### Popis

Toto zariadenie sa skladá z niektorých alebo zo všetkých nasledujúcich častí.

1. Vypínač s reguláciou otáčok
2. Zaisťovacie tlačidlo
3. Regulátor otáčok
4. Prepínač praveho/ľavého chodu
5. Volič otáčok
6. Volič režimu vrtania
7. Skľučovadlo
8. Hĺbkový doraz
9. Bočná rukoväť

### Zostavenie

**Varovanie!** Pred montážou sa uistite, či je náradie vypnuté a či je prírodný kábel odpojený od zásuvky.

### Upevnenie bočnej rukoväti a hĺbkového dorazu (obr. A)

- ♦ Otáčajte rukoväťou proti smeru pohybu hodinových ručičiek, pokiaľ nepôjde bočná rukoväť (9) nasunúť na prednú časť náradia.
- ♦ Otočte bočnú rukoväť do požadovanej polohy.
- ♦ Zasuňte hĺbkový doraz (8) do príslušného otvoru ako je uvedené na obrázku.
- ♦ Nastavte hĺbku vrtania podľa nižšie uvedeného postupu.
- ♦ Pritiahnite bočnú rukoväť otáčaním v smere pohybu hodinových ručičiek.

## Nastavenie hĺbky vrtania (obr. A)

- ♦ Otáčaním proti smeru pohybu hodinových ručičiek uvoľnite bočnú rukoväť (9).
- ♦ Nastavte hĺbkový doraz (8) do požadovanej polohy. Maximálna hĺbka vrtania zodpovedá vzdialenosti medzi špičkou vrtáka a prednou časťou hĺbkového dorazu.
- ♦ Pritiahnite bočnú rukoväť otáčaním v smere pohybu hodinových ručičiek.

## Montáž príslušenstva (obr. B - D)

### Rýchloupevňovacie skľučovadlo s aretáciou vretena (kde sa dodáva) (obr. B)

- ♦ Otvorte skľučovadlo (7) otáčaním objímky (11) proti smeru pohybu hodinových ručičiek.
- ♦ Zasuňte upínaciu stopku nástroja (12) do skľučovadla.
- ♦ Otvorte skľučovadlo otáčaním objímky v smere pohybu hodinových ručičiek.

### Rýchloupevňovacie skľučovadlo s kľúčikom (kde sa dodáva) (obr. C)

- ♦ Pri otváraní skľučovadla jednou rukou otáčajte jeho prednú časť (13) a druhou rukou pridržujte jeho zadnú časť (14).
- ♦ Vložte do skľučovadla upínaciu stopku nástroja (12) a skľučovadlo pevne dotiahnite.

### Skľučovadlo s kľúčikom (kde sa dodáva) (obr. D)

- ♦ Otvorte skľučovadlo otáčaním objímky (15) proti smeru pohybu hodinových ručičiek.
- ♦ Zasuňte upínaciu stopku nástroja (12) do skľučovadla.
- ♦ Kľúč skľučovadla (16) vložte do ľubovoľného otvoru (17) na bočnej strane skľučovadla a otáčaním v smere hodinových ručičiek ho dotiahnite.

## Vybratie a nasadenie skľučovadla (obr. E)

- ♦ Roztvorte čeluste skľučovadla čo najviac.
- ♦ Pomocou skrutkovača uvoľnite v smere pohybu hodinových ručičiek montážnu skrutku skľučovadla, ktorá je vo vnútri skľučovadla.
- ♦ Do skľučovadla upnite šesťhranný kľúč a udríte doňho kladivom tak, ako je znázornené na obrázku.
- ♦ Vyberte šesťhranný kľúč.
- ♦ Otáčaním proti smeru pohybu hodinových ručičiek skľučovadlo vyskrutkujte.
- ♦ Skľučovadlo nasadíte späť naskrutkovaním na vreteno a zaistíte ho montážnou skrutkou.

## Použitie

**Varovanie!** Nechajte náradie pracovať jeho vlastným tempom. Zamedzte preťažovaniu náradia.

**Varovanie!** Pred vrtaním do stien, podláh alebo stropov zistite polohu elektrických vedení a vodovodných, plynových alebo iných potrubí.

## Voľba režimu vrtania

- ♦ Pre príklepové vrtanie do muriva a betónu nastavte volič režimu vrtania (6) do polohy **T1**.
- ♦ Pre vrtanie do kovu, dreva a plastov nastavte volič režimu (6) do polohy **1**.

## Dvojrychlostný volič otáčok (obr. A)

- ♦ Pre vrtanie do kovu a pre skrutkovacie práce nastavte dvojrychlostný volič otáčok (5) do polohy 1 zarovnaním šípky (10) s číslom 1 (prvý prevodový stupeň).
- ♦ Pre vrtanie do iných materiálov ako je kov nastavte dvojrychlostný volič otáčok (5) do polohy 2 zarovnaním šípky (10) s číslom 2 (druhý prevodový stupeň).

## Voľba smeru otáčania

Pri vrtaní a doťahovaní skrutiek používajte otáčanie smerom dopredu (v smere pohybu hodinových ručičiek). Na povoľovanie skrutiek a uvoľňovanie zablokovaných vrtákov používajte ľavý chod (proti smeru pohybu hodinových ručičiek).

- ♦ Ak chcete zvoliť pravý chod, zatlačte prepínač pre chod (4) doľava.
- ♦ Ak chcete zvoliť ľavý chod, zatlačte prepínač pre chod doprava.

**Varovanie!** Nikdy nemeňte smer otáčania za chodu motora.

## Zapnutie a vypnutie

- ♦ Ak chcete náradie zapnúť, stlačte vypínač s plynulou reguláciou otáčok (1). Otáčky náradia závisia od intenzity stlačenia tohto vypínača. Ak je náradie vybavené regulátorom otáčok (3), nastavte požadované otáčky. Všeobecne používajte nižšie otáčky pre väčšie priemery vrtákov a vyššie otáčky pre menšie priemery.
- ♦ Plynulý chod zvolíte stlačením zaistovacieho tlačidla (2) a uvoľnením vypínača s plynulou reguláciou otáčok. Táto funkcia je k dispozícii iba pre maximálne otáčky alebo pre ľubovoľné otáčky nastavené pomocou regulátora otáčok (3). Túto možnosť nie je možné zvoliť v režime spätného chodu.



- ♦ Ak chcete náradie vypnúť, uvoľnite vypínač s plynulou reguláciou otáčok. Ak chcete vypnúť náradie, ktoré pracuje v režime nepretržitého chodu, stlačte znovu prepínač s reguláciou otáčok a uvoľnite ho.

## Príslušenstvo

Výkon Vášho náradia závisí od používaného príslušenstva. Príslušenstvá Black & Decker a Piranha sú navrhnuté a vyrobené podľa noriem pre vysokú kvalitu a sú určené na zvýšenie výkonu Vášho náradia. Použitím tohto príslušenstva docielite ten najlepší výsledok, ktorý Vám Vaše náradie môže poskytnúť.

## Údržba

Vaše náradie Black & Decker bolo skonštruované tak, aby pracovalo dlhý čas s minimálnymi nárokmi na údržbu. Riadna starostlivosť o výrobok a jeho pravidelné čistenie Vám zaisťujú jeho bezproblémový chod.

**Varovanie!** Pred vykonávaním akejkoľvek údržby elektrického náradia s prívodným káblom alebo náradia s batériami:

- ♦ Vypnite náradie a odpojte prívodný kábel od siete.
- ♦ Alebo zariadenie vypnite a vyberte z neho batériu, ak je zariadenie napájané batériou.
- ♦ Nebo nelze-li baterii vyjmout, nechejte nářadí v chodu, dokud nedojde k úplnému vybití baterie.
- ♦ Pred čistením nabíjačky odpojte nabíjačku od siete. Vaša nabíjačka nevyžaduje žiadnu údržbu okrem pravidelného čistenia.
- ♦ Vetracie otvory náradia a nabíjačky pravidelne čistite mäkkou kefou alebo suchou handričkou.
- ♦ Pomocou vlhkej handričky pravidelne čistite kryt motora. Nepoužívajte žiadne abrazívne čistiace prostriedky alebo rozpúšťadlá.
- ♦ Pravidelne otvárajte skľučovadlo a poklepaním odstráňte prach z vnútornej časti náradia (ak má náradie skľučovadlo).

## Výmena sieťovej zástrčky (iba pre Veľkú Britániu a Írsko)

Ak budete inštalovať novú zástrčku prívodného kábla:

- ♦ Zaisťujte ekologickú likvidáciu starej zástrčky.
- ♦ Pripojte hnedý vodič k svorke pod napätím na novej zástrčke.
- ♦ Modrý vodič pripojte k nulovej svorke.

**Varovanie!** Na uzemňovaciu svorku nebude pripojený žiadny vodič. Dodržujte montážne

pokyny dodávané s kvalitnými zástrčkami. Odporúčaná poistka: 5 A.

## Ochrana životného prostredia



Triedte odpad. Tento výrobok sa nesmie likvidovať v bežnom domovom odpade.

Ak nebudete výrobok Black & Decker ďalej používať alebo ak si ho želáte nahradiť novým, nelikvidujte ho spolu s bežným komunálnym odpadom. Zaisťujte likvidáciu tohto výrobku v triedenom odpade.



Triedený odpad umožňuje recykláciu a opätovné využitie použitých výrobkov a obalových materiálov. Opätovné použitie recyklovaných materiálov pomáha chrániť životné prostredie pred znečistením a znižuje spotrebu surovín.

Pri kúpe nových výrobkov Vám predajne, miestne zberne odpadov alebo recyklačné stanice poskytnú informácie o správnej likvidácii elektroodpadov z domácnosti.

Spoločnosť Black & Decker poskytuje službu zberu a recyklácie výrobkov Black & Decker po skončení ich prevádzkovej životnosti. Ak chcete získať výhody tejto služby, odovzdajte, prosím, Váš výrobok ktorémukoľvek autorizovanému zástupcovi servisu, ktorý náradie odoberie a zaisťuje jeho recykláciu.

Miesto najbližšieho autorizovaného servisu Black & Decker nájdete na príslušnej adrese uvedenej v tomto návode. Zoznam autorizovaných servisov Black & Decker a podrobnosti o popredajnom servise nájdete aj na internetovej adrese: [www.2helpU.com](http://www.2helpU.com)

## Technické údaje

		KR7532 (Typ 1)	KR8542 (Typ 1)
Napájacie napätie	V	230	230
Príkon	W	750	850
Otáčky naprázdno	min <sup>-1</sup>	0-1100 / 0-3100	0-1100 / 0-3100
Počet úderov	min <sup>-1</sup>	0-18 700 / 0-52 700	0-18 700 / 0-52 700
Maximálny priemer vrtáka pri vrtaní			
Betón	mm	16	18
Oceľ	mm	13	13
Drevo	mm	50	50
Hmotnosť	kg	2,5	2,6

		KR911 (Typ 1)	KR1102 (Typ 1)
Napájacie napätie	V	230	230
Príkon	W	910	1100
Otáčky naprázdno	min <sup>-1</sup>	0-1100 / 0-3100	0-1100 / 0-3200
Počet úderov	min <sup>-1</sup>	0-18 700 / 0-52 700	0-18 700 / 0-54 400
Maximálny priemer vrtáka pri vŕtaní			
Betón	mm	18	20
Oceľ	mm	13	16
Drevo	mm	50	50
Hmotnosť	kg	2,6	2,8

**Hladina akustického tlaku podľa normy EN 60745:**

Akustický tlak ( $L_{pA}$ ) 100 dB(A), odchýlka (K) 3 dB(A),  
Akustický výkon ( $L_{WA}$ ) 111 dB(A), odchýlka (K) 3 dB(A)

**Celková úroveň vibrácií (priestorový vektorový súčet) podľa normy EN 60745:**

Príklepové vŕtanie do betónu ( $a_{h, ID}$ ) 13,5 m/s<sup>2</sup>, odchýlka (K) 1,5 m/s<sup>2</sup>, Vŕtanie do kovu ( $a_{h, D}$ ) < 4,3 m/s<sup>2</sup>, odchýlka (K) 1,5 m/s<sup>2</sup>

**ES Vyhlásenie o zhode v rámci EÚ**  
SMERNICA PRE STROJOVÉ ZARIADENIA**KR7532, KR8542, KR911, KR1102**

Spoločnosť Black & Decker vyhlasuje, že tieto produkty popisované v technických údajoch spĺňajú požiadavky nasledujúcich noriem: 2006/42/EC, EN 60745-1, EN 60745-2-1

Ak chcete získať ďalšie informácie, kontaktujte, prosím, spoločnosť Black & Decker na tejto adrese alebo na adresách, ktoré sú uvedené na konci tohto návodu.

Nižšie podpísaná osoba je zodpovedná za zostavenie technických údajov a vydáva toto vyhlásenie v zastúpení spoločnosti Black & Decker.

Kevin Hewitt  
Viceprezident  
pre spotrebiteľskú techniku  
Black & Decker Europe,  
210 Bath Road, Slough,  
Berkshire, SL1 3YD  
United Kingdom  
11. 5. 2011

**Záruka**

Spoločnosť Black & Decker je presvedčená o kvalite svojich výrobkov a ponúka mimoriadnu záruku. Táto záruka je ponúkaná v prospech zákazníka a nijako neovplyvní jeho zákonné záručné práva. Táto záruka platí vo všetkých členských štátoch EÚ a Európskej zóny voľného obchodu EFTA.

Ak sa objavia na výrobku Black & Decker, v priebehu 24 mesiacov od kúpy, akékoľvek materiálové či výrobné chyby, spoločnosť Black & Decker garantuje v snahe o minimalizovanie Vašich starostí bezplatnú výmenu chybných dielov, opravu alebo výmenu celého výrobku za nižšie uvedených podmienok:

- ◆ Výrobok nebol používaný na obchodné alebo profesionálne účely a nedochádzalo k jeho prenájmu;
- ◆ Výrobok nebol vystavený nesprávnemu použitiu a nebola zanedbaná jeho predpísaná údržba;
- ◆ Výrobok nebol poškodený cudzím zavinením;
- ◆ Opravy nevykonávali iné osoby, než autorizovaní opravári alebo mechanici autorizovaného servisu Black & Decker.

Ak požadujete záručnú opravu, budete musieť predajcovi alebo zástupcovi autorizovaného servisu predložiť doklad o kúpe výrobku. Miesto najbližšieho autorizovaného servisu Black & Decker nájdete na príslušnej adrese uvedenej v tomto návode. Zoznam autorizovaných servisov Black & Decker a podrobnosti o popredajnom servise nájdete aj na internetovej adrese: [www.2helpU.com](http://www.2helpU.com).

Navštívte, prosím, naše internetové stránky [www.blackanddecker.co.uk](http://www.blackanddecker.co.uk) a zaregistrujte tu Váš nový výrobok. Registrácia umožňuje spoločnosti Black & Decker informovať zákazníkov o priebežných zmenách a nových výrobkoch. Ďalšie informácie o značke Black & Decker a o celom rade našich ďalších výrobkov nájdete na adrese [www.blackanddecker.co.uk](http://www.blackanddecker.co.uk).

## Назначение

Ваша ударная электрическая дрель Black & Decker предназначена для сверления отверстий в древесине, металле, пластмассе и кирпичной кладке, а также для заворачивания саморезов. Данный инструмент предназначен только для бытового использования.

## Инструкции по технике безопасности

### Общие правила безопасности при работе с электроинструментами



**Внимание! Внимательно прочтите все инструкции по безопасности и руководство по эксплуатации.**

Несоблюдение всех перечисленных ниже правил безопасности и инструкций может привести к поражению электрическим током, возникновению пожара и/или получению тяжелой травмы.

Сохраните все инструкции по безопасности и руководство по эксплуатации для их дальнейшего использования. Термин «Электроинструмент» во всех приведенных ниже указаниях относится к Вашему сетевому (с кабелем) или аккумуляторному (беспроводному) электроинструменту.

#### 1. Безопасность рабочего места

##### a. Содержите рабочее место в чистоте и обеспечьте хорошее освещение.

Плохое освещение или беспорядок на рабочем месте может привести к несчастному случаю.

##### b. Не используйте электроинструменты, если есть опасность возгорания или взрыва, например, вблизи легко воспламеняющихся жидкостей, газов или пыли.

В процессе работы электроинструмент создает искровые разряды, которые могут воспламенить пыль или горючие пары.

##### c. Во время работы с электроинструментом не подпускайте близко детей или посторонних лиц. Отвлечение внимания может вызвать у Вас потерю контроля над рабочим процессом.

#### 2. Электробезопасность

##### a. Вилка кабеля электроинструмента должна соответствовать

штепсельной розетке. Ни в коем случае не видоизменяйте вилку электрического кабеля. Не используйте соединительные штепсели-переходники, если в силовом кабеле электроинструмента есть провод заземления. Использование оригинальной вилки кабеля и соответствующей ей штепсельной розетки уменьшает риск поражения электрическим током.

##### b. Во время работы

с электроинструментом избегайте физического контакта с заземленными объектами, такими как трубопроводы, радиаторы отопления, электроплиты и холодильники. Риск поражения электрическим током увеличивается, если Ваше тело заземлено.

##### c. Не используйте электроинструмент под дождем или во влажной среде.

Попадание воды в электроинструмент увеличивает риск поражения электрическим током.

##### d. Бережно обращайтесь с электрическим кабелем. Ни в коем случае не используйте кабель для переноски электроинструмента или для вытягивания его вилки из штепсельной розетки. Не подвергайте электрический кабель воздействию высоких температур и смазочных веществ; держите его в стороне от острых кромок и движущихся частей инструмента. Поврежденный или запутанный кабель увеличивает риск поражения электрическим током.

При работе с электроинструментом на открытом воздухе используйте удлинительный кабель, предназначенный для наружных работ. Использование кабеля, пригодного для работы на открытом воздухе, снижает риск поражения электрическим током.

##### f. При необходимости работы с электроинструментом во влажной среде используйте источник питания, оборудованный устройством защитного отключения (УЗО). Использование УЗО снижает риск поражения электрическим током.

#### 3. Личная безопасность

##### a. При работе с электроинструментами будьте внимательны, следите за тем,

что Вы делаете, и руководствуйтесь здравым смыслом. Не используйте электроинструмент, если Вы устали, а также находясь под действием алкоголя или понижающих реакцию лекарственных препаратов и других средств. Малейшая неосторожность при работе с электроинструментами может привести к серьезной травме.

- b. **При работе используйте средства индивидуальной защиты. Всегда надевайте защитные очки.**  
Своевременное использование защитного снаряжения, а именно: пылезащитной маски, ботинок на нескользящей подошве, защитного шлема или противозумовых наушников, значительно снизит риск получения травмы.
- c. **Не допускайте непреднамеренного запуска. Перед тем, как подключить электроинструмент к сети и/или аккумулятору, поднять или перенести его, убедитесь, что выключатель находится в положении «выключено».**  
Не переносите электроинструмент с нажатой кнопкой выключателя и не подключайте к сетевой розетке электроинструмент, выключатель которого установлен в положение «включено», это может привести к несчастному случаю.
- d. **Перед включением электроинструмента снимите с него все регулировочные или гаечные ключи.** Регулировочный или гаечный ключ, оставленный закрепленным на вращающейся части электроинструмента, может стать причиной тяжелой травмы.
- e. **Работайте в устойчивой позе. Всегда сохраняйте равновесие и устойчивую позу.** Это позволит Вам не потерять контроль при работе с электроинструментом в непредвиденной ситуации.
- f. **Одевайтесь соответствующим образом. Во время работы не надевайте свободную одежду или украшения. Следите за тем, чтобы Ваши волосы, одежда или перчатки находились в постоянном отдалении от движущихся частей инструмента.**  
Свободная одежда, украшения или длинные волосы могут попасть в движущиеся части инструмента.
- g. **Если электроинструмент снабжен устройством сбора и удаления пыли, убедитесь, что данное устройство**

**подключено и используется надлежащим образом.** Использование устройства пылеудаления значительно снижает риск возникновения несчастного случая, связанного с запыленностью рабочего пространства.

4. **Использование электроинструментов и технический уход**
  - a. **Не перегружайте электроинструмент. Используйте Ваш инструмент по назначению.** Электроинструмент работает надежно и безопасно только при соблюдении параметров, указанных в его технических характеристиках.
  - b. **Не используйте электроинструмент, если его выключатель не устанавливается в положение включения или выключения.**  
Электроинструмент с неисправным выключателем представляет опасность и подлежит ремонту.
  - c. **Отключайте электроинструмент от сетевой розетки и/или извлекайте аккумулятор перед регулированием, заменой принадлежностей или при хранении электроинструмента.**  
Такие меры предосторожности снижают риск случайного включения электроинструмента.
  - d. **Храните неиспользуемые электроинструменты в недоступном для детей месте и не позволяйте лицам, не знакомым с электроинструментом или данными инструкциями, работать с электроинструментом.**  
Электроинструменты представляют опасность в руках неопытных пользователей.
  - e. **Регулярно проверяйте исправность электроинструмента. Проверяйте точность совмещения и легкость перемещения подвижных частей, целостность деталей и любых других элементов электроинструмента, воздействующих на его работу. Не используйте неисправный электроинструмент, пока он не будет полностью отремонтирован.**  
Большинство несчастных случаев являются следствием недостаточного технического ухода за электроинструментом.
  - f. **Следите за остротой заточки и чистотой режущих принадлежностей.**

Принадлежности с острыми кромками позволяют избежать заклинивания и делают работу менее утомительной.

- г. Используйте электроинструмент, аксессуары и насадки в соответствии с данным Руководством и с учетом рабочих условий и характера будущей работы.** Использование электроинструмента не по назначению может создать опасную ситуацию.

## 5. Техническое обслуживание

- а. Ремонт Вашего электроинструмента должен производиться только квалифицированными специалистами с использованием идентичных запасных частей.** Это обеспечит безопасность Вашего электроинструмента в дальнейшей эксплуатации.

## Дополнительные меры безопасности при работе с электроинструментами



**Внимание!** Дополнительные меры безопасности при работе дрелями и ударными дрелями

- ◆ При работе ударными дрелями всегда надевайте противошумовые наушники. Воздействие шума может привести к потере слуха.
- ◆ При работе пользуйтесь дополнительными рукоятками, прилагающимися к инструменту. Потеря контроля над инструментом может привести к тяжелой травме.
- ◆ Держите инструмент за изолированные ручки при выполнении операций, во время которых режущий инструмент может соприкасаться со скрытой проводкой или собственным кабелем. Контакт режущей принадлежности с находящимся под напряжением проводом делает не покрытые изоляцией металлические части электроинструмента «живыми», что создает опасность поражения оператора электрическим током.
- ◆ Никогда не используйте долото в режиме вращения. Долото может застрять в материале, заставив перфоратор вращаться.
- ◆ Используйте струбины или другие приспособления для фиксации обрабатываемой детали, устанавливая их только на неподвижной поверхности.

Если держать обрабатываемую деталь руками или с упором в собственное тело, то можно потерять контроль над инструментом или обрабатываемой деталью.

- ◆ Прежде чем сверлить отверстия в стенах, полах или потолках, проверьте наличие электропроводки и трубопроводов.
- ◆ Не дотрагивайтесь до наконечника сверла сразу же после окончания сверления, так как он может быть горячим.
- ◆ Назначение инструмента описывается в данном руководстве по эксплуатации. Использование любых принадлежностей или приспособлений, а также выполнение данным инструментом любых видов работ, не рекомендованных данным руководством по эксплуатации, может привести к несчастному случаю и/или повреждению личного имущества.

## Безопасность посторонних лиц

- ◆ Использование инструмента физически или умственно неполноценными людьми, а также детьми и неопытными лицами допускается только под контролем ответственного за их безопасность лица.
- ◆ Не позволяйте детям играть с электроинструментом.

## Остаточные риски

При работе с данным инструментом возможно возникновение дополнительных остаточных рисков, которые не вошли в описанные здесь правила техники безопасности. Эти риски могут возникнуть при неправильном или продолжительном использовании изделия и т.п.

Несмотря на соблюдение соответствующих инструкций по технике безопасности и использование предохранительных устройств, некоторые остаточные риски невозможно полностью исключить. К ним относятся:

- ◆ Травмы в результате касания вращающихся/двигающихся частей инструмента.
- ◆ Риск получения травмы во время смены деталей инструмента, ножей или насадок.
- ◆ Риск получения травмы, связанный с продолжительным использованием инструмента. При использовании инструмента в течение продолжительного периода времени делайте регулярные перерывы в работе.

- ◆ Ухудшение слуха.
- ◆ Ущерб здоровью в результате вдыхания пыли в процессе работы с инструментом (например, при обработке древесины, в особенности, дуба, бука и ДВП).

## Вибрация

Значения уровня вибрации, указанные в технических характеристиках инструмента и декларации соответствия, были измерены в соответствии со стандартным методом определения вибрационного воздействия согласно EN60745 и могут использоваться при сравнении характеристик различных инструментов. Приведенные значения уровня вибрации могут также использоваться для предварительной оценки величины вибрационного воздействия.

**Внимание!** Значения вибрационного воздействия при работе с электроинструментом зависят от вида работ, выполняемых данным инструментом, и могут отличаться от заявленных значений. Уровень вибрации может превышать заявленное значение.

При оценке степени вибрационного воздействия для определения необходимых защитных мер (2002/44/ЕС) для людей, использующих в процессе работы электроинструменты, необходимо принимать во внимание действительные условия использования электроинструмента, учитывая все составляющие рабочего цикла, в том числе, время, когда инструмент находится в выключенном состоянии, время, когда он работает без нагрузки, а также время его запуска и отключения.

## Маркировка инструмента

На инструменте имеются следующие знаки:



**Внимание!** Полное ознакомление с руководством по эксплуатации снизит риск получения травмы.

## Электробезопасность



Данный инструмент защищен двойной изоляцией, что исключает потребность в заземляющем проводе. Следите за напряжением электрической сети, оно должно соответствовать величине, обозначенной на информационной табличке электроинструмента.

- ◆ Во избежание несчастного случая, замена поврежденного кабеля питания должна производиться только на заводе-изготовителе или в авторизованном сервисном центре Black & Decker.

## Составные части

Ваш инструмент может содержать все или некоторые из перечисленных ниже составных частей:

1. Клавиша пускового выключателя с регулировкой скорости
2. Кнопка блокировки пускового выключателя
3. Поворотный переключатель скорости вращения электродвигателя
4. Переключатель направления вращения (реверса)
5. Двухпозиционный переключатель скоростей
6. Переключатель режимов сверления
7. Зажимной патрон
8. Ограничитель глубины
9. Боковая рукоятка

## Сборка

**Внимание!** Перед началом сборки убедитесь, что инструмент выключен и отсоединен от электросети.

## Установка боковой рукоятки и ограничителя глубины сверления (Рис. А)

- ◆ Поворачивайте ручку в направлении против часовой стрелки до тех пор, пока боковая рукоятка (9) не надвинется на свое посадочное место на корпусе электроинструмента.
- ◆ Повернув боковую рукоятку, установите ее в необходимое положение.
- ◆ Вставьте ограничитель глубины сверления (8) в крепежное отверстие, как показано на рисунке.
- ◆ Установите глубину сверления, как описано ниже.
- ◆ Затяните боковую рукоятку, поворачивая ее ручку в направлении по часовой стрелке.

## Настройка глубины сверления (Рис. А)

- ◆ Ослабьте боковую рукоятку (9), поворачивая ее ручку в направлении против часовой стрелки.
- ◆ Установите ограничитель глубины сверления (8) на необходимую глубину. Максимальная глубина сверления равна

расстоянию между острием сверла и передним торцом ограничителя глубины сверления.

- ◆ Затяните боковую рукоятку, поворачивая ее ручку в направлении по часовой стрелке.

### Установка насадки (Рис. В-D)

#### Быстрозажимной патрон с блокировкой шпинделя (При наличии) (Рис. В)

- ◆ Раскройте зажимной патрон (7), вращая зажимное кольцо (11) в направлении против часовой стрелки.
- ◆ Вставьте в патрон хвостовик насадки (12).
- ◆ Надежно затяните патрон, поворачивая зажимное кольцо в направлении по часовой стрелке.

#### Быстрозажимной патрон (При наличии) (Рис. С)

- ◆ Раскройте патрон, одной рукой поворачивая его переднюю часть (13), другой рукой придерживая заднюю часть (14).
- ◆ Вставьте в патрон хвостовик насадки (12) и надежно затяните патрон.

#### Ключевой зажимной патрон (При наличии) (Рис. D)

- ◆ Раскройте зажимной патрон, вращая зажимное кольцо (15) в направлении против часовой стрелки.
- ◆ Вставьте в патрон хвостовик насадки (12).
- ◆ Вставьте ключ (16) в каждое из трех отверстий (17), расположенных на боковой части зажимного патрона, и затяните патрон, поворачивая ключ в направлении по часовой стрелке.

#### Снятие и установка зажимного патрона (Рис. E)

- ◆ Максимально раскройте зажимной патрон.
- ◆ Выньте стопорный винт, находящийся в патроне, открутив его по часовой стрелке с помощью отвертки.
- ◆ Зажмите в патроне ключ-шестигранник и ударьте по нему молотком, как показано на рисунке.
- ◆ Выньте ключ.
- ◆ Снимите зажимной патрон, поворачивая его в направлении против часовой стрелки.
- ◆ Чтобы установить патрон, привинтите его на шпиндель и закрепите с помощью стопорного винта.

## Эксплуатация

**Внимание!** Не форсируйте рабочий процесс. Избегайте перегрузки инструмента.

**Внимание!** Прежде чем сверлить отверстия в стенах, полах или потолках, проверьте наличие электропроводки и трубопроводов.

### Выбор режима работы

- ◆ Для сверления с ударом в кирпичной кладке и бетоне установите переключатель режимов сверления (6) в позицию **T1**.
- ◆ Для сверления в металле, древесине и пластмассе установите переключатель режимов сверления (6) в позицию **1**.

### Переключатель скоростей (Рис. А)

- ◆ Для сверления в металле и при заворачивании саморезов, поверните переключатель скоростей (5) в положение 1, переместив стрелку (10) напротив цифры 1 (1-я скорость).
- ◆ Для сверления в материалах, кроме металла, поверните переключатель скоростей (5) в положение 2, переместив стрелку (10) напротив цифры 2 (2-я скорость).

### Выбор направления вращения

Выполняйте сверление и заворачивание саморезов, установив направление вращения вперед (по часовой стрелке). Для выкручивания саморезов или извлечения заклинившего сверла, устанавливайте реверс (вращение против часовой стрелки).

- ◆ Для установки вращения вперед сдвиньте переключатель направления вращения (4) влево.
- ◆ Для установки реверса сдвиньте переключатель направления вращения вправо.

**Внимание!** Ни в коем случае не изменяйте направление вращения при работающем электродвигателе!

### Включение и выключение

- ◆ Чтобы включить инструмент, нажмите на клавишу пускового выключателя с регулировкой скорости (1). Скорость инструмента зависит от глубины нажатия клавиши выключателя. Если инструмент оборудован поворотным переключателем скорости (3), установите его на необходимую величину частоты вращения электродвигателя.

Принято использовать малые частоты вращения для сверл большого диаметра и, соответственно, большие частоты вращения для сверл малого диаметра.

- ◆ Для непрерывного режима работы нажмите кнопку блокировки пускового выключателя (2) и отпустите клавишу пускового выключателя. Эта функция работает только при максимальной частоте вращения или при любой частоте вращения, предварительно выбранной с помощью поворотного переключателя (3). При левом вращении (в направлении против часовой стрелки) данная функция не работает.
- ◆ Чтобы выключить инструмент, отпустите клавишу пускового выключателя. Для выключения непрерывного режима работы инструмента снова нажмите и отпустите клавишу пускового выключателя.

## Дополнительные принадлежности

Производительность Вашего электроинструмента напрямую зависит от используемых принадлежностей. Принадлежности Black & Decker и Piranha изготовлены в соответствии с самыми высокими стандартами качества и способны увеличить производительность Вашего электроинструмента. Используя эти принадлежности, Вы достигнете наилучших результатов в работе.

## Техническое обслуживание

Ваш электрический/аккумуляторный инструмент Black & Decker рассчитан на работу в течение продолжительного времени при минимальном техническом обслуживании. Срок службы и надежность инструмента увеличивается при правильном уходе и регулярной чистке.

**Внимание!** Перед проведением технического обслуживания электрического/аккумуляторного инструмента:

- ◆ Выключите инструмент и отключите его от источника питания.
- ◆ Или выключите инструмент и выньте из него аккумулятор, если инструмент оснащен съемным аккумулятором.
- ◆ В случае наличия встроенного аккумулятора, полностью разгрузите аккумулятор и выключите инструмент.
- ◆ Перед чисткой зарядного устройства отключите его от источника питания.

Ваше зарядное устройство не требует никакого дополнительного технического обслуживания, кроме регулярной чистки.

- ◆ Регулярно очищайте вентиляционные отверстия инструмента/прибора/зарядного устройства мягкой щеткой или сухой тканью.
- ◆ Регулярно очищайте корпус двигателя влажной тканью. Не используйте абразивные чистящие средства, а также чистящие средства на основе растворителей.
- ◆ Регулярно раскрывайте патрон (при наличии) и вытряхивайте из него всю накопившуюся пыль.

## Защита окружающей среды



Раздельный сбор. Данное изделие нельзя утилизировать вместе с обычными бытовыми отходами.

Если однажды Вы захотите заменить Ваш электроинструмент Black & Decker или Вы больше в нем не нуждаетесь, не выбрасывайте его вместе с бытовыми отходами. Отнесите изделие в специальный приемный пункт.



Раздельный сбор изделий с истекшим сроком службы и их упаковок позволяет пускать их в переработку и повторно использовать. Использование переработанных материалов помогает защищать окружающую среду от загрязнения и снижает расход сырьевых материалов.

Местное законодательство может обеспечить сбор старых электроинструментов отдельно от бытового мусора на муниципальных свалках отходов, или Вы можете сдавать их в торговом предприятии при покупке нового изделия.

Фирма Black & Decker обеспечивает прием и переработку отслуживших свой срок изделий Black & Decker. Чтобы воспользоваться этой услугой, Вы можете сдать Ваше изделие в любой авторизованный сервисный центр, который собирает их по нашему поручению.

Вы можете узнать место нахождения Вашего ближайшего авторизованного сервисного центра, обратившись в Ваш местный офис



Black & Decker по адресу, указанному в данном руководстве по эксплуатации. Кроме того, список авторизованных сервисных центров Black & Decker и полную информацию о нашем послепродажном обслуживании и контактах Вы можете найти в интернете по адресу: [www.2helpU.com](http://www.2helpU.com)

### Технические характеристики

		KR7532 (Тип 1)	KR8542 (Тип 1)
Напряжение питания	В перем. тока	230	230
Потребляемая мощность	Вт	750	850
Число оборотов без нагрузки	об./мин.	0-1100 / 0-3100	0-1100 / 0-3100
Кол-во ударов в минуту	уд./мин.	0-18 700 / 0-52 700	0-18 700 / 0-52 700
Максимальный диаметр сверления			
Бетон	мм	16	18
Сталь	мм	13	13
Древесина	мм	50	50
Вес	кг	2,5	2,6

		KR911 (Тип 1)	KR1102 (Тип 1)
Напряжение питания	В перем. тока	230	230
Потребляемая мощность	Вт	910	1100
Число оборотов без нагрузки	об./мин.	0-1100 / 0-3100	0-1100 / 0-3200
Кол-во ударов в минуту	уд./мин.	0-18 700 / 0-52 700	0-18 700 / 0-54 400
Максимальный диаметр сверления			
Бетон	мм	18	20
Сталь	мм	13	16
Древесина	мм	50	50
Вес	кг	2,6	2,8

### Уровень звукового давления в соответствии с EN 60745:

Звуковое давление ( $L_{pA}$ ) 100 дБ(А), погрешность (К) 3 дБ(А), Акустическая мощность ( $L_{WA}$ ) 111 дБ(А), погрешность (К) 3 дБ(А)

### Сумма величин вибрации (сумма векторов по трем осям), измеренных в соответствии со стандартом EN 60745:

Сверление с ударом в бетоне ( $a_{h,10}$ ) 13,5 м/с<sup>2</sup>, погрешность (К) 1,5 м/с<sup>2</sup>, Сверление в металле ( $a_{h,D}$ ) 4,3 м/с<sup>2</sup>, погрешность (К) 1,5 м/с<sup>2</sup>

### Декларация соответствия ЕС ДИРЕКТИВА ПО МЕХАНИЧЕСКОМУ ОБОРУДОВАНИЮ



#### KR7532, KR8542, KR911, KR1102

Black & Decker заявляет, что продукты, обозначенные в разделе «Технические характеристики», полностью соответствуют стандартам: 2006/42/ЕС, EN 60745-1, EN 60745-2-1

За дополнительной информацией обращайтесь по указанному ниже адресу или по адресу, указанному на последней странице руководства.

Нижеподписавшееся лицо полностью отвечает за соответствие технических данных и делает это заявление от имени фирмы Black & Decker.

Кевин Хьюитт (Kevin Hewitt)  
Вице-президент отдела  
мирового проектирования  
Black & Decker Europe,  
210 Bath Road, Slough,  
Berkshire, SL1 3YD  
United Kingdom  
11/05/2011



Сертификат соответствия №

KR7532, KR8542, KR911, KR1102

Станлеи Блек энд Декер Деутсчланд ГмБХ  
Германия, 65510, Идштайн,  
ул. Блек энд Декер, 40



## БЛЭК ЭНД ДЕККЕР

### Гарантийные условия

Уважаемый покупатель!

1. Поздравляем Вас с покупкой высококачественного изделия БЛЭК ЭНД ДЕККЕР и выражаем признательность за Ваш выбор.
- 1.1. Надежная работа данного изделия в течение всего срока эксплуатации - предмет особой заботы наших сервисных служб. В случае возникновения каких-либо проблем в процессе эксплуатации изделия рекомендуем Вам обращаться только в авторизованные сервисные организации, адреса и телефоны которых Вы сможете найти в Гарантийном талоне или узнать в магазине. Наши сервисные станции - это не только квалифицированный ремонт, но и широкий выбор запчастей и принадлежностей.
- 1.2. При покупке изделия требуйте проверки его комплектности и исправности в Вашем присутствии, инструкцию по эксплуатации и заполненный Гарантийный талон на русском языке. При отсутствии у Вас правильно заполненного Гарантийного талона мы будем вынуждены отклонить Ваши претензии по качеству данного изделия.
- 1.3. Во избежание недоразумений убедительно просим Вас перед началом работы с изделием внимательно ознакомиться с инструкцией по его эксплуатации.
- 1.4. Обращаем Ваше внимание на исключительно бытовое назначение данного изделия.
2. Правовой основой настоящих гарантийных условий является действующее Законодательство и, в частности, Закон "О защите прав потребителей".
3. Гарантийный срок на данное изделие составляет 24 месяца и исчисляется со дня продажи через розничную торговую сеть. В случае устранения недостатков изделия, гарантийный срок продлевается на период, в течение которого оно не использовалось.
4. Срок службы изделия - 5 лет (минимальный, установленный в соответствии с Законом "О защите прав потребителей").
5. Наши гарантийные обязательства распространяются только на неисправности, выявленные в течение гарантийного срока и обусловленные производственными и конструктивными факторами.
6. Гарантийные обязательства не распространяются:
  - 6.1. На неисправности изделия, возникшие в результате:
    - 6.1.1. Несоблюдения пользователем предписаний инструкции по эксплуатации изделия.
    - 6.1.2. Механического повреждения, вызванного внешним ударным или любым иным воздействием.
    - 6.1.3. Использования изделия в профессиональных целях и объемах, в коммерческих целях.
    - 6.1.4. Применения изделия не по назначению.
    - 6.1.5. Стихийного бедствия.
    - 6.1.6. Неблагоприятных атмосферных и иных внешних воздействий на изделие, таких как дождь, снег, повышенная влажность, нагрев, агрессивные среды, несоответствие параметров питающей электросети параметрам, указанным на инструменте.
    - 6.1.7. Использования принадлежностей, расходных материалов и запчастей, не рекомендованных или не одобренных производителем.
    - 6.1.8. Проникновения внутрь изделия посторонних предметов, насекомых, материалов или веществ, не являющихся отходами, сопровождающими применение по назначению, такими как стружка опилки и пр.
  - 6.2. На инструменты, подвергавшиеся вскрытию, ремонту или модификации вне уполномоченной сервисной станции.
  - 6.3. На принадлежности, запчасти, вышедшие из строя вследствие нормального износа, и расходные материалы, такие как приводные ремни, угольные щетки, аккумуляторные батареи, ножи, пилки, абразивы, пыльные диски, сверла, буры и т. п.
  - 6.4. На неисправности, возникшие в результате перегрузки инструмента, повлекшей выход из строя электродвигателя или других узлов и деталей. К безусловным признакам перегрузки изделия относятся, помимо прочего: появление цветов побежалости, деформация или оплавление деталей и узлов изделия, потемнение или обугливание изоляции проводов электродвигателя под воздействием высокой температуры.

## Область застосування

Ваш ударний дріль виробництва компанії Black & Decker був розроблений для свердління деревини, металу, пластику та цегли, а також для використання в якості шурупокрута. Цей інструмент призначений лише для побутового використання.

## Інструкції з техніки безпеки

### Загальні правила безпеки для електричного інструменту



**Попередження! Перед використанням інструменту уважно прочитайте всі попередження та інструкції.** Невиконання попереджень та інструкцій, наведених нижче, може призвести до ураження електричним струмом, пожежі та/або серйозних травм.

**Збережіть всі попередження та інструкції для використання в майбутньому.** Термін „електричний інструмент“, в усіх попередженнях стосується використовуваних вами інструментів, що працюють від мережі енергоспоживання (з використанням електричного кабелю) або акумуляторів (без кабелю).

#### 1. Безпека робочої зони

- a. **Тримайте робочу зону чистою та добре освітленою.** Неупорядковані та темні робочі зони збільшують ймовірність нещасного випадку.
- b. **Не використовуйте електричні інструменти у вибухонебезпечній атмосфері, наприклад, в присутності вогнєнебезпечних рідин, газів та пилу.** Електричні інструменти створюють іскри, що можуть запалити пил або випаровування.
- c. **Тримайте дітей та сторонніх подалі під час використання інструменту.** Відвернення уваги може призвести до втрати контролю.

#### 2. Електрична безпека

- a. **Вилка електричного інструменту має відповідати розетці. Ніколи ніяким чином не змінюйте вилку. Не використовуйте адаптерів із заземленими електричними інструментами.** Немодифіковані вилки та розетки, що підходять до них, зменшують ризик ураження електричним струмом.

- b. **Уникайте контакту тіла з заземленими поверхнями, такими як труби, радіатори, плити та холодильники.** Якщо Ваше тіло заземлене, збільшується ризик ураження електричним струмом.
  - c. **Не залишайте електричні інструменти під дощем або в умовах підвищеної вологості.** Вода, що потрапляє в електричний інструмент, підвищує ризик ураження електричним струмом.
  - d. **Не використовуйте кабель живлення не за призначенням. Ніколи не використовуйте шнур для перенесення, витягування та відключення від розетки живлення електричного інструменту. Тримайте шнур подалі від високих температур, мастила, гострих предметів та рухомих деталей.** Пошкоджені або перекручені шнури підвищують ризик ураження електричним струмом.
  - e. **При використанні електричного інструменту на вулиці, використовуйте подовжувачий шнур, що підходить для використання на вулиці.** Використання шнура, що підходить для вулиці, знижує ризик ураження електричним струмом.
  - f. **Якщо неможливо уникнути використання електричного інструменту в умовах підвищеної вологості, використовуйте живлення, захищене пристроєм залишкового струму (RCD).** Використання RCD знижує ризик ураження електричним струмом.
- #### 3. Особиста безпека
- a. **Будьте в стані готовності, дивіться, що ви робите, та використовуйте загальний глузд, коли ви працюєте з електричним інструментом. Не використовуйте електричний інструмент, коли ви втомлені або знаходитесь під впливом наркотичних речовин, алкоголю або ліків.** Втрата уваги при роботі з електричними інструментами може призвести до серйозних травм.
  - b. **Використовуйте особисті засоби безпеки. Завжди використовуйте засоби захисту очей.** Засоби безпеки, такі як протипилова маска, неслизькі безпечні чоботи, твердий капелюх та засоби захисту слухового апарату, які використані для відповідних умов, зменшують ймовірність особистих травм.
  - c. **Уникнення випадкового запуску. Переконайтесь в тому, що вимикач**

знаходиться в позиції **Викл. перед** підключенням до джерела живлення та/або акумулятора, переміщенням або перенесенням пристрою. Перенос електричних інструментів, не відпускаючи пальця з вимикача, або ввімкнення електричного інструменту з перемикачем в позиції „Ввімкнено“ може призвести до нещасного випадку.

- d. **Зніміть всі налаштувальні ключі або гайкові ключі перед тим, як вмикати електричний інструмент.** Гайковий ключ, що залишився прикріпленням до якоїсь деталі електричного пристрою, що обертається, може призвести до травм.
  - e. **Не перенапружуйтеся. Завжди утримуйте правильну постановку ніг і рівновагу.** Це дає вам змогу краще контролювати інструмент в неочікуваних ситуаціях.
  - f. **Вдягайтесь відповідним чином. Не вдягайте вільний одяг чи прикраси. Тримайте ваше волосся, одяг та рукавички подалі від рухомих деталей.** Вільний одяг, прикраси або довге волосся може зачепитися за рухомі деталі.
  - g. **Якщо передбачені пристрої для підключення до засобів виділення та збирання пилу, переконайтеся, що вони правильно підключені та використовуються.** Використання таких пристроїв зменшує ризик виникнення небезпечних ситуацій, що пов'язані з потраплянням пилу.
4. **Використання та догляд за електричним інструментом**
    - a. **Не використовуйте надмірні зусилля при роботі з інструментом. Використовуйте відповідний електричний інструмент для вашої задачі.** Правильно обраний інструмент виконає завдання краще та безпечніше за умов, для яких він був розроблений.
    - b. **Не використовуйте інструмент, вмикач якого не вмикає та не вимикає його.** Будь-який електричний інструмент, який не може управлятися вмикачем, є небезпечним і має бути відремонтований.
    - c. **Відключіть вилку від джерела живлення перед тим, як робити будь-які налаштування, зміни додаткового обладнання чи перед зберіганням**

інструменту. Ці профілактичні заходи зменшують ризик випадкового запуску електричного інструменту.

- d. **Бережіть вимкнені електричні інструменти від дітей та не дозволяйте особам, що не знайомі з електричним інструментом або цими інструкціями, використовувати електричний інструмент.** Електричні інструменти є небезпечними, якщо вони використовуються некваліфікованими користувачами.
  - e. **Технічне обслуговування електричних інструментів. Перевіряйте на відсутність вирівнювання або заїдання рухомих деталей, ушкоджених частин та інших умов, що можуть впливати на роботу електричного інструменту. Якщо є ушкодження, відремонтуйте електричний інструмент перед використанням.** Багато нещасних випадків є результатом того, що інструмент не пройшов відповідного технічного обслуговування.
  - f. **Тримайте ріжучі інструменти гострими та чистими.** Правильно доглянуті ріжучі інструменти з гострими ріжучими кромками мають меншу ймовірність заїдання, та ними легше керувати.
  - g. **Використовуйте електричний інструмент, додаткові інструменти та деталі інструменту тощо у відповідності до цих інструкцій та відповідно до даного типу електричних інструментів, зважаючи на умови використання та роботу, яка має бути виконана.** Використання електричних інструментів не за призначенням може призвести до виникнення небезпечних ситуацій.
5. **Обслуговування**
    - a. **Надавайте електричний інструмент для обслуговування кваліфікованим спеціалістом з ремонту та використовуйте тільки ідентичні замінні деталі.** Це забезпечить безпеку електричного пристрою, що обслуговується.

## Додаткові правила безпеки для електричного інструменту



**Попередження!** Додаткові попередження з техніки безпеки для дрилу та ударного дрилу

- ◆ **Використовуйте засоби захисту органів слуху при роботі з ударним дрилем.**  
Шум може викликати втрату слуху.
- ◆ **Використовуйте додаткові ручки, що постачаються з інструментом.**  
Втрата контролю над інструментом може викликати травми.
- ◆ **Тримайте електричний інструмент за ізольовану поверхню при виконанні операцій, під час яких можливий контакт із схованими дротами або власним дротом інструменту.** Різучі елементи при контакт з дротом під напругою може призвести до появи напруги в інструменті та ураження оператора електричним струмом
- ◆ Ніколи не використовуйте насадку долота у режимі обертання. Такий аксесуар може застрягти в матеріалі та повернути дріль.
- ◆ Використовуйте затискач або інший спосіб закріплення деталі, що оброблюється, на стабільній платформі. Утримування заготовки в руці та біля тіла робить її нестабільною та може призвести до втрати контролю.
- ◆ Перед свердлінням стін, підлоги та стелі переконайтесь, що в цьому місці не розташована електрична проводка та труби.
- ◆ Уникайте контакту з кінцем свердла відразу після свердління, тому що він може бути гарячим.
- ◆ Використання за призначенням описане в цьому керівництві. Використання аксесуарів або приладдя, або виконання будь-яких дій з інструментом, що суперечать рекомендаціям цього керівництва, може призвести до ризику травмування людини та/або пошкодження майна.

### Безпека сторонніх людей

- ◆ Цей інструмент не призначений для використання особами (включаючи дітей) із зниженими фізичними, сенсорними або розумовими можливостями, а також особами, які не мають досвіду та знань, за винятком випадків, коли вони працюють під наглядом або отримали відповідні інструкції щодо використання пристрою від особи, відповідальної за безпеку.
- ◆ Діти повинні знаходитись під контролем, щоб гарантувати, що вони не будуть грати з пристроєм.

### Залишкові ризики.

При використанні інструменту можуть виникнути додаткові залишкові ризики, які можуть бути не внесені до попереджень щодо техніки безпеки цього керівництва. Ці ризики можуть виникнути як результат неправильного використання, тривалого використання, тощо.

Незважаючи на виконання всіх відповідних правил техніки безпеки та використання пристроїв безпеки, неможливо уникнути деяких залишкових ризиків. Сюди належать:

- ◆ Травми через контакт з деталями, що рухаються/обертаються.
- ◆ Травми при заміні деталей, пильних полотен або аксесуарів.
- ◆ Травми через занадто тривале використання інструменту. При використанні будь-якого інструменту протягом тривалого періоду часу не забувайте робити регулярні перерви.
- ◆ Порушення слуху.
- ◆ Небезпека для здоров'я через вдихання пилу, що утворюється при використанні інструменту (наприклад, при роботі з деревом, особливо з дубом, березою та ДВП)

### Вібрація

Значення вібрації, вказані в технічних даних та в декларації про відповідність виміряні з дотриманням стандартних методів тестування, наданих в стандарті EN 60745, та їх можна використовувати для порівняння одного інструменту з іншим. Задекларовані значення вібрації можна також використовувати для попередньої оцінки впливу вібрації.

**Попередження!** Значення вібрації під час використання інструменту може відрізнятись від задекларованого в залежності від способів використання інструменту. Рівень вібрації може перевищувати вказані значення.

При оцінці впливу вібрації для визначення заходів безпеки за вимогами 2002/44/ЕС, щоб захистити людей, що регулярно використовують інструменти в роботі, необхідно враховувати реальні умови та способи використання інструменту, включаючи врахування всіх періодів робочого циклу, наприклад, часу, коли інструмент вимкнено та коли він знаходиться в режимі очікування, а також часу реальної роботи інструменту.

## Написи на інструменті

На інструменті є наступні піктограми:



**Попередження!** Щоб зменшити ризик травм, користувач повинен прочитати керівництво з експлуатації.

## Електрична безпека



Цей інструмент має подвійну ізоляцію; тому заземлення не є необхідним. Завжди перевіряйте, що джерело живлення відповідає напрузі, яка вказана на табличці з паспортними даними.

- ◆ Якщо шнур живлення пошкоджений, його необхідно замінити у виробника або в офіційному сервісному центрі Black & Decker для уникнення небезпеки.

## Деталі

Цей інструмент має деякі чи всі деталі з нижче вказаних.

1. Перемикач змінної швидкості
2. Кнопка блокування
3. Регулятор змінної швидкості
4. Перемикач вперед/назад
5. Двошвидкісний селектор
6. Вибір режиму свердління
7. Затискний патрон
8. Обмежувач глибини
9. Бокова ручка

## Зборка

**Попередження!** Перед збіркою переконайтеся, що інструмент вимкнено та вилка витягнута з розетки.

### Встановлення бокової ручки та обмежувача глибини (мал. А)

- ◆ Поверніть затискач проти годинникової стрілки так, щоб бокова ручка (9) була встановлена на передню частину інструменту.
- ◆ Поверніть бокову ручку в необхідну позицію.
- ◆ Встановіть обмежувач глибини (8) в монтажний отвір, як показано на малюнку.
- ◆ Встановіть глибину свердління, як описано нижче.
- ◆ Затягніть бокову ручку, повернувши затискач за годинниковою стрілкою.

### Встановлення глибини свердління (мал. А)

- ◆ Відпустіть бокову ручку (9), повернувши затискач проти годинникової стрілки.
- ◆ Встановіть обмежувач глибини (8) на необхідну позицію. Максимальна глибина свердління дорівнює відстані між кінцем свердла та переднім краєм обмежувача глибини.
- ◆ Затягніть бокову ручку, повернувши затискач за годинниковою стрілкою.

### Встановлення аксесуарів (мал. В - D)

#### Патрон без ключа з фіксатором шпинделя (якщо входить в комплект поставки) (мал. В)

- ◆ Відкрийте патрон (7), повертаючи втулку (11) проти годинникової стрілки.
- ◆ Вставте шпindel (12) в затискний патрон.
- ◆ Затягніть патрон, повернувши втулку за годинниковою стрілкою.

#### Затискний патрон з ключем (якщо входить в комплект поставки) (мал. С)

- ◆ Відкрийте патрон, повертаючи передню частину (13) однією рукою та утримуючи задню частину (14) другою рукою.
- ◆ Вставте шпindel (12) в патрон та добре затягніть.

#### Затискний патрон з ключем (якщо входить в комплект поставки) (мал. D)

- ◆ Відкрийте патрон, повертаючи втулку (15) проти годинникової стрілки.
- ◆ Вставте шпindel (12) в затискний патрон.
- ◆ Вставте ключ патрона (16) в кожний отвір (17) з бокової сторони патрону та повертайте за годинниковою стрілкою, доки він не буде добре затиснений.

#### Зняття та установка затискного патрона (мал. Е)

- ◆ Відкрийте патрон, як можна ширше.
- ◆ Зніміть стопорний гвинт патрона, розташований в патроні, повертаючи його за годинниковою стрілкою за допомогою викрутки.
- ◆ Закріпіть торцевий ключ в затискному патроні та вдарте по ньому молотком, як показано.
- ◆ Зніміть торцевий ключ.
- ◆ Зніміть патрон, повертаючи його проти годинникової стрілки.
- ◆ Щоб знов встановити патрон, прикріпіть його до шпинделя та закріпіть за допомогою стопорного гвинта патрону.

## Використання

**Попередження!** Інструмент повинен працювати із рекомендованою швидкістю. Не перевантажуйте його.

**Попередження!** Перед свердлінням стін, підлоги та стелі переконайтесь, що в цьому місці не розташована електрична проводка та труби.

### Вибір режиму свердління

- ◆ Для ударного свердління цегли та легкого бетону встановіть селектор вибору режиму роботи (6) в положення **Т1**.
- ◆ Для свердління металу, дерева та пластику встановіть селектор вибору режиму роботи (6) в положення **1**.

### Двошвидкісний селектор (мал. А)

- ◆ Для свердління металу та використання в якості викрутки поверніть двошвидкісний селектор (5) в положення 1, вирівнюючи стрілку (10) с цифрою 1 (1-а швидкість).
- ◆ Для свердління інших матеріалів, крім металу, поверніть двошвидкісний селектор (5) в положення 2, вирівнюючи стрілку (10) с цифрою 2 (2-а швидкість).

### Вибір напрямку обертання

Для свердління та закручування шурупів використовуйте обертання вперед (за годинниковою стрілкою). Для викручування шурупів та витягування затисненого свердла використовуйте обертання в зворотному напрямку (проти годинникової стрілки).

- ◆ Щоб обрати обертання вперед, перемістіть перемикач вперед/назад (4) вліво.
- ◆ Щоб обрати обертання назад, перемістіть перемикач вперед/назад вправо.

**Попередження!** Ніколи не змінюйте напрямок обертання, коли мотор працює.

### Вмикання та вимикання

- ◆ Щоб вимкнути інструмент, натисніть на перемикач змінної швидкості (1). Швидкість інструменту залежить від того, наскільки сильно ви натиснете на перемикач. Якщо інструмент оснащений регулятором змінної швидкості (3), встановіть його у необхідний діапазон швидкості. Загальним правилом є використання невеликих швидкостей для свердління за допомогою свердел великих діаметрів та використання більших швидкостей для свердління за допомогою свердел менших діаметрів.

- ◆ Для безперервної роботи натисніть кнопку блокування (2) та відпустіть перемикач змінної швидкості. Ця функція доступна лише при повній швидкості або при будь-якій швидкості, встановленій за допомогою регулятора змінної швидкості (3). Ця функція не працює при обертанні в зворотному напрямку.
- ◆ Щоб вимкнути інструмент, відпустіть перемикач змінної швидкості. Щоб вимкнути інструмент при безперервній роботі, натисніть на перемикач змінної швидкості знов та відпустіть його.

### Витратні матеріали

Продуктивність роботи інструменту залежить від витратних матеріалів, які Ви використовуєте. Витратні матеріали виробництва фірм Black & Decker та Piranha розроблені з дотриманням високих стандартів якості та створені для підвищення ефективності використання вашого інструменту. Використовуючи ці матеріали, Ви отримаєте максимум ефективності від вашого інструменту.

### Технічне обслуговування

Ваш пристрій виробництва компанії Black & Decker призначений для роботи протягом довгого часу з мінімальним обслуговуванням. Постійна задовільна робота залежить від правильного догляду за інструментом та регулярної очистки.

**Попередження!** Перед виконанням будь-якого технічного обслуговування інструменту зі шнуром живлення або без нього:

- ◆ Вимкніть інструмент та відключіть його від мережі живлення.
- ◆ Або вимкніть інструмент та витягніть акумулятор з нього, якщо ваш пристрій має окремий акумуляторний блок.
- ◆ Або повністю розрядіть акумулятор, якщо пристрій має вбудований акумулятор, а потім вимкніть інструмент.
- ◆ Витягніть зарядний пристрій з розетки перед очищенням. Ваш зарядний пристрій не вимагає технічного обслуговування, лише необхідно проводити регулярну очистку.
- ◆ Регулярно очищуйте вентиляційні отвори пристрою/інструменту/зарядного пристрою за допомогою м'якої щітки або сухої ганчірки.
- ◆ Регулярно очищуйте корпус мотору, використовуючи вологу ганчірку. Не

використовуйте абразивні очищувачі та засоби, що містять розчинники.

- ◆ Регулярно відкривайте затиснений патрон та струшуйте його, щоб видалити пил з середини (якщо патрон наявний).


## Заміна шнура живлення (тільки для Великобританії та Ірландії)

Якщо нові шнури живлення мають бути прилаштовані:


- ◆ Зніміть стару вилку та утилізуйте її, дотримуючись правил техніки безпеки.
- ◆ Приєднайте коричневий провідник до активного виходу нової вилки.
- ◆ Приєднайте блакитний провідник до нейтрального виходу.

**Попередження!** Жоден провідник повинен бути підключений до клеми заземлення. Дотримуйтесь інструкцій щодо налаштування, що поставляються з якісними вилками. Плавкий запобіжник, що рекомендується: 5 А.

## Захист навколишнього середовища

 Окреме збирання. Цей продукт не можна викидати разом зі звичайним побутовим сміттям.

Якщо якимось ви вирішите, що ваш виріб фірми Black & Decker має бути замінено, або він вам більше не потрібний, не викидайте його на смітний побутовий сміття. Зробіть цей виріб доступним для спеціального збирання.

 Окремий збір використаних виробів та упаковки дозволяє повторно переробляти та використовувати матеріали. Переробка повторно використаних матеріалів допомагає попередити забруднення навколишнього середовища та зменшує потребу в сировині.

Місцеві законодавчі акти можуть передбачати окремий збір електричного обладнання в муніципальних місцях для збору сміття або продавцями при покупці нового обладнання.

Компанія Black & Decker має можливість для збору та переробки продуктів власного виробництва після закінчення їхнього терміну служби. Щоб скористатися цією послугою, поверніть виріб компанії в офіційний сервісний центр, які збирають відпрацьовані продукти за наш рахунок.

Ви можете знайти місцезнаходження найближчого до Вас сервісного центру, зв'язавшись з місцевим офісом компанії Black & Decker за адресою, вказаною в цих інструкціях. Крім того, список офіційних сервісних центрів компанії Black & Decker з усіма подробицями нашого післяпродажного обслуговування та контактною інформацією міститься в Інтернеті за адресою: [www.2helpU.com](http://www.2helpU.com)

## Технічні дані

		KR7532 (Тип 1)	KR8542 (Тип 1)
Вхідна напруга	$V_{AC}$	230	230
Вхідна потужність	Вт	750	850
Швидкість на холостому ході			
	об/хв	0-1100 / 0-3100	0-1100 / 0-3100
Продуктивність при ударному свердлінні			
	уд/хв	0-18 700 / 0-52 700	0-18 700 / 0-52 700
Максимальна глибина свердління			
Цегла	мм	16	18
Сталь	мм	13	13
Деревина	мм	50	50
Вага	кг	2,5	2,6

		KR911 (Тип 1)	KR1102 (Тип 1)
Вхідна напруга	$V_{AC}$	230	230
Вхідна потужність	Вт	910	1100
Швидкість на холостому ході			
	об/хв	0-1100 / 0-3100	0-1100 / 0-3200
Продуктивність при ударному свердлінні			
	уд/хв	0-18 700 / 0-52 700	0-18 700 / 0-54 400
Максимальна глибина свердління			
Бетон	мм	18	20
Сталь	мм	13	16
Деревина	мм	50	50
Вага	кг	2,6	2,8

## Рівень звукового тиску згідно з EN 60745:

Звуковий тиск ( $L_{pA}$ ) 100 дБ(А), похибка (К) 3 дБ(А),  
Звукова потужність ( $L_{WA}$ ) 111 дБ(А), похибка (К) 3 дБ(А)



**Загальні значення вібрації (векторна сума трьох векторів) згідно з EN 60745:**

Ударне свердління цегли ( $a_{n,D}$ ) 13,5 м/с<sup>2</sup>, похибка (К)  
1,5 м/с<sup>2</sup>; Свердління металу ( $a_{n,D}$ ) 4,3 м/с<sup>2</sup>, похибка (К)  
1,5 м/с<sup>2</sup>

**Заява про відповідність ЄС**  
ДИРЕКТИВА ДЛЯ МЕХАНІЧНОГО  
ОБЛАДНАННЯ



**KR7532, KR8542, KR911, KR1102**

Компанія Black & Decker заявляє, що продукти, описані в розділі „Технічні дані“ відповідають: 2006/42/EC, EN 60745-1, EN 60745-2-1

Для отримання додаткової інформації, будь ласка, зверніться до компанії Black & Decker за наступною адресою або прочитайте інформацію на зворотній стороні цього керівництва.

Нижчепідписаний несе відповідальність за упорядкування файлу технічних характеристик та робить цю заяву від компанії Black & Decker.

Кевін Хьюїт (Kevin Hewitt)  
Віце-президент  
з глобальних розробок  
Black & Decker Europe,  
210 Bath Road, Slough,  
Berkshire, SL1 3YD  
Великобританія  
11/05/2011

- ◆ Виріб використовувався в професійних цілях та об'ємах;
- ◆ Продукт використовувався не за призначенням або не обслуговувався;
- ◆ Продукт зазнав механічних пошкоджень, викликаних зовнішніми предметами, речовинами або іншим впливом;
- ◆ Продукт намагалися відремонтувати особи, які не є працівниками офіційного сервісного центру або персоналом з ремонту компанії Black & Decker.

Щоб отримати гарантійне обслуговування, вам необхідно надати доказ покупки продавцеві або агенту з ремонту. Ви можете знайти місцезнаходження найближчого до Вас сервісного центру, зв'язавшись з місцевим офісом компанії Black & Decker за адресою, вказаною в цих інструкціях. Крім того, список офіційних сервісних центрів компанії Black & Decker з усіма подробицями нашого післяпродажного обслуговування та контактною інформацією міститься в Інтернеті за адресою: [www.2helpU.com](http://www.2helpU.com).

Будь ласка, відвідайте наш сайт [www.blackanddecker.co.uk](http://www.blackanddecker.co.uk), щоб зареєструвати свій новий продукт Black & Decker та отримувати інформацію про нові продукти та спеціальні пропозиції. Для отримання додаткової інформації про торгову марку Black & Decker та наші продукти відвідайте наш сайт за адресою [www.blackanddecker.co.uk](http://www.blackanddecker.co.uk).

## Гарантія

Компанія Black & Decker впевнена в якості своєї продукції та пропонує чудові умови гарантії. Ці гарантійні умови є додатковими та в якійсь мірі підтверджують ваші законні права. Ця гарантія є дійсною на території країн-членів Європейського Союзу та в європейській зоні вільної торгівлі.

Якщо продукт Black & Decker стає несправним через неякісні матеріали, конструкцію або невідповідність вимогам протягом 24 місяці з дня покупки, компанія Black & Decker гарантує заміну несправних деталей, ремонт продуктів, що піддалися зносу, або заміну таких продуктів для забезпечення мінімальних незручностей для споживачів, за винятком випадків, коли:

## БЛЕК ЕНД ДЕККЕР

гарантійні умови

Шановний покупцю!

1. Вітаємо Вас з покупкою високоякісного виробу компанії Black & Decker та висловлюємо Вам свою вдячність за Ваш вибір.
- 1.1. Надійна робота цього виробу на протязі всього терміну експлуатації є предметом особливої турботи наших сервісних служб. У випадку виникнення будь-яких проблем в процесі експлуатації виробу ми рекомендуємо Вам звертатися лише до авторизованих сервісних організацій, адреси та телефони яких Ви зможете знайти в Гарантійному талоні або дізнатися в магазині. Наші сервісні центри – це не тільки кваліфікований ремонт, але і широкий вибір запчастин та аксесуарів.
- 1.2. При купівлі виробу вимагайте перевірки його комплектності та справності за Вашою присутності, наявності інструкції та заповненого Гарантійного талону на українській мові. За умови відсутності у Вас правильно заповненого Гарантійного талону ми будемо вимушені відхилити Ваші претензії щодо якості цього виробу.
- 1.3. Щоб уникнути всіх непорозумінь наполегливо просимо Вас перед початком роботи з виробом уважно ознайомитись з інструкцією щодо його експлуатації.
- 1.4. Звертаємо Вашу увагу на виключно побутове призначення цього виробу.
2. Правовою основою даних гарантійних умов є діюче Законодавство та, зокрема, Закон "Про захист прав споживачів".
3. Гарантійний термін на даний виріб складає 24 місяці та починається з дня продажу через роздрібну торгову мережу. У випадку усунення недоліків виробу гарантійний термін подовжується на період, протягом якого виріб не використовувався.
4. Термін служби виробу - 5 років (мінімальний, встановлений у відповідності до Закону "Про захист прав споживачів").
5. Наші гарантійні зобов'язання поширюються тільки на несправності, виявлені протягом гарантійного терміну та обумовлені виробничими та конструктивними факторами.
6. Гарантійні зобов'язання не поширюються:
  - 6.1. На несправності виробу, що виникли в результаті:
    - 6.1.1. Недотримання користувачем вказівок інструкції з експлуатації виробу.
    - 6.1.2. Механічних пошкоджень, викликаних зовнішнім ударним або іншим впливом.
    - 6.1.3. Використання виробу в професійних цілях та об'ємах, в комерційних цілях.
    - 6.1.4. Застосування виробу не за призначенням.
    - 6.1.5. Стихійного лиха.

- 6.1.6. Несприятливому атмосферному та інших зовнішніх впливах на виріб, таких як дощ, сніг, підвищена вологість, нагрів, агресивні середовища, невідповідність параметрів електромережі параметрам, вказаним на інструменті.
- 6.1.7. Використання аксесуарів, витратних матеріалів та запчастин, які не рекомендовані або не схвалені виробником.
- 6.1.8. Проникнення всередину інструменту сторонніх предметів, комах, матеріалів або речовин, що не є відходами, які супроводжують використання інструменту за призначенням, наприклад, стружки, опилки та ін.
- 6.2. На інструменти, що були відкриті, піддані ремонту або модифікації поза уповноваженим сервісним центром.
- 6.3. На принадлежності, запчастини, що вийшли з ладу внаслідок нормального зносу, та витратні матеріали, такі як, приводні ремені, вугільні щітки, ножі, та ін.
- 6.4. На несправності, які виникли в результаті переважанення інструменту, що призвело до виходу з ладу електродвигуна або інших вузлів та деталей. До безумовних ознак переважанення виробу належать, зокрема: поява кольорів мінливості, деформація або оплавлення деталей та вузлів виробу, потемніння або обуглювання ізоляції дрітв електродвигуна під впливом високої температури.



Виробник:  
 "Stanley Black & Decker Deutschland  
 GmbH" Black-&-Decker Str.40, D-65510  
 Idstein, Німеччина

## Kullanım amacı

Black & Decker darbeli matkabınız ahşap, metal, plastik ve duvar delme işleri ve ayrıca vida takma/sökme uygulamaları için tasarlanmıştır. Bu alet sadece hafif hizmet ve hobi kullanımı içindir.

## Güvenlik talimatları

### Genel elektrikli alet güvenlik uyarıları



**Uyarı! Bütün güvenlik uyarılarını ve talimatlarını mutlaka okuyun.** Aşağıda yer alan uyarılar ve talimatların herhangi birisine uyulmaması elektrik çarpması, yangın ve/veya ciddi yaralanma riskine neden olabilir.

**Bütün uyarı ve güvenlik talimatlarını ileride bakmak üzere saklayın.** Uyarılarda yer alan «elektrikli alet» terimi şebeke elektriğiyle (kablolu) veya akü/pille (şarjlı) çalışan elektrikli aletinizi ifade etmektedir.

#### 1. Çalışma alanının güvenliği

- Çalışma alanını temiz ve aydınlık tutun.** Karışık veya karanlık alanlar kazaya davetiye çıkarır.
- Elektrikli aletleri, yanıcı sıvılar, gazlar ve tozların bulunduğu yerler gibi yanıcı ortamlarda çalıştırmayın.** Elektrikli aletler, toz veya dumanları ateşleyebilecek kıvılcımlar çıkarır.
- Bir elektrikli aleti çalıştırırken çocuklardan ve etraftaki kişilerden uzak tutun.** Dikkatinizi dağıtıcı şeyler kontrolü kaybetmenize neden olabilir.

#### 2. Elektrik güvenliği

- Elektrikli aletlerin fişleri prizlere uygun olmalıdır. Fiş üzerinde kesinlikle hiçbir değişiklik yapmayın. Topraklı elektrikli aletlerde hiçbir adaptör fişi kullanmayın.** Değiştirilmemiş fişler ve uygun prizler elektrik çarpması riskini azaltacaktır.
- Borular, radyatörler, ocaklar ve buzdolapları gibi topraklanmamış yüzeylerle vücut temasından kaçının.** Vücudunuzun topraklanması halinde yüksek bir elektrik çarpması riski vardır.
- Elektrikli aletleri yağmura maruz bırakmayın veya ıslatmayın.** Elektrikli alete su girmesi elektrik çarpması riskini arttıracaktır.
- Elektrik kablosunu uygun olmayan amaçlarla kullanmayın. Elektrikli aleti kesinlikle kablosundan tutarak taşımayın,**

**çekmeyin veya prizden çıkartmayın. Kabloyu sıcaktan, yağdan, keskin kenarlardan veya hareketli parçalardan uzak tutun.** Hasarlı veya dolaşmış kablolar elektrik çarpması riskini artırır.

- Elektrikli bir aleti açık havada çalıştırıyorsanız, açık havada kullanıma uygun bir uzatma kablosu kullanın.** Açık havada kullanıma uygun bir kablolu kullanılması elektrik çarpması riskini azaltır.
  - Eğer bir elektrikli aletin nemli bir bölgede çalıştırılması zorunluysa, bir artık akım aygıtı (RCD) korumalı bir kaynak kullanın.** Bir RCD kullanılması elektrik şoku riskini azaltır.
- ### 3. Kişisel güvenlik
- Elektrikli bir aleti kullanırken her zaman dikkatli olun, yaptığınız işe yoğunlaşın ve sağduyulu davranın. Elektrikli bir aleti yorgunken veya ilaç ya da alkolün etkisi altındayken kullanmayın.** Elektrikli aletleri kullanırken bir anlık dikkatsizlik ciddi kişisel yaralanmayla sonuçlanabilir.
  - Kişisel koruyucu ekipmanları mutlaka kullanın. Daima koruyucu gözlük takın.** Koşullara uygun toz maskesi, kaymayan güvenlik ayakkabıları, baret veya kulaklık gibi koruyucu donanımların kullanılması kişisel yaralanmaları azaltacaktır.
  - İstem dışı çalıştırılmasını önleyin. Aleti güç kaynağına ve/veya aküye bağlamadan, yerden kaldırmadan veya taşımadan önce düğmenin kapalı konumda olduğundan emin olun.** Aleti, parmağınız düğme üzerinde bulunacak şekilde taşımak veya açık konumdaki elektrikli aletleri elektrik şebekesine bağlamak kazaya davetiye çıkarır.
  - Elektrikli aleti açmadan önce tüm ayarlama anahtarlarını çıkartın.** Elektrikli aletin hareketli bir parçasına takılı kalmış bir anahtar kişisel yaralanmaya neden olabilir.
  - Ulaşmakta zorlandığınız yerlerde kullanmayın. Daima sağlam ve dengeli basın.** Bu, beklenmedik durumlarda elektrikli aletin daha iyi kontrol edilmesine olanak tanır.
  - Uygun şekilde giyinin. Bol elbiseler giymeyin ve takı takmayın. Saçınızı, elbiselerinizi ve eldivenlerinizi hareketli parçalardan uzak tutun.** Bol elbiseler ve takılar veya uzun saç hareketli parçalara takılabilir.
  - Eğer kullandığınız üründe toz emme ve toplama özellikleri olan ataşmanlar varsa**

bu onların bağlı olduğundan ve doğru şekilde kullanıldığından emin olun. Bu toplama ataşmanların kullanılması tozla ilgili tehlikeleri azaltabilir.

4. **Elektrikli aletlerin kullanımı ve bakımı**
  - a. **Elektrikli aleti zorlamayın. Uygulamanız için doğru elektrikli aleti kullanın.** Doğru elektrikli alet, belirlendiği kapasite ayarında kullanıldığında daha iyi ve güvenli çalışacaktır.
  - b. **Düğme açmıyor ve kapatmıyorsa elektrikli aleti kullanmayın.** Düğmeyle kontrol edilemeyen tüm elektrikli aletler tehlikelidir ve tamir edilmesi gerekmektedir.
  - c. **Herhangi bir ayarlama, aksesuar değişimi veya elektrikli aletlerin saklanması öncesinde fişi güç kaynağından çekin ve/veya aküyü elektrikli aletten ayırın.** Bu tür önleyici güvenlik tedbirleri aletin istem dışı olarak çalıştırılması riskini azaltacaktır.
  - d. **Elektrikli aleti, çocukların ulaşamayacağı yerlerde saklayın ve elektrikli aleti tanımayan veya bu talimatları bilmeyen kişilerin elektrikli aleti kullanmasına izin vermeyin.** Elektrikli aletler, eğitimsiz kullanıcıların elinde tehlikelidir.
  - e. **Elektrikli aletleri iyi durumda muhafaza edin. Hareketli parçalardaki hizalama hatalarını ve tutuklukları, parçalardaki kırılmalar ve elektrikli aletin çalışmasını etkileyebilecek tüm diğer koşulları kontrol edin. Hasarlı ise, elektrikli aleti kullanmadan önce tamir ettirin.** Kazaların çoğu, elektrikli aletlerin bakımının yeterli şekilde yapılmamasından kaynaklanır.
  - f. **Kesim aletlerini keskin ve temiz tutun.** Bakımı uygun şekilde yapılmış keskin kesim uçlu kesim aletlerinin sıkışma ihtimali daha düşüktür ve kontrol edilmesi daha kolaydır.
  - g. **Elektrikli aleti, aksesuarlarını ve aletin diğer parçalarını kullanırken bu talimatlara mutlaka uyun ve çalışma ortamının koşullarını ve yapılacak işin ne olduğunu göz önünde bulundurun.** Elektrikli aletin öngörülen işlemler dışındaki işlemler için kullanılması tehlikeli durumlara neden olabilir.
5. **Servis**
  - a. **Elektrikli aletinizi, sadece orijinal yedek parçaların kullanıldığı yetkili servise tamir ettirin.** Bu, elektrikli aletin güvenliğinin muhafaza edilmesini sağlayacaktır.

## Elektrikli el aletleri için ek güvenlik talimatları



**Uyarı!** Matkaplar ve darbeli matkaplar için ek güvenlik talimatları

- ◆ **Darbeli matkap ile çalışırken kulaklık takın.** Yüksek sese maruz kalmak işitme kaybına yol açabilir.
  - ◆ **Aletle birlikte verilmiş olan yardımcı tutma kollarını kullanın.** Kontrol kaybı kişisel yaralanmalara neden olabilir.
  - ◆ **Kesme aksesuarının gizli kabloları veya kendi kablosuna temas edebileceği yerlerde çalışma yaparken elektrikli aleti yalıtımlı kavrama yüzeylerinden tutun.** Kesme aksesuarının «akım taşıyan» bir kabloya temas etmesi durumunda elektrikli aletin metal kısımları da «akım taşıyıcı» hale gelecek ve kullanıcının elektrik çarpmasına neden olabilir.
  - ◆ Hiçbir zaman dönme konumunda kırıcı uç kullanmayın. Aksesuar malzeme içinde sıkışacak ve matkabı döndürecekler.
  - ◆ Üzerinde çalıştığınız parçayı sabitlemek ve desteklemek için kelepçeler veya başka pratik yöntemler kullanın. Parçayı elle veya vücudunuza dayamanız dengesiz durmasına neden olacaktır ve aletin kontrolünü kaybetmenize yol açabilir.
  - ◆ Duvar, zemin veya tavanda delik açmadan önce kablo ve boruların konumunu kontrol edin.
  - ◆ Delme işleminin hemen ardından matkap ucuna dokunmaktan kaçınınız; sıcak olabilir.
  - ◆ Kullanım amacı bu kullanım kılavuzunda açıklanmıştır. Herhangi bir aksesuarın veya bağlantının ya da işlemin, bu kılavuzda tavsiye edilen şekilden başka bir şekilde kullanılması şahısların yaralanmalarına ve/veya mal kaybına yol açabilir.
- ### Diğer kişilerin güvenliği
- ◆ Bu alet fiziksel ve zihinsel kapasitesinin yanı sıra algılama gücü azalmış olan veya yeterince deneyim ve bilgisi bulunmayan kişiler (çocuklar dahil) tarafından kullanılmak üzere üretilmemiştir. Bu tür kişilerin aleti ancak güvenliklerinden sorumlu bir kişi tarafından cihazın kullanımıyla ilgili talimatların verilmesi veya sürekli kontrol altında tutulması durumunda kullanılabilir.
  - ◆ Çocuklar, aletle oynamalarını önlemek amacıyla kontrol altında tutulmalıdır.

## Diğer tehlikeler

Aletin kullanımıyla ilgili ekte sunulan güvenlik uyarılarına dahil olmayan ilave kalıcı riskler ortaya çıkabilir. Bu riskler, hatalı, uzun süreli kullanım vb. dolayısıyla ortaya çıkabilir.

Emniyet tedbirlerini düzenleyen yönetmeliğin uygulanmasına ve emniyet sağlayıcı aygıtların kullanılmasına rağmen, başka belirli risklerden kaçınılamaz. Bunlar:

- ◆ Aletin dönen ve hareket eden parçalarına dokunma sonucu ortaya çıkan yaralanmalar.
- ◆ Herhangi bir parçayı, bıçak veya aksesuarı değiştirirken ortaya çıkan yaralanmalar.
- ◆ Aletin uzun süreli kullanılması sonucu ortaya çıkan yaralanmalar. Herhangi bir aleti uzun sürelerle kullanacaksanız düzenli olarak çalışmanıza ara verin.
- ◆ Duyuma bozukluğu.
- ◆ Aleti kullanırken ortaya çıkan tozun solunması sonucu ortaya çıkan sağlık sorunları (örnek: ahşapta çalışırken, özellikle meşe, akgürgen ve MDF).

## Titreşim

Teknik veriler ve uygunluk beyanatı içerisinde belirtilen titreşim emisyon değerleri EN60745 tarafından belirlenen standart bir test yönteminde uygun olarak ölçülmektedir ve diğer bir aletle karşılaştırma yaparken kullanılabilir. Beyan edilen titreşim emisyon değeri aynı zamanda maruz kalmanın önceden değerlendirilmesinde de kullanılabilir.

**Uyarı!** Elektrikli aletin mevcut kullanımını sırasındaki titreşim emisyon değeri, aletin kullanım yöntemine bağlı olarak, beyan edilen değere göre farklılık sergileyebilir. Titreşim düzeyi belirlenen seviyenin üzerinde artış gösterebilir.

İşyerinde düzenli olarak elektrikli alet kullanan çalışanları korumak amacıyla 2002/44/EC tarafından getirilen elektrik güvenliği önlemlerini belirlemek üzere titreşime maruz kalmayı değerlendirirken, çalışma döngüsü içerisinde örneğin aletin kapalı olduğu ve aktif durumda olmasının yanı sıra boşta çalıştığı zamanlar gibi, bütün zaman dilimleri dahil olmak üzere mevcut kullanım durumu ve aletin kullanım şekli göz önünde bulundurularak değerlendirilmelidir.

## Alet üzerindeki etiketler

Alet üzerinde, aşağıdaki uyarı sembolleri bulunmaktadır:



**Uyarı!** Yaralanma riskini en aza indirmek için kullanıcı kullanım talimatlarını mutlaka okumalıdır.

## Elektrik güvenliği



Bu alet çift yalıtımlıdır. Bu yüzden hiçbir topraklama kablosuna gerek yoktur. Her zaman şebeke geriliminin aletin üretim etiketinde belirlenmiş değerlere uyup uymadığını kontrol edin.

- ◆ Elektrik kablosu hasarlı ise, bir tehlike oluşmasını önlemek için üretici ya da yetkili Black & Decker Servis Merkezi tarafından değiştirilmelidir.

## Özellikler

Bu alet, aşağıdaki özelliklerin bir kısmını veya tümünü içermektedir.

1. Değişken hız ayarlı tetik
2. Kesintisiz çalıştırma düğmesi
3. Değişken hız kontrol düğmesi
4. İleri/geri düğmesi
5. Vites mandalı
6. Delme modu seçicisi
7. Mandren
8. Derinlik çubuğu
9. Yan kol

## Montaj

**Uyarı!** Montajdan önce aletin kapalı ve fişinin çekilmiş olduğundan emin olun.

## Yan kol ve derinlik çubuğunun takılması (Şekil A)

- ◆ Tutamağı, yan kol (9) aletin ön kısmının üzerine kaydırabilir duruma gelene kadar saatin ters yönünde çevirin.
- ◆ Yan kolu istediğiniz konuma çevirin.
- ◆ Derinlik çubuğunu (8) resimde gösterildiği gibi montaj deliğine takın.
- ◆ Delme derinliğini aşağıda açıklandığı şekilde ayarlayın.
- ◆ Tutamağı saat yönünde çevirerek yan kolu sıkın.

## Delme derinliğinin ayarlanması (Şekil A)

- ◆ Tutamağı saatin tersi yönde çevirerek yan kolu (9) gevşetin.
- ◆ Derinlik çubuğunu (8) istediğiniz konuma ayarlayın. Maksimum delme derinliği, matkap ucunun uç kısmı ile derinlik çubuğunun ön ucu arasındaki mesafeye eşittir.
- ◆ Tutamağı saat yönünde çevirerek yan kolu sıkın.

## Aksesuar takılması (Şekil B-D)

### Mil kilitli anahtarsız mandren (Belirli modellerde) (Şekil B)

- ◆ Kovanı (11) saatin tersi yönde çevirerek mandreni (7) açın.
- ◆ Ucun mil kısmını (12) mandrene sokun.
- ◆ Kovanı saat yönünde döndürerek mandreni sıkın.

### Anahtarsız mandren (Belirli modellerde) (Şekil C)

- ◆ Bir elinizle arka kısmı (14) tutarken diğer elinizle ön kısmı (13) çevirerek mandreni açın.
- ◆ Ucun mil kısmını (12) mandrene sokun ve mandreni sonuna kadar sıkın.

### Anahtarlı mandren (Belirli modellerde) (Şekil D)

- ◆ Kovanı (15) saatin tersi yönde çevirerek mandreni açın.
- ◆ Ucun mil kısmını (12) mandrene sokun.
- ◆ Mandren anahtarını (16) mandrenin yan tarafındaki her bir deliğe (17) yerleştirin ve sıkışana kadar saat yönünde döndürün.

### Mandrenin çıkarılması ve yeniden takılması (Şekil E)

- ◆ Mandreni mümkün olduğunca açın.
- ◆ Mandrenin içindeki tutucu vidayı çıkarmak için, bir tornavidayla saat yönünde döndürün.
- ◆ Mandrenin içine bir Allen anahtarı takarak sıkın ve gösterildiği gibi bir çekiçle anahtara vurun.
- ◆ Allen anahtarını çıkarın.
- ◆ Mandreni saat yönünün tersine döndürerek çıkarın.
- ◆ Mandreni tekrar takmak için, onu milin üzerine vidalayın ve mandren tutucu vidayla sabitleyin.

## Kullanımı

**Uyarı!** Aletin kendi hızında çalışmasına izin verin. Aşırı yüklenmeyin.

**Uyarı!** Duvar, zemin veya tavanda delik açmadan önce kablo ve boruların konumunu kontrol edin.

## Delme modunun seçilmesi

- ◆ Duvar ve betonda darbeli delme için çalışma modu seçicisini (6) **T1** konumuna getirin.
- ◆ Çelik, ahşap ve plastiği delmek için çalışma modu seçicisini (6) **2** konumuna getirin.

## Vites mandalı (Şekil A)

- ◆ Çeliğe delik açmak ve vida takıp sökmek için oku (10) 1 numaraya (1. vites) hizalayarak vites mandalını (5) 1 konumuna getirin.

- ◆ Çelik dışında bir maddeyi delme uygulamaları için oku (10) 2 numaraya (2. vites) hizalayarak vites mandalını (5) 2 konumuna getirin.

## Dönme yönünün seçilmesi

Delik açma ve vida sıkma uygulamaları için ileri (saat yönünde) dönmeyi kullanın. Vidaları gevşetmek veya sıkışmış bir matkap ucunu çıkartmak için geri (saatin ters yönünde) dönmeyi kullanın.

- ◆ İleri dönmeyi seçmek için ileri/geri sürgüsünü (4) sola itin.
- ◆ Geri dönmeyi seçmek için ileri/geri sürgüsünü sağa itin.

**Uyarı!** Dönme yönünü kesinlikle motor çalışır durumdayken değiştirmeyin.

## Açılması ve kapatılması

- ◆ Aleti açmak için, değişken hız düğmesine (1) basın. Aletin hızı, düğmeye ne kadar bastığınıza bağlıdır. Alette değişken hız kontrol düğmesi (3) varsa gerekli hız aralığına ayarlayın. Genel kural olarak, büyük çaplı uçlar için düşük hız, küçük çaplı uçlar içinse yüksek hız seçin.
- ◆ Sürekli çalışması için kesintisiz çalıştırma düğmesine (2) basın ve değişken hız düğmesini bırakın. Bu seçenek sadece tam hızda veya değişken hız kontrol düğmesi ile (3) önceden ayarlanmış herhangi bir hızda kullanılabilir. Bu seçenek ters dönmeye çalışmaz.
- ◆ Aleti kapatmak için, değişken hız düğmesini bırakın. Kesintisiz çalışma konumundayken aleti kapatmak için değişken hız düğmesine bir kez daha basın ve bırakın.

## Aksesuarlar

Aletinizin performansı kullanılan aksesuara bağlıdır. Black & Decker ve Piranha aksesuarları, yüksek kalite standartlarına göre üretilmiş ve aletinizin performansını arttıracak şekilde tasarlanmıştır. Bu aksesuarları kullanarak, aletinizden en iyi verimi alacaksınız.

## Bakım

Black & Decker elektrikli/şarjlı aletinizin minimum bakımla uzun bir süre çalışacak şekilde tasarlanmıştır. Kesintisiz olarak memnuniyet verici bir şekilde çalışması gerekli özenin gösterilmesine ve düzenli temizliğe bağlıdır.

**Uyarı!** Elektrikli/şarjlı alet üzerinde herhangi bir bakım işlemi gerçekleştirmeden önce:

- ◆ Aleti kapatın ve fişten çekin.

- ◆ Veya aletin çıkartılabilir aküsü varsa; aleti kapatın ve aküyü aletten çıkartın.
- ◆ Veya aletin dahili aküsü varsa, bitene kadar çalıştırın ve sonra kapatın.
- ◆ Şarj cihazını temizlemeden önce fişten çekin. Şarj cihazınız, düzenli temizlik dışında herhangi bir bakım gerektirmemektedir.
- ◆ Aletinizdeki ve şarj cihazındaki havalandırma deliklerini yumuşak bir fırça veya kuru bir bezle düzenli olarak temizleyin.
- ◆ Motor muhafazasını düzenli olarak nemli bir bezle silin. Aşındırıcı veya çözücü bazlı temizleyiciler kullanmayın.
- ◆ Mandreni düzenli olarak tamamen açın ve içindeki tozu dökmek için hafifçe vurun (mandren alete takılıysa).

## Çevrenin korunması



Ayrı olarak atın. Bu ürün, normal evsel atıklarla birlikte atılmamalıdır.

Black & Decker ürününüzün değiştirilmesi gerektiğini düşünmeniz veya artık kullanılamaz durumda olması halinde onu, evsel atıklarla birlikte atmayın. Bu ürünü, ayrı olarak toplanacak şekilde atın.



Kullanılmış ürünlerin ve ambalajların ayrı olarak toplanması bu maddelerin geri dönüşüme sokularak yeniden kullanılmasına olanak tanır. Geri dönüşümlü maddelerin tekrar kullanılması çevre kirliliğinin önlenmesine yardımcı olur ve ham madde ihtiyacını azaltır.

Yerel yönetmelikler, elektrikli ürünlerin evlerden toplanıp belediye atık tesislerine aktarılması veya yeni bir ürün satın alırken perakende satıcı tarafından toplanması yönünde hükümler içerebilir.

Black & Decker, hizmet ömrünün sonuna ulaşan Black & Decker ürünlerinin toplanması ve geri dönüşüme sokulması için bir imkân sunmaktadır. Bu hizmetin avantajlarından faydalanmak için, lütfen, ürününüzü bizim adımıza teslim alacak herhangi bir yetkili servise iade edin.

Bu kılavuzda belirtilen listeden size en yakın yetkili tamir servisinin yerini öğrenebilirsiniz. Ya da, alternatif olarak internet'ten Black & Decker yetkili tamir servislerinin listesini ve satış sonrası hizmetlerimizle ilgili tüm bilgiler ve temas bilgilerine aşağıdaki siteden ulaşabilirsiniz.

[www.2helpU.com](http://www.2helpU.com)

## Teknik özellikleri

		KR7532 (Type 1)	KR8542 (Type 1)
Giriş voltajı	V <sub>AC</sub>	230	230
Giriş gücü	W	750	850
Yüksüz hızı	dev/dak	0-1100 / 0-3100	0-1100 / 0-3100
Darbe oranı	darbe/dak	0-18 700 / 0-52 700	0-18 700 / 0-52 700

Maks. delme kapasitesi

Beton	mm	16	18
Çelik	mm	13	13
Ahşap	mm	50	50
Ağırlık	kg	2,5	2,6

		KR911 (Type 1)	KR1102 (Type 1)
Giriş voltajı	V <sub>AC</sub>	230	230
Giriş gücü	W	910	1100
Yüksüz hızı	dev/dak	0-1100 / 0-3100	0-1100 / 0-3200
Darbe oranı	darbe/dak	0-18 700 / 0-52 700	0-18 700 / 0-54 400

Maks. delme kapasitesi

Beton	mm	18	20
Çelik	mm	13	16
Ahşap	mm	50	50
Ağırlık	kg	2,6	2,8

### EN 60745'e göre ses basıncı düzeyi:

Ses basıncı (L<sub>pA</sub>) 100 dB(A), belirsizlik (K) 3 dB(A), Akustik güç (L<sub>WA</sub>) 111 dB(A), belirsizlik (K) 3 dB(A)

### EN 60745'e göre tespit edilen toplam titreşim değerleri (üç yönün vektör toplamı):

Betonda darbeli delme (a<sub>h, ID</sub>) 13,5 m/s<sup>2</sup>, belirsizlik (K) 1,5 m/s<sup>2</sup>, Metalde delme (a<sub>h, D</sub>) 4,3 m/s<sup>2</sup>, belirsizlik (K) 1,5 m/s<sup>2</sup>

## AT Uygunluk Beyanatı

### MAKİNE DİREKTİFİ



**KR7532, KR8542, KR911, KR1102**

Black & Decker, «teknik özellikleri» bölümünde açıklanan bu ürünlerin aşağıda belirtilen yönergelere uygun olduğunu beyan eder:  
2006/42/EC, EN 60745-1, EN 60745-2-1

Daha fazla bilgi için, lütfen aşağıdaki adresten Black & Decker ile irtibata geçin veya kılavuzun arkasına bakın.

Bu belge altında imzası bulunan yetkili, teknik dosyanın derlenmesinden sorumludur ve bu beyanı Black & Decker adına vermiştir.

Kevin Hewitt  
Başkan Yardımcısı,  
Global Mühendislik  
Black & Decker Europe,  
210 Bath Road, Slough,  
Berkshire, SL1 3YD  
İngiltere  
11/05/2011

Garanti talebinde bulunmak için, satıcıya veya yetkili tamir servisine satın aldığınıza dair ispat sunmalısınız. Fatura ve garanti kartı gerekmektedir. Bu kılavuzda belirtilen listeden size en yakın yetkili tamir servisinin yerini öğrenebilirsiniz. Ya da, alternatif olarak internet'ten Black & Decker yetkili tamir servislerinin listesini ve satış sonrası hizmetlerimizle ilgili tüm bilgiler ve temas bilgilerine aşağıdaki siteden ulaşabilirsiniz.  
**www.2helpU.com**

Sanayi ve Ticaret Bakanlığı tebliğince kullanım ömrü 10 yıldır.

**Türkiye Distribütörü**  
KALE HIRDAVAT VE MAKİNA A.Ş.  
Defterdar Mah. Savaklar Cad. No. 15  
34050 Edirnekapı Eyüp İstanbul

## Garanti

Black & Decker, ürünün kalitesinden emindir ve bu yüzden kanunlarda belirtilen taleplerin üstünde bir garanti verir. Ayrıca bu garanti hiçbir şekilde garanti ile ilgili kanuni haklarınızı ihlal etmez ve haklarınızı hiç bir şekilde kısıtlamaz. İşbu garanti Avrupa Birliği'ne üye ülkeler ile Avrupa Serbest Ticaret Bölgesi sınırları dahilinde geçerlidir.

Eğer bir Black & Decker ürünü, satın alma tarihinden itibaren 24 ay içinde hatalı malzeme, işçilik ya da uygunsuzluk nedeniyle bozulursa, müşteriye mümkün olabilecek en az sorunu yaşatarak Black & Decker hatalı kısımları değiştirmeyi, adil bir şekilde aşınmış ve yıpranmış ürünleri tamir etmeyi veya değiştirmeyi garanti eder. Ancak bu belirtilenler şu durumlar dışında geçerlidir:

- ◆ Ürün ticari veya profesyonel amaçlarla kullanılmışsa veya kiraya verilmişse;
- ◆ Ürün yanlış veya amaç dışı kullanılmışsa;
- ◆ Ürün yabancı nesnelere, maddelere veya kaza sırasında zarar görmüşse;
- ◆ Yetkili tamir servisleri veya Black & Decker servis ekibinden başkası tarafından tamir edilmeye çalışılmışsa.



No.	İl	Yetkili Servis	Adres	Telefon
1	Adana	<b>Emin Elektrik Bobinaj</b>	Kızılay Cad. 9. Sok. No: 9/D	0322 351 80 46
2	Afyon	<b>Emek Motor</b>	Karaman Mah. Gazlı Göl Cad. No: 15	0272 212 11 14
3	Ağrı	<b>Tamgüç Bobinaj</b>	Kağızman Cad. No: 42	0472 215 70 41
4	Ankara	<b>Orhan Bobinaj</b>	Yalınç Sok. No: 17 Siteleer	0312 385 92 92
5	Ankara	<b>Yiğit Bobinaj</b>	668. Sok. No: 8 Eminel Koop. İvedik / Ostim	0312 395 05 37
6	Antalya	<b>E.B.A. Elektrik</b>	San. Sit. 682. Sok. No: 38	0242 345 36 22
7	Aydın	<b>Saydam Motor Yedek Parça</b>	Küçük San. Sit. Çubukçu Sok. No: 2/B Söke Aydın	0256 512 81 91
8	Bursa	<b>Vokart</b>	Gazlılar Cad. Erikli Bahçe Sok. No: 7/B	0224 254 48 75
9	Bursa	<b>Vokart</b>	Beşevler Küçük San. Sit. 47. Sok. Parkoop No: 67 Nilüfer	0224 441 57 00
10	Çanakkale	<b>Kısacık Bobinaj</b>	Namık Kemal Mah. Kaynak Sok. No: 41	0286 217 96 71
11	Çanakkale	<b>Ovalı Bobinaj</b>	Hamdibey Mah. İstiklal Cad. No: 160	0286 316 49 66
12	Çorum	<b>Emek Bobinaj</b>	Küçük San. Sit. 23. Cad. No: 5/C Cami Yanı	0364 234 68 84
13	Diyarbakır	<b>Çetsan Elektrik</b>	San. Sit. Karakol Sok. No: 1	0412 223 72 77
14	Elazığ	<b>Kalender Elektrik Bobinaj</b>	San. Sit. 11. Sok. No: 46	0424 224 85 01
15	Erzurum	<b>Bursan Bobinaj</b>	San. Sit. 5. Blok No: 135	0442 242 77 28
16	Eskişehir	<b>Escom Elektronik</b>	Kırmızı Toprak Mah. Ali Fuat Güven Cad. No: 31/A	0222 224 15 30
17	Isparta	<b>İzmir Bobinaj</b>	Yeni San. Sit. 6. Blok No: 28	0246 223 70 11
18	Mersin	<b>Şekerler Elektrik Bobinaj</b>	Nusratiye Mah. 5005 Sok. No: 20/A	0324 336 70 98
19	Mersin	<b>Üniversal Bobinaj</b>	Nursatıye Mah. Çiftçiler Cad. 68 Sok. No:19	0324 233 44 29
20	İstanbul	<b>Akel</b>	Nato Yolu Cad. Özgün Sok. No: 1 Y. Dudullu	0216 540 53 55
21	İstanbul	<b>Fırat Dış Ticaret</b>	Tersane Cad. Kuthan No: 38 Kat: 3 Karaköy	0212 252 93 43
22	İstanbul	<b>Kardeşler Bobinaj Elektrik</b>	Çağlayan Mah. Sinanpaşa Cad. No: 5 Çağlayan	0212 224 97 54
23	İstanbul	<b>Mert Elektrik</b>	İkitelli Org. Demirciler San. Sit. D-2BL. No: 280 İkitelli	0212 549 65 78
24	İstanbul	<b>SVS Teknik</b>	Evlıya Çelebi Mah. İstasyon Cad. Gibtaş San. Sit. F Blok No: 24 Tuzla	0216 446 69 39
25	İstanbul	<b>Orijinal Elektrik</b>	Bağlar Mah. Mimar Sinan Cad. No: 24 Güneşli – Bağcılar	0212 515 67 71
26	İstanbul	<b>Tarik Makina</b>	Bağdat Cad. Adalı Sk. No: 8 Maltepe	0216 370 21 11
27	İzmir	<b>Doruk Hırdavat</b>	1426 Sok. No: 14 Hurdacılar Sit. Doğanlar/Bornova	0232 478 14 12
28	İzmir	<b>Boro Civata</b>	1203/2. Sok. No: 21/B Gıda Çarşısı Yenişehir	0232 469 80 70
29	İzmir	<b>Çetin Bobinaj</b>	Cüneyt Bey Mah. İbrahim Turan Cad. No: 98/A Menderes	0232 782 10 84
30	İzmir	<b>Doruk Hırdavat</b>	1426 Sok. No: 14 Hurdacılar Sit. Doğanlar/Bornova	0232 478 14 12
31	Kastamonu	<b>Mert Bobinaj</b>	San. Çarşısı 4. Blok No: 35	0366 212 38 89
32	Kayseri	<b>Akın Elektrik Bobinaj</b>	Eski San. Böl. 5. Cad. No: 8	0352 336 41 23
33	Kocaeli	<b>Gülsoy Bobinaj Makina</b>	S.Orhan Mah. İlyasbey Cad. 1111 Sok. No: 5/1 Gebze	0262 646 92 49
34	Gebze	<b>Teknik Karot</b>	Gaziler Mah. İbrahimğa Cad. No: 125	0262 642 79 10
35	Malatya	<b>Özer Bobinaj</b>	Yeni San. Sit. 2. Cad. No: 95	0422 336 39 53
36	Muğla	<b>Bodrum Makina</b>	Türkkuyusu Mah. San. Sit. Ethem Demiröz Sok. No: 8	0252 316 28 51
37	Muğla	<b>General Elektrik Bobinaj</b>	Taşyaka Mah. San. Sit. 260. Sok. No: 18 Fethiye	0252 612 38 34
38	Muğla	<b>Öztürk Bobinaj İnşaat</b>	Atakent Mah. Çevreyolu Üzeri	0252 697 64 98
39	Nevşehir	<b>Çiftgüç</b>	Yeni San. Sit. 8 Blok No: 28	0384 213 19 96
40	Niğde	<b>Emek Motor</b>	Eski San. Çarşısı 1. BL. No: 2 Niğde	0388 232 83 59
41	Adapazarı	<b>Engin Elektrik Bobinaj</b>	Maltepe Mah. Orhan Gazi Cad. (Tek Yokuşu) Şehit Metin Akkuş Sok. No: 19	0264 291 05 67
42	Sivas	<b>Bayraktar Elektrik</b>	Yeni Çarşı No: 72 C	0346 221 47 55
43	Tekirdağ	<b>Birkan</b>	Şeyh Sinan Mah. Ş. Pilot İhsan Aksoy Sok. Aksoy Pasajı No: 20/7-B	0282 654 50 91
44	Tokat	<b>Çetin Elektrik Bobinaj</b>	San. Sit. Cami Altı No: 22	0356 214 63 07
45	Uşak	<b>Zengin Bobinaj</b>	İslıce Mah. Ürem Sok. No: 10/C	0276 227 27 46
46	Van	<b>Özen Elektrik Bobinaj</b>	Alçekiç Pasajı No: 41	0432 214 22 20
47	Zonguldak	<b>Genel Elektromotor</b>	Çınarstepe Mah. T.T.K 69 Ambarları 4. Kısım	0372 268 08 64
48	Zonguldak	<b>Tümen Bobinaj</b>	Kışla San. Sit. D Blok No: 17 Kdz. Ereğli	0372 323 74 97
49	Yalova	<b>Kale İnşaat</b>	Hürriyet Mah. Eski Bursa Cad. No: 39 Altınova	0226 461 22 43
50	Düzce	<b>Yıldız Makina</b>	Burhaniye Mah. Gen. Kazım Sok. No: 10	0380 514 70 56

